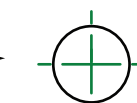


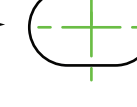


HOLE LEGEND

3/8" Diameter Bolt** → 

1/4" Diameter Carriage Bolt → 

1/2" Diameter Carriage Bolt → 

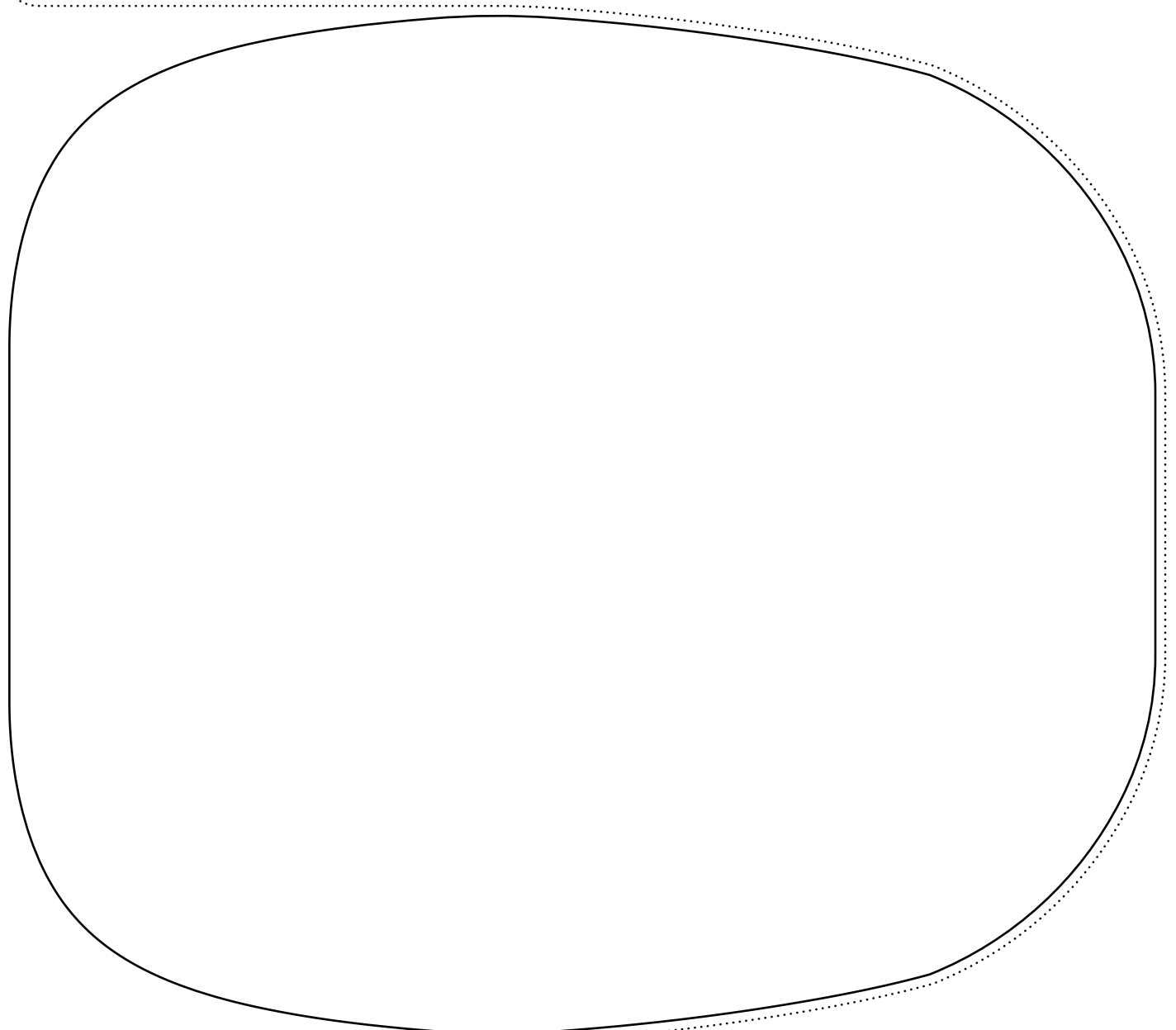
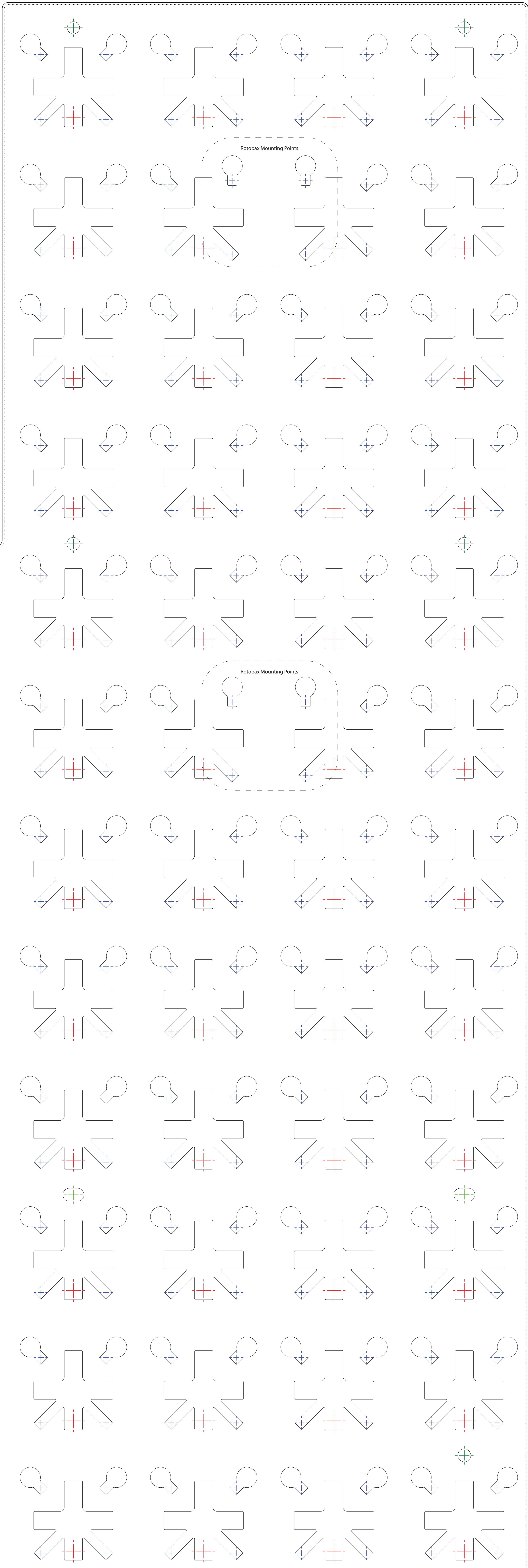
3/8" Diameter Carriage Bolt → 

** Round hole will not keep carriage bolt from spinning.

Using Template as Drill guide:

- 1) Place item to be mounted onto the template in the desired location.
- 2) Trace item outline onto template
- 3) Remove item and cut out the outline created.
- 3) On the cutout, Identify and mark any applicable mounting hole locations to be used.
- 4) Align the cutout portion of the template to the backside of the part and transfer hole locations.
- 5) Drill the desired hole locations into the item to mount.

IMPORTANT: Note the differing sizes of hardware required for different locations. Be sure to drill the correct sized hole for the hardware being used.



Attachment Area

Panel Outline