



nVader

BY [FLARESPACE]

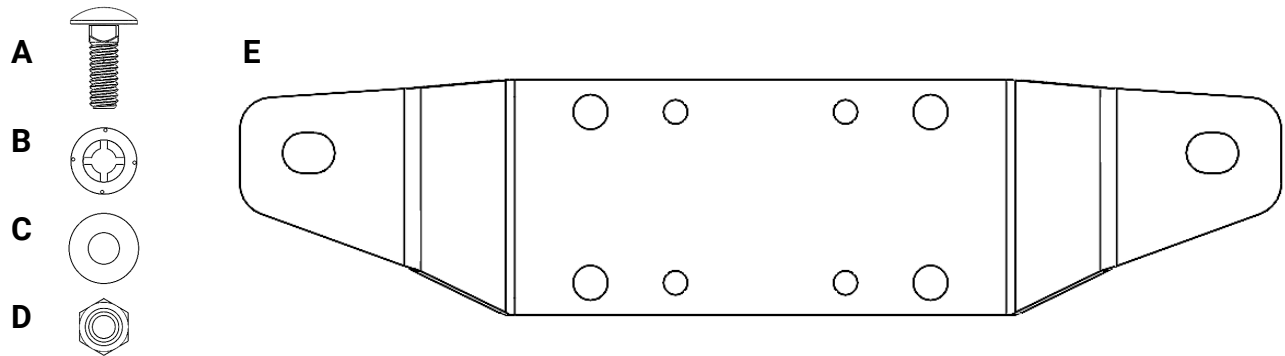
MAXTRAX/ACTIONTRAX INSTRUCTIONS

These instructions cover installation of Maxtrax and similar accessories to the nVader Rack using the Flarespace designed kits. These kits have been tested for use on Maxtrax and Actiontrax. Other products may or may not be compatible.

Maxtrax Mounting Instructions Flarespace Mounting Bracket

Included Hardware:

Part	Name	Quantity
A	Carriage Bolt	8
B	Plastic Retaining Washer	8
C	Washer	8
D	Nylock Nut	8
E	Flarespace Boomerang Mount Bracket	2



Required Components (Not Included):

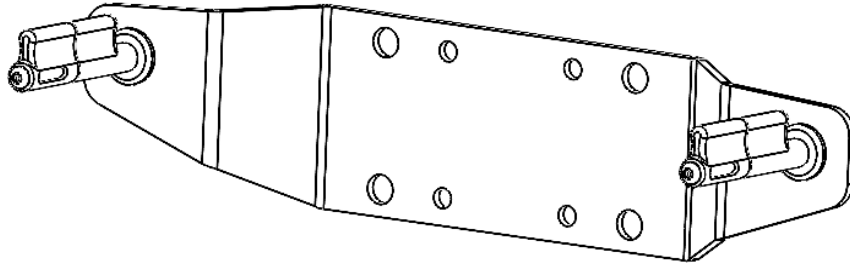
- 1x Set of Maxtrax mounting pins
- 1x Set of Maxtrax or Actiontrax Traction Boards

Tools required:

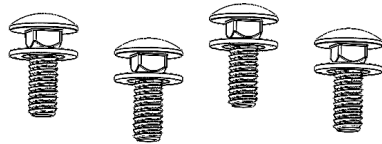
- 7/16" Wrench
- 17mm Wrench
- 21mm Wrench

Instructions:

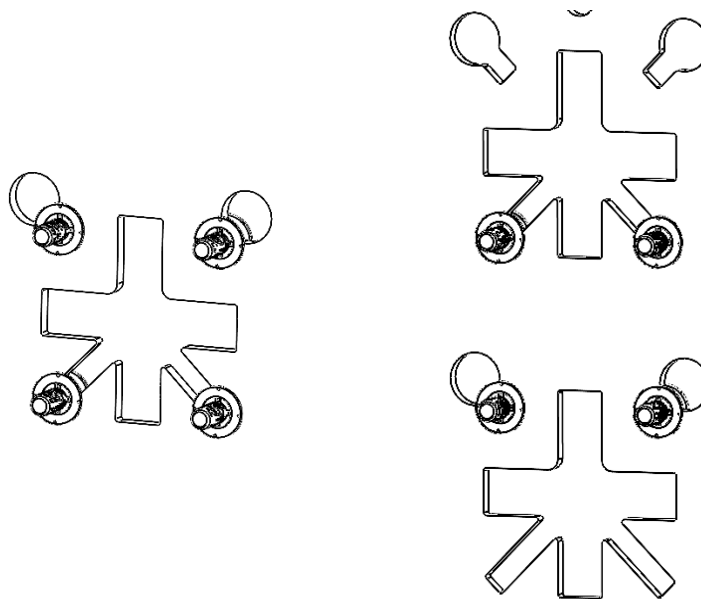
1. Attach the mounting pins to the mounting brackets (E) with the tabs oriented toward the flat. Ensure that the pin spacing aligns with your traction boards and tighten with a 17mm and a 21mm wrench.



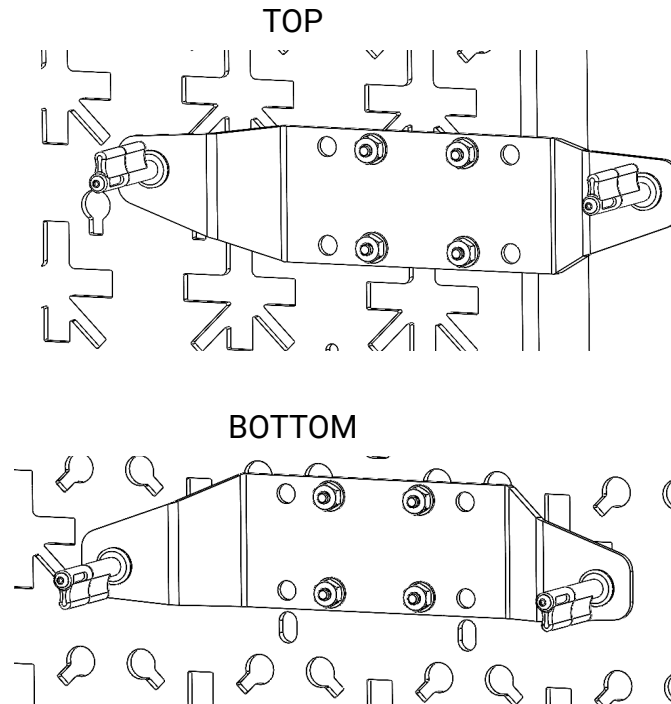
2. Place retaining washers (C) on all four carriage bolts (A), leaving space for the thickness of the nVader rack.



3. Slide four carriage bolts (A) into the two diagonal slots of the chosen top bracket location. You can put all four bolts in one pattern or spread them between the top and bottom of two as shown. Use your traction boards to determine the proper spacing between top and bottom mounts.



- Put the bolts through the center holes of the bracket. For the top bracket, put the flattest side pointing up. For the bottom bracket put the flattest side facing down. Secure with a washer (B) and nylock nut (D). Tighten the nuts with a 7/16" socket.



- Place traction boards on the mounting pins and rotate the pin ends to secure. We strongly recommend adding security locks to pins to deter theft.

