

6670 SERIES

28.3" W x 41.3" H x 4" D



Lock Options

Key

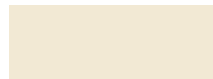


Manual Lock Keypad



Standard Door and Side Panel Colors

Almond



Glacier White



Premium Door and Side Panel Colors

Fusion Maple



Arctic Ribbon*



Majestic Walnut*



Royal Canyon*



* Majestic Walnut, Arctic Ribbon and Royal Canyon colors available for side panels only
Door and side panel colors other than white or almond may be subject to a minimum order of 5 units

DIMENSIONS

EXTERIOR DIMENSIONS 28.3" W x 41.3" H x 4" D

INTERIOR DIMENSIONS

UPPER COMPARTMENT 24.7" W x 14.1" H x 3.12" D

LOWER COMPARTMENT 24.7" W x 17.8" H x 3.12" D

WORK SURFACE 26.625" W x 18.5" D
(SUPPORTS 50 LBS)

WEIGHT 59.0 LBS (26.8 KG)

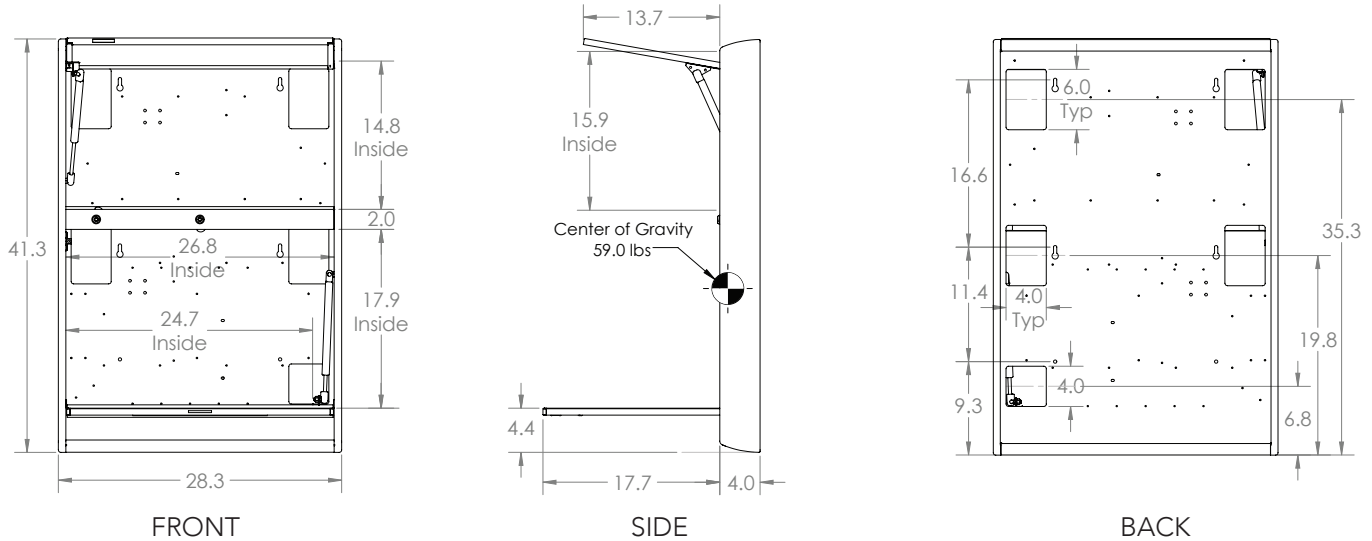
SPECIFICATIONS

SHIPPING

UNITS PER CARTON ONE

CARTON SIZE 44" L x 31" W x 8" D

GROSS WEIGHT 65 LBS



MATERIALS & CONSTRUCTION

MATERIALS

Cold Rolled Steel
Powder Coat Finish
Clear Anodized Aluminum Alloy
Medium Density Wood Composite

CONSTRUCTION

Mig Welded Steel Assemblies
Stiffeners and Braces at Critical Locations
Gas Spring Provided for Door Closure
Recessed Door Handle

DOOR

Door inside cabinet forms a large work surface when fully open. Two choices of closure action, specified at the time of order:

1. Automatic - If not held in fully open position, door automatically closes with slow, steady motion.
2. Semi-Automatic - Door remains stable at fully open position. When pushed close, door swings freely for about 30 degrees, then closes automatically with slow, steady motion.

SHELVES

Shelves are powder coated steel. Standard configuration does not include repositionable shelves. Alternate configurations are available, based on customer requirements.

MOUNTING

Cabinet to be hung from building studs or other secure mounting, on #10 to 1/4" lag bolts or screws (hardware not provided), via two upper keyholes on 16" C/C, and locked onto wall by similar fasteners through two lower round holes at 11.4" C/C below keyholes. Work surface height is determined by mounting height. For work surface at 42" above floor, place hanging holes at 58.3" and 76.2" above floor. Due to the various types of wall construction, hardware to be used and method of installation should be approved by an appropriate engineering, architectural or construction professional to ensure that all anchoring hardware will support the required loads.