

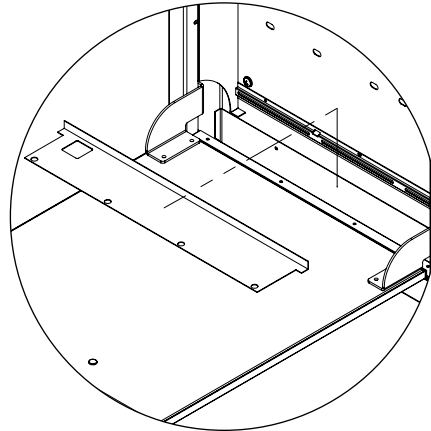
Programmable Cooling Fan Installation

Each 6" deep CarePod™ features perforated air vents that are compatible with our Programmable Cooling Fan. Fans are mounted to the interior left inside panel. To install the fan assembly, follow the steps below.

Step 1 - Remove Bottom Tray

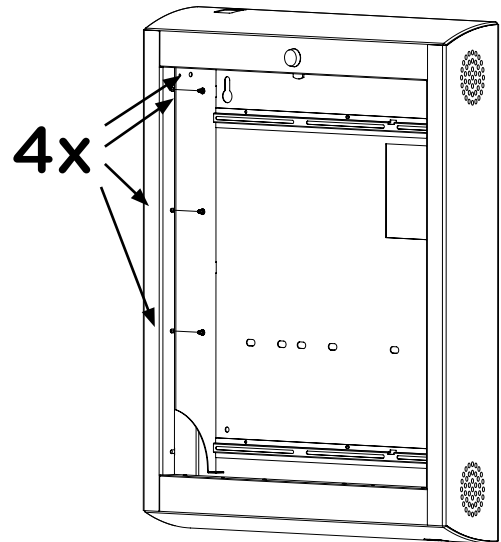
Unlock the CarePod door and allow the work surface to open to its full 90-degree orientation. Place a lightweight object onto it to ensure the door remains extended during the installation process.

Remove the bottom tray as shown.



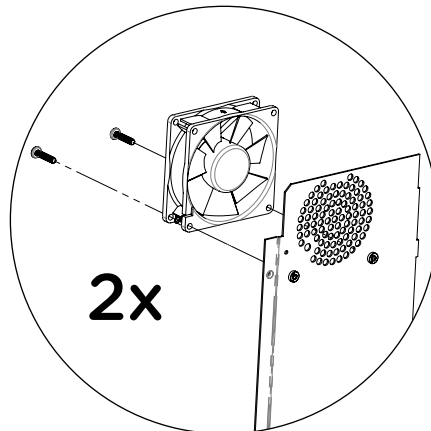
Step 2 - Remove Left Interior Side Panel

Using a Phillips screw driver, remove the four screws securing the left side panel and remove it. Note: The top screw secures the plastic door stop which will need to be removed and replaced in step 5.



Step 3 - Attach the Fan

Using the provided hardware, attach the fan to the interior side of the side panel as shown. Note: Screws are only used on the bottom two holes.



Programmable Cooling Fan Installation

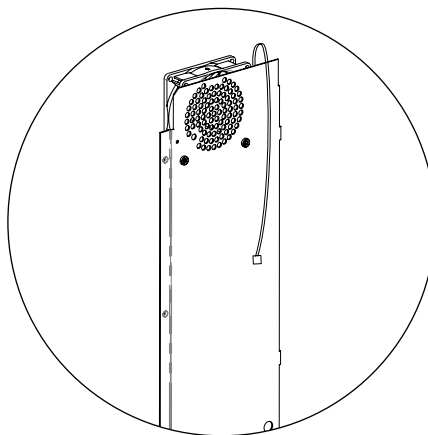
Step 4 - Route Fan Wires

After securing the fan to the side panel, determine your preferred interior placement of the thermostat and bracket.

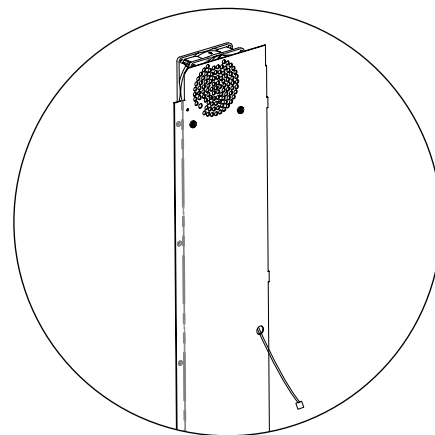
For top installation (utilizing the inside head space of the CarePod), route the fan cables over the top of the side panel before reassembling.

For bottom installation, route the cables through the lower hole in the side panel before reassembling.

Top Installation



Bottom Installation

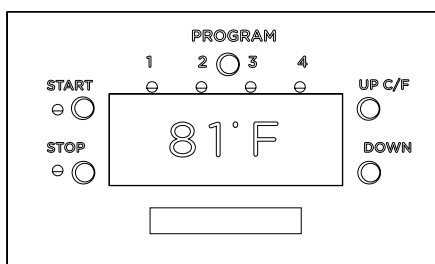


Step 5 - Reassemble

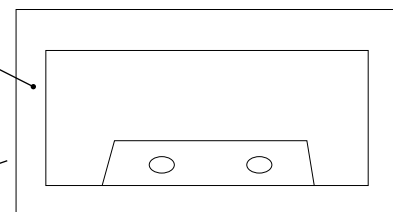
Reattach the side panel and secure with screws. Replace bottom tray.

Step 6 - Thermostat Assembly

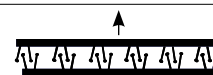
Locate the thermostat, power adapter, mounting bracket, temperature probe, and 3M™ Dual-Lock™ Reclosable Fastener.



1. Mount thermostat to bracket by pushing until both clips snap into place.

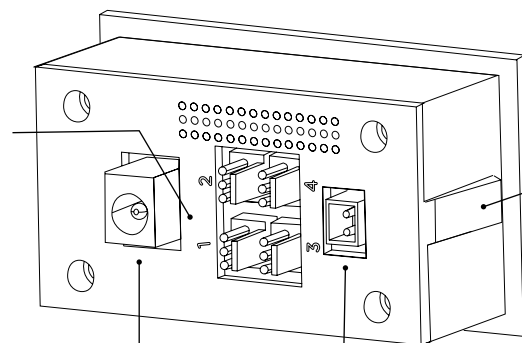


2. Attach one side of the 3M™ Dual Lock™ Reclosable Fastener to the mounting bracket flange.



5. Plug fan wire into slot 1

4. Plug in power adapter



3. Attach temperature probe

Step 7 - Mount Thermostat

Once fully wired, determine the desired mounting location within your CarePod and attach the other side of the adhesive fastener to the CarePod to secure in place. Position temperature probe near electronics to trigger the fan to power on at desired temps. Optional: Use our self-adhesive cable clips (sold separately) to securely route cables and temperature probe.



For more information:
800.782.1524 / carepodsales@carstens.com

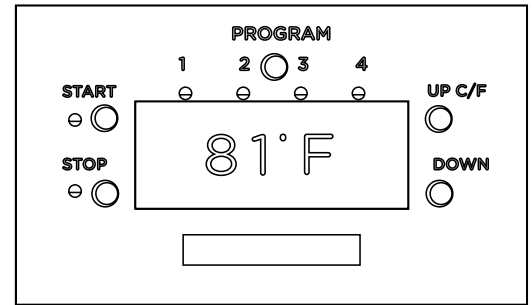
©Carstens, Inc. 05.2021
Literature made in the USA.
Content subject to change.

Programmable Cooling Fan

Thermostat Programming Instructions

The PROGRAM button will program on/off temperature thresholds. Continue to press the button to toggle between specific port programming. The indicator lights will blink to the corresponding port(s) being programmed.

While in PROGRAM mode, press START then the UP or DOWN buttons to set the temperature threshold that turns the corresponding fan on. Repeat the same process with the STOP button to set the threshold that turns the fan off. Settings will automatically be saved.



The first setting, which programs all the ports simultaneously (all lights blinking), will take priority over individual port programming. Set this beyond any thresholds set with the individual settings to avoid overriding individual ports.

To save, continue to press and hold the PROGRAM button until none of the lights are blinking.

Settings:

Lights off

Hold the UP button for three seconds. The controller will still function as programmed but the display and indicators will turn off.

Celsius or Fahrenheit

Press the UP button when not in programming mode to switch between temperature scales.

Always-On Mode

Hold down the START and STOP buttons for three seconds to toggle the thermal bypass, forcing the fan(s) to run regardless of temperature. The screen will display "BP" when in Always-On mode.

Heating Function

Set the START threshold below the STOP threshold and the controller will turn on until the environment is heated sufficiently.

