



Wireless LED Light Bar

Motion Sensor | USB Rechargeable

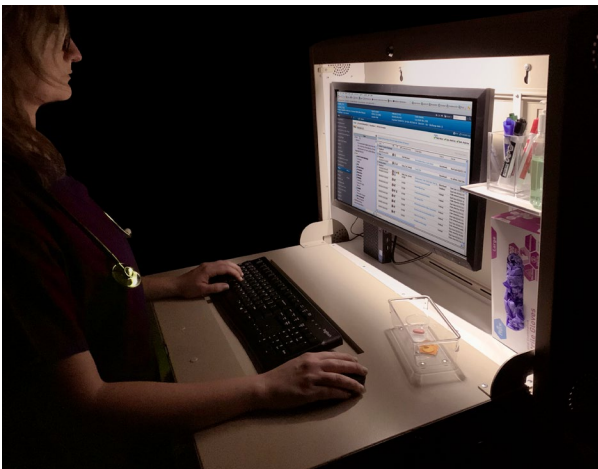
Add illumination anywhere. Fits tight spaces, like our wall-mounted workstations and storage cabinets, and can be secured to any surface. Motion-activated or manual operation.

Features:

- Super bright warm white LED light
- Three switch settings: On, off, motion-activated
- USB rechargeable battery (~60000 hours of life)
- Full charge powers light for about a month
- Easy tool-free installation for both magnetic and non-magnetic surfaces



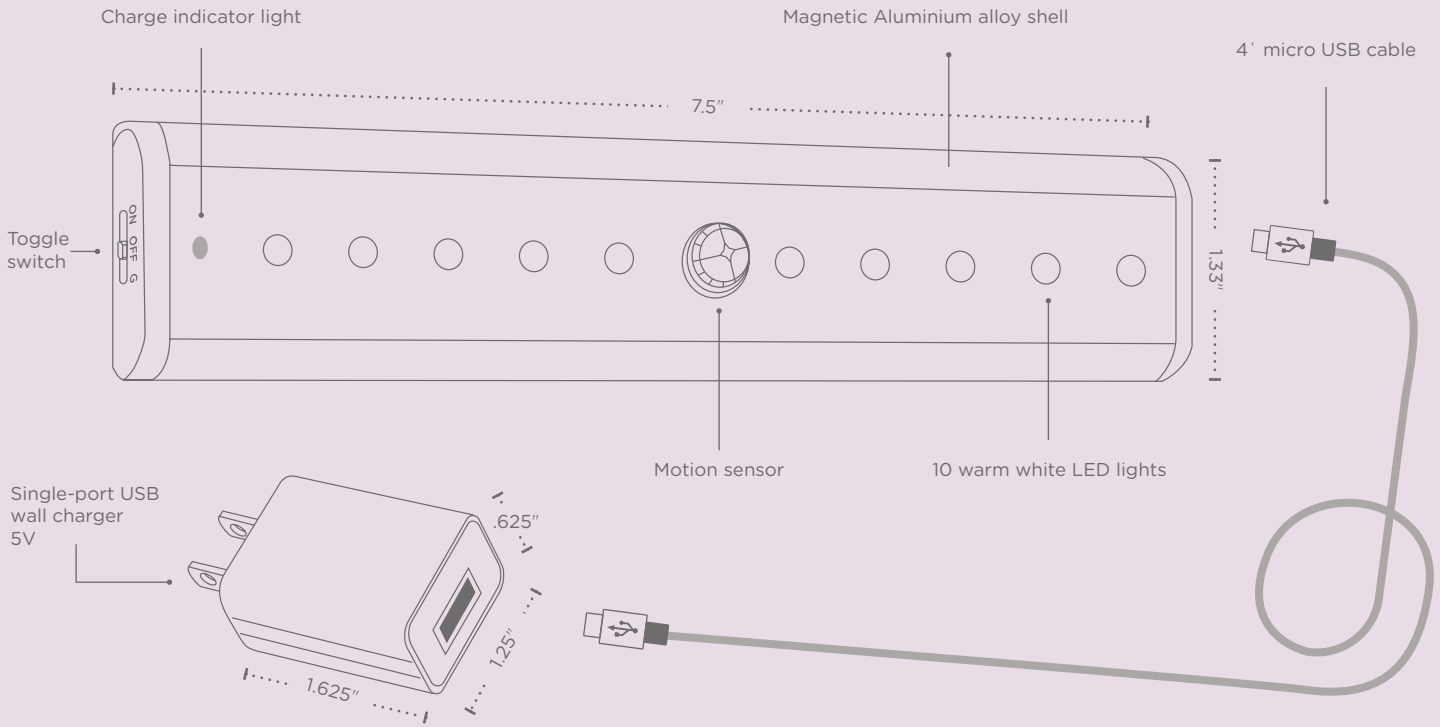
Slim, Lightweight Design | Magnetic Installation



Versatile as a night light or work light, this wireless LED light bar has a built-in magnet, offering easy installation without tools. For non-magnetic surfaces, quickly secure using the supplied magnetic strip and adhesive foam pads.

The lithium-ion battery has been tested for 500 charging cycles, offering an estimated 60000 hours of life, no matter the mode used. Fully charged, the battery powers the light bar for about a month.

Each single-pack includes one (1) LED light bar, one (1) 4' micro-USB cable, one (1) single-port USB wall charger, one (1) magnetic strip, and one (1) set of double-sided 3M adhesive foam pads.



+ 84999-0017

Wireless LED Light Bar

Motion Sensor | USB Rechargeable

LED Bulbs	10 LED SMD 2835
LED Life	>60000 hours
Color Temp	3000-3500 (Warm white)
Stand-by Current	Operating voltage 3.7V
Light Direction	Downlight
Luminous Flux	1000 lumen
Wattage	2 watts
Use Condition	Day and night
Sensor	Auto on/off motion sensor
Sensing Distance	≤ 10 feet (3 meters)
Battery	Li-Po battery 3.7V

Package includes:

One (1) LED light bar, one (1) 4' micro-USB cable, one (1) single-port USB wall charger, one (1) magnetic strip, and one (1) set of double-sided 3M adhesive foam pads.

Charger Input	AC 100-240V, 0.4A 50/60Hz
Charger Output	5.0V, 1000mA
Material	Aluminum alloy shell
Product Dimensions	L7.5" × W.5" × H1.33"
Pack Dimensions	L8.375" × W1.25" × H3.25"
Light Bar Weight	.15 lbs
Shipping Weight	.35 lbs
Certification(s)	Light: UL 1598, 8750 Charger: UL 62368-1 and CAN/CSA C22.2 No. 62368-1-14, Cable: UL recognized



[Click to buy now from Carstens.com](#)



For more information:
800.782.1524 / carepodsales@carstens.com

©Carstens, Inc. 03.2021
Literature made in the USA.
Content subject to change.