



Magnetic Hook

Heavy Duty | Supports up to 4 lbs.

Hang IV bags, port-protector strips, clipboards, keys, and more from any ferrous metal surface, including our wall-mounted workstations and storage cabinets.

A powerful ceramic magnet allows the hook to support items weighing up to 4 pounds.

Features:

- .75 inch deep hook
- Maximum capacity: 4 pounds
- 1.25 inch ceramic magnet
- Durable white enamel finish
- High quality steel construction



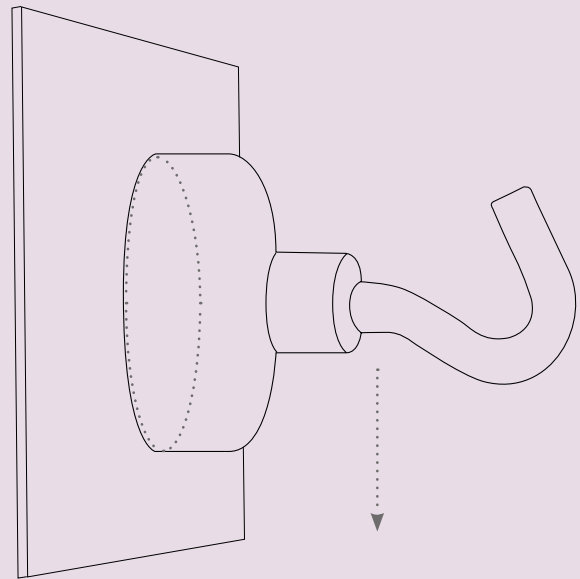
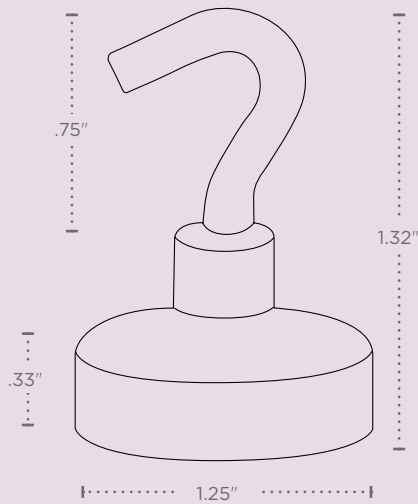
+ 84999-0016

Add functionality right where it's needed



Maximize the utility of nearby workstations, cabinets, doors, and more with this handy ceramic magnetic hook that attaches to any ferrous metal surface.

The powerful ceramic magnet can support a maximum of 4 pounds. Hang caregiving essentials like IV bags, port-protector strips, and more without worry. Or keep clipboards, keys, and assorted office items within easy reach. This heavy-duty hook is crafted of high-quality steel and features a durable white enamel finish.



Holds up to 4 pounds when mounted to 18 gauge smooth steel surface

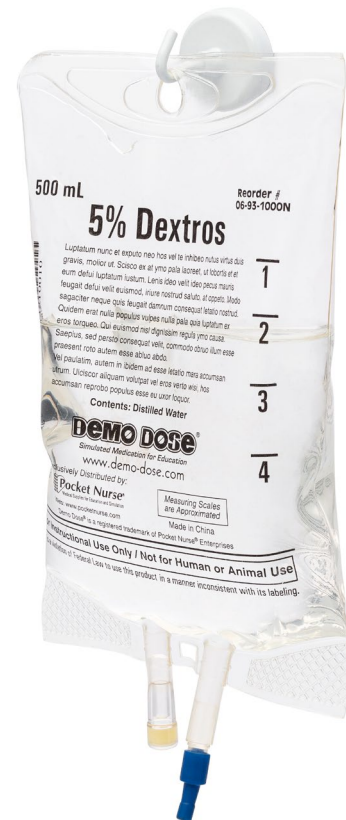
+ 84999-0016

Magnetic Hook

Heavy Duty | Supports up to 4 lbs.

Crafted of high-quality steel with a durable enamel finish, our ceramic metal hooks are designed to withstand heavy everyday use, cleaning, and disinfection.

Product Dimensions	L1.25" x W1.25" x H1.32"
Weight	0.09 lbs
Weight Capacity	4 lbs
Finish	White enamel paint
Material	Steel with ceramic magnet
Warranty	1-year limited
Storage Ideas	IV bags, port protector strips, lanyards, clipboards and more



[Click to buy now from Carstens.com](#)



For more information:
 800.782.1524 / carepodsales@carstens.com
 ©Carstens, Inc. 03.2021
 Literature made in the USA.
 Content subject to change.