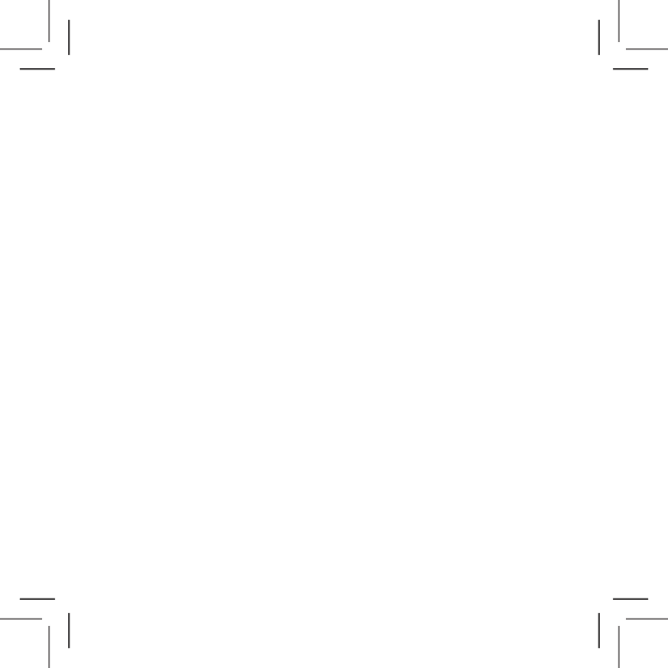


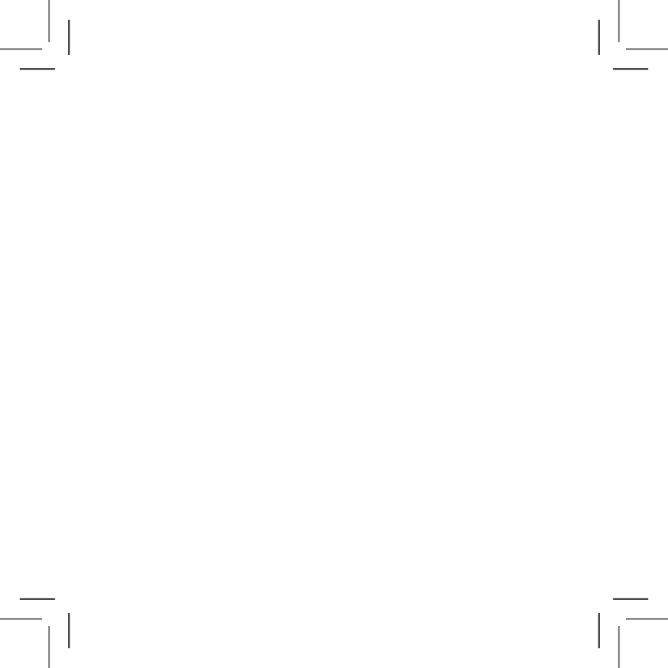


USER GUIDE  
**SYRAH**  
Electric Wine Opener





[WWW.TRNDLABS.COM](http://WWW.TRNDLABS.COM)



**Thank you for purchasing the  
SYRAH Electric Wine Opener and  
welcome to the world of TRNDlabs  
products.**

The SYRAH is the perfect solution for any wine lover. This innovative device automatically opens your wine bottle in just 5 to 7 seconds, so you can enjoy your favorite wine without any hassle.

# Table of Contents

Parts Identification	5
Functions	6
Setup	7
How to Use	8
Specifications	9
Troubleshooting	10
Safety Information	11

# Parts Identification

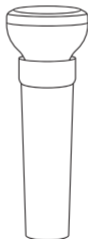
SYRAH Electric  
Wine Opener



Wine  
Pourer



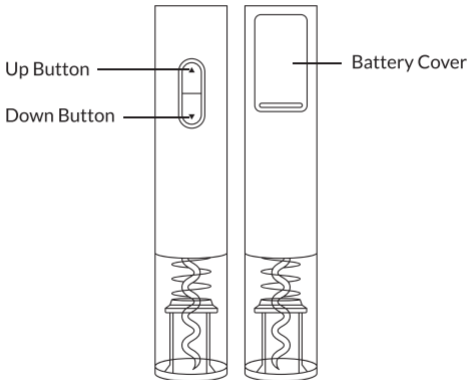
Wine Vacuum  
Stopper



Foil  
Cutter



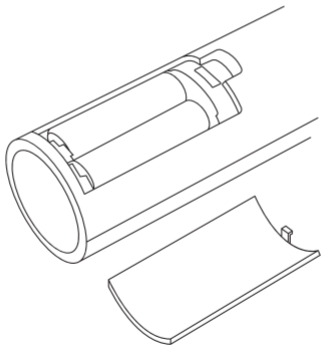
# Functions





## Setup

- 1 Remove the battery cover and insert 4 AA batteries. Close and lock the battery cover.



## How to Use

- 1 Remove the foil from the top of the bottle by placing the Foil Cutter on top of the bottle and rotating it.
- 2 Place the SYRAH on top of the bottle with one hand and hold the bottle in the other hand. Try to keep it in line with the bottle as much as possible.
- 3 Press the 'Down' button and hold, and at the same time gently press the SYRAH downward. The spiral will enter the cork and pull it up in 6 to 8 seconds. When the cork is out, it will stop automatically.
- 4 Remove the SYRAH from the bottle and press the 'Up' button. The cork will automatically come off the spiral.

## Specifications

<b>Battery:</b>	4x AA (Alkaline)
<b>Dimensions:</b>	22.8 x 4.8 x 4.8 cm
<b>Weight:</b>	270 grams

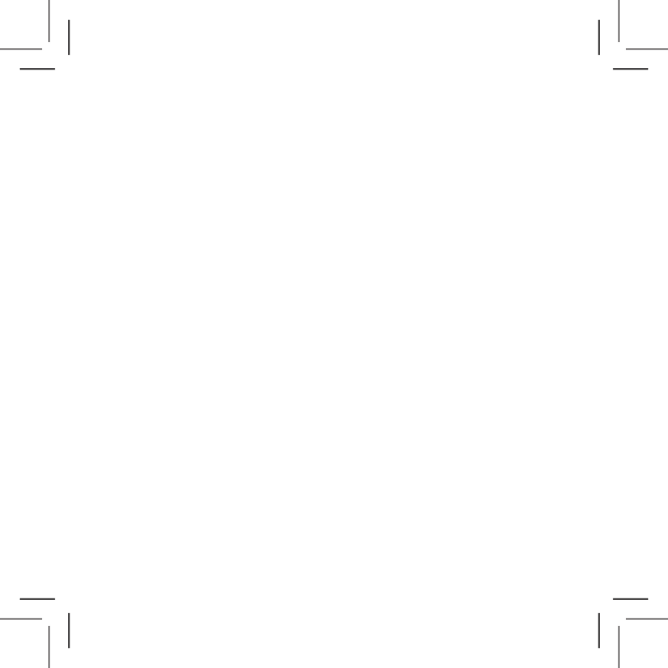
## Troubleshooting

**Problem:** The SYRAH does not work when pressing the 'Up' or 'Down' button.

*Solution:* Make sure the batteries that are inserted are charged. If so, check if the batteries are inserted correctly with the negative (-) and positive (+) marks.

## Safety information

- Hold both the device and the bottle firmly during use.
- Do not leave children unattended with the device.
- To prevent infections, disinfect the drill bits with medical alcohol after each use.
- Do not touch the inner sharp part of the foil cutter with your fingers.
- Do not expose the device to water or heat.





The contents of this document are subject to change.  
Download the latest version from  
[www.trndlabs.com](http://www.trndlabs.com).

If you have any questions about this document, please  
contact TRNDlabs by sending a message  
to [hello@trndlabs.com](mailto:hello@trndlabs.com).

© 2023 TRNDlabs. All rights reserved.



4041/1/EN