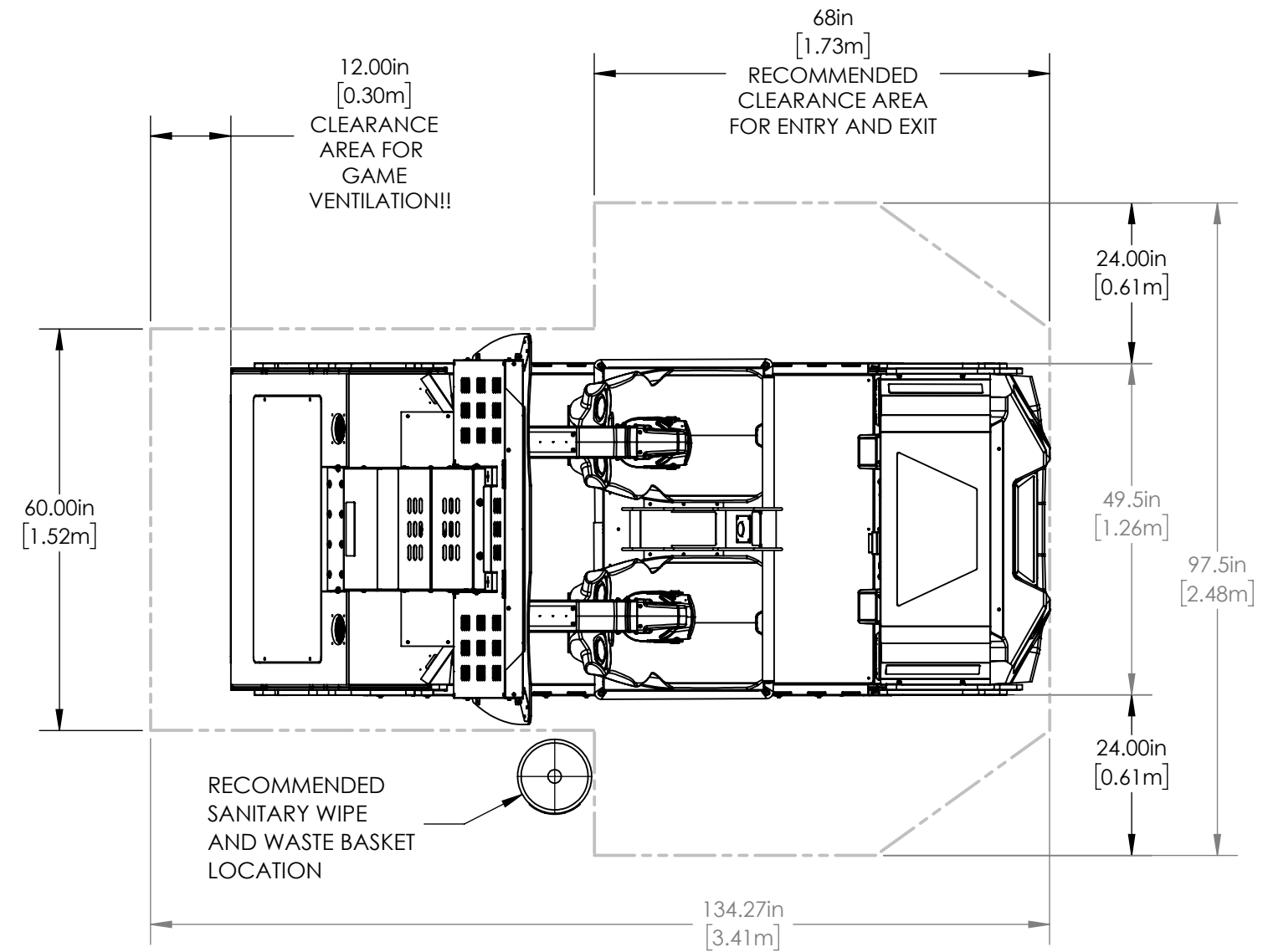
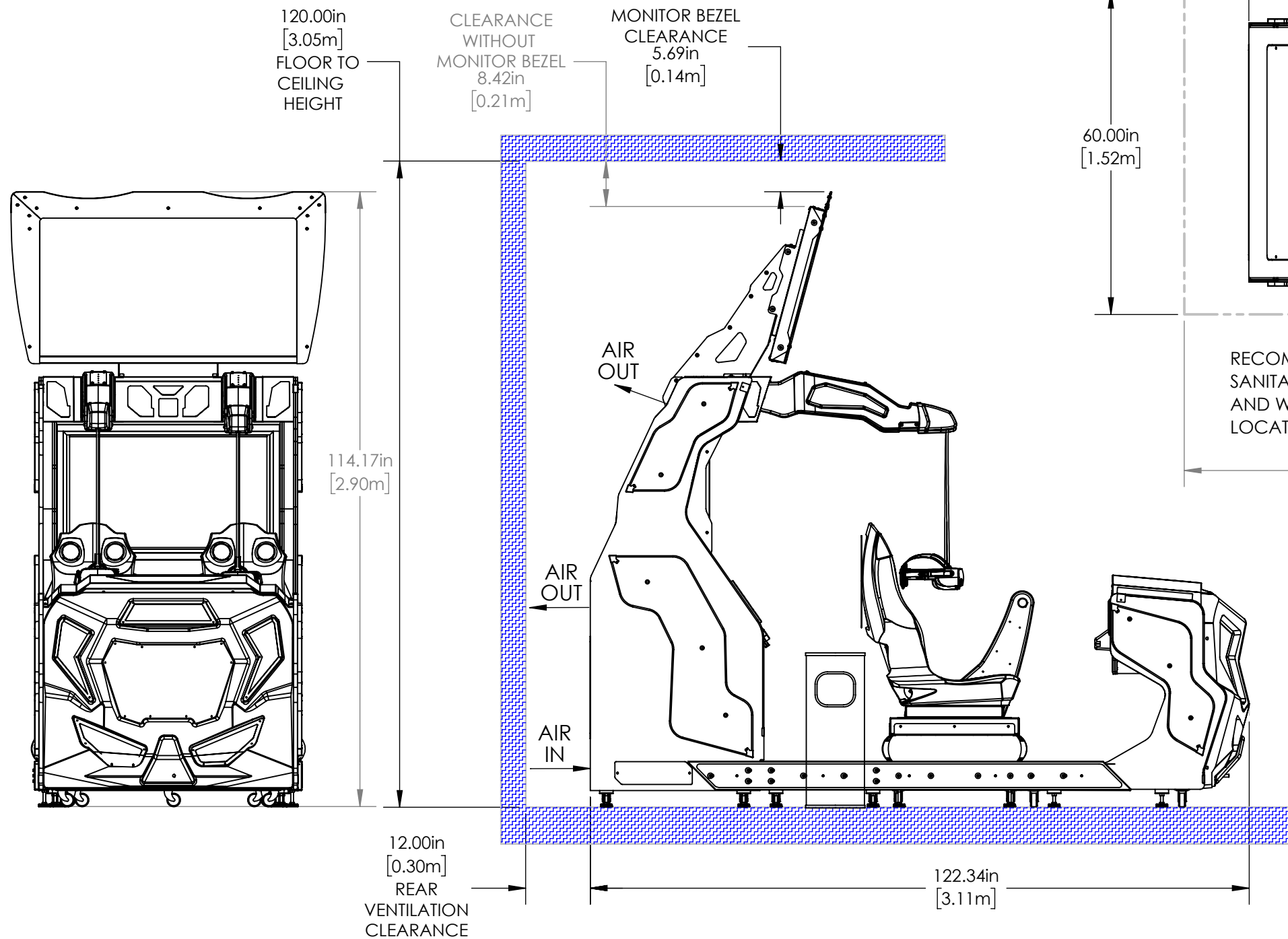


KING KONG OF SKULL ISLAND VR FOOT PRINT, SPACE AND POWER REQUIREMENTS.

**MINIMUM 10 FOOT (3 M) CEILING RECOMMENDED
AND 1 FOOT (.3 M) REAR WALL CLEARANCE REQUIRED.**



POWER REQUIREMENTS

120VAC : 20A (10A per AC inlet)

230VAC : 10A (5A per AC inlet)

DO NOT OVERLOAD AC MAINS

Provide independent 20A breaker @ 120VAC

Provide independent 10A breaker @ 230VAC

If a higher amperage AC circuit is provided, verify total load does not exceed breaker rating.

If power issues are observed (ex: spontaneous power cycle), split the two line cords between two different circuits.