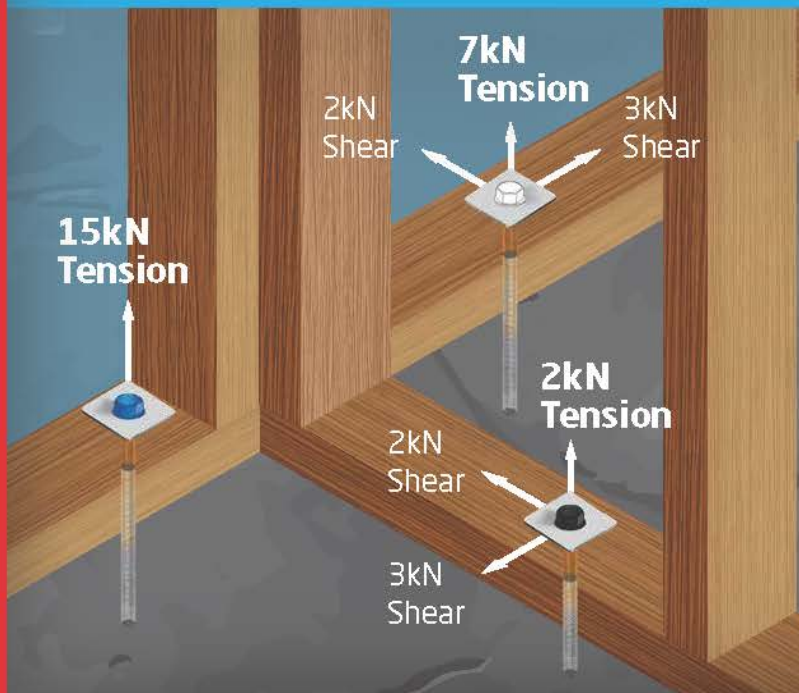


# Bottom Plate Screwbolts



## Coloured Head

- Colour coded

## Faster Install

- Install with a power tool

## Removable / Reusable

- Adjust position if required

## Non Expansion

- Less stress on substrate and higher loads

## Head Marking Includes Length and Diameter

- Post inspection at a glance

## Independently Tested

- Full test report available

## Code Compliant

- Meets NZ3604

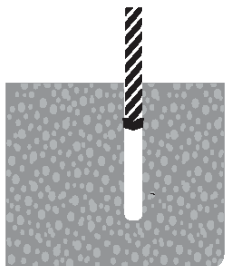
## Smaller Diameter

- Less chance of hitting steel

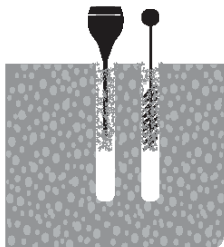
## BOTTOM PLATE ECO PACK SOLUTION

# SESTO

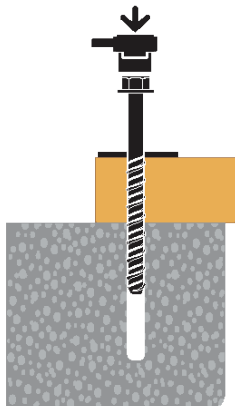
**Screwbolt** Eco Pack Inc. 50x50x3mm Galv Square Washer & Impact Socket.  
**Eco Pack** replaces plastic Tub to reduce plastic waste on building sites.



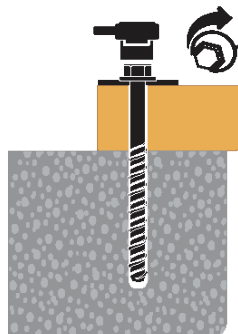
Using a 8mm drill bit, drill a hole to the depth of at least one diameter deeper than the required embedment depth.



Clean dust and other material from the hole.



Install with either a socket or cordless impact driver. Apply pressure against the fixing and rotate to engage the first thread. Continue to tighten the anchor until flanged head is firmly seated against fixture.



Installation complete!

# SESTO

F A S T E N E R S

## BOTTOM PLATE SCREWBOLTS



[www.sestofasteners.co.nz](http://www.sestofasteners.co.nz)



[info@sestofasteners.co.nz](mailto:info@sestofasteners.co.nz)



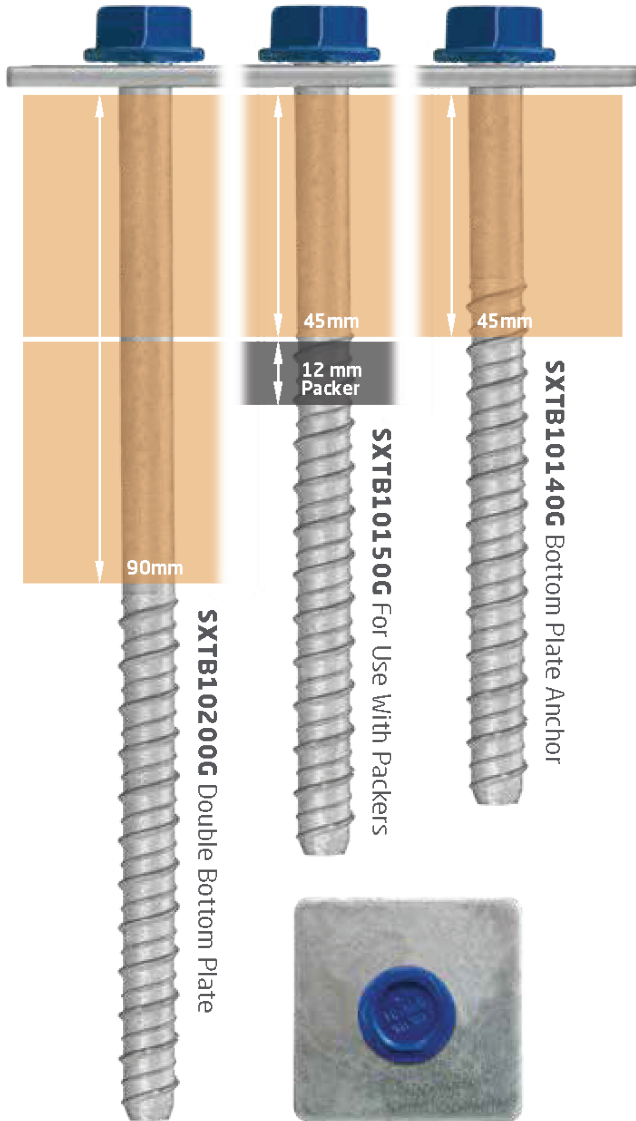
5e Piermark Drive, Albany  
Auckland



09 415 8564

ICCONS® ThunderBolt®Pro with 50x50x3mm Galvanised Washer

ICCONS® ThunderBolt®Pro with 50x50x3mm Galvanised Washer

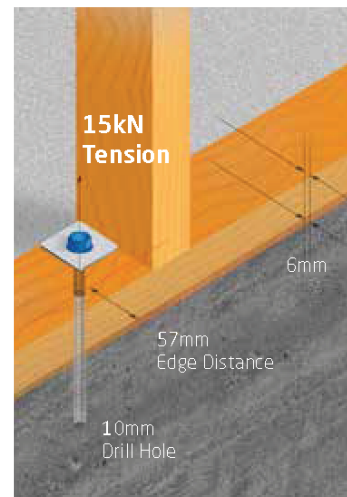


**FORMED CONCRETE BRACING SOLUTION**

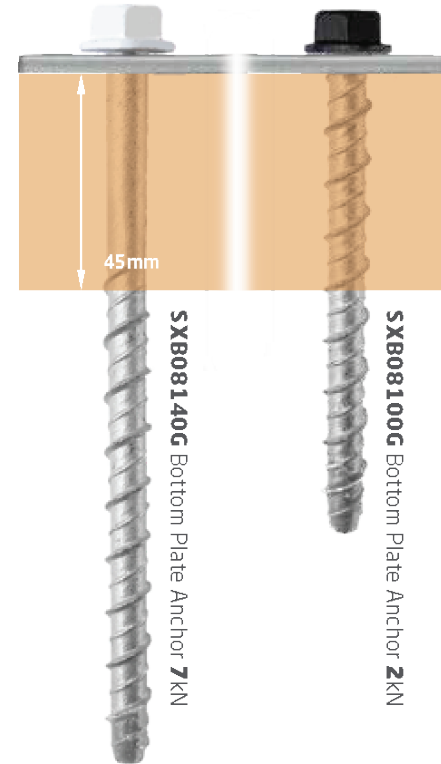
The ICCONS® ThunderBolt®Pro is the latest design in high performance screw-in, self tapping concrete anchors for use in a wide range of concrete and masonry base materials. The ICCONS® ThunderBolt®Pro achieves high loads while generating low expansion forces making it ideal for close to edge applications. Available in a mechanically galvanised finish, the The ThunderBolt®Pro is the perfect solution for use as a perimeter fixing in accordance with NZ Building Code clauses E2 and E3.

**BRACING SYSTEM - PROPRIETARY SOLUTION**

The SXTB10140G, SXTB10150G and SXTB10200G ThunderBolt®Pro anchors have been independently tested and achieved a characteristic tie down load of 15kN (minimum) in 20 MPa concrete. The SXTB10140G, SXTB10150G and SXTB10200G ThunderBolt®Pro anchors are suitable for use as proprietary bracing solution complying with NZ Building Code clauses E2 and E3.



Part No.	Minimum drill depth (mm)	External wall formed concrete foundation	Characteristic strength (kN)	Minimum edge distance (mm)	Minimum embedment depth (mm)	Bottom plate fixture thickness (mm)
SXTB10140G	105	Solid	15	59	90	45
SXTB10150G	105	Solid	15	59	90	45
SXTB10200G	120	Solid	15	59	90	90



**FIXING BOTTOM PLATES;**

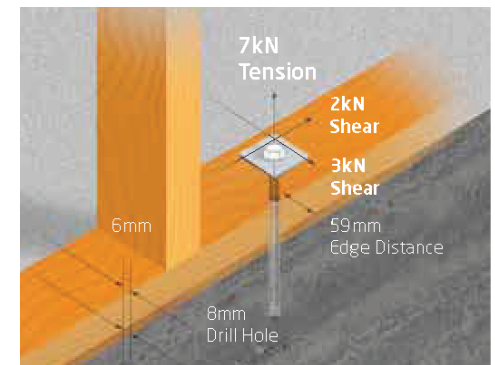
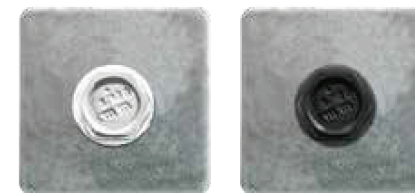
The ICCONS® ThunderBolt®Pro is the latest design in high performance screw-in, self tapping concrete anchors for use in a wide range of concrete and masonry base materials. The ICCONS® ThunderBolt®Pro achieves high loads while generating low expansion forces making it ideal for close to edge applications. Available in a mechanically galvanised finish, the The ThunderBolt®Pro is the perfect solution for use as a perimeter fixing in accordance with NZ Building Code clauses E2 and E3.

**FIXING BOTTOM PLATES EXTERNAL - PROPRIETARY SOLUTION**

The SXB08140G **White** Screwbolt has been independently tested for fixing Perimeter bottom plates. Design Tension load **7kN**, Design In Plane Shear load **2kN** and a design Out of Plane shear load of **3kN**. This is in accordance with BRANZ test report No. 125 (2004) and the evaluation of the results are in accordance with BRANZ evaluation method EM1 (1999)

**INTERNAL BOTTOM PLATES - PROPRIETARY SOLUTION**

The SXB08100G **Black** Screwbolt meets load requirements in accordance with NZS3604:2011 where edge distance is not a factor. Refer ICCONS document TDS / 1015.2 (NZ)



Contact SESTO Fasteners for full independent report **SSL-10074**.

NZS 3604:2011 CLAUSE 7.5.12.3  
Minimum Design Capacities (kN)

Part No.	Anchor Size (mm)	Bottom Plate Type (mm)	Fixing Centres (mm)	In-Plane Shear Loading (kN)	Out-of-Plane Shear Loading (kN)	Tension Loading (kN)
SXB08100G	8 x 100	45 x 90	900	2.0	3.0	7.0
SXB08140G	8 x 140	45 x 90	900	2.0	3.0	7.0