

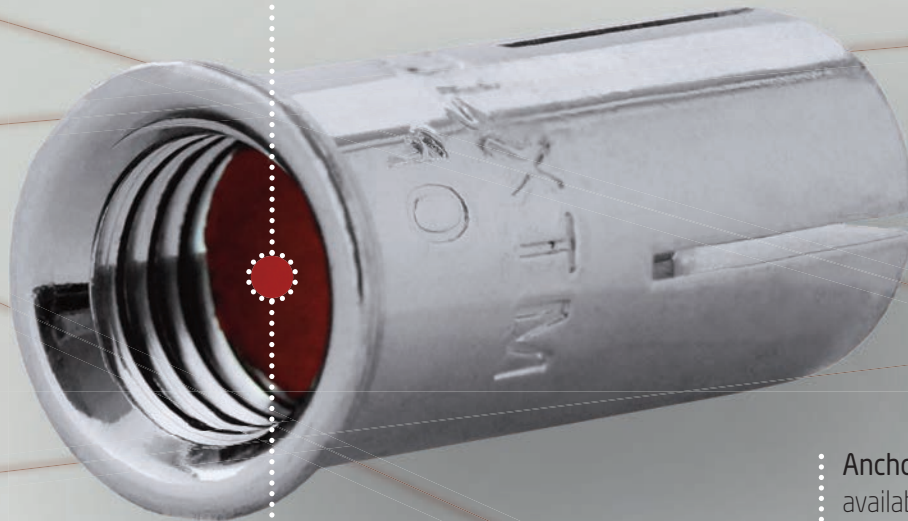
XTM Drop-In and XTM Lip Drop-In Anchors



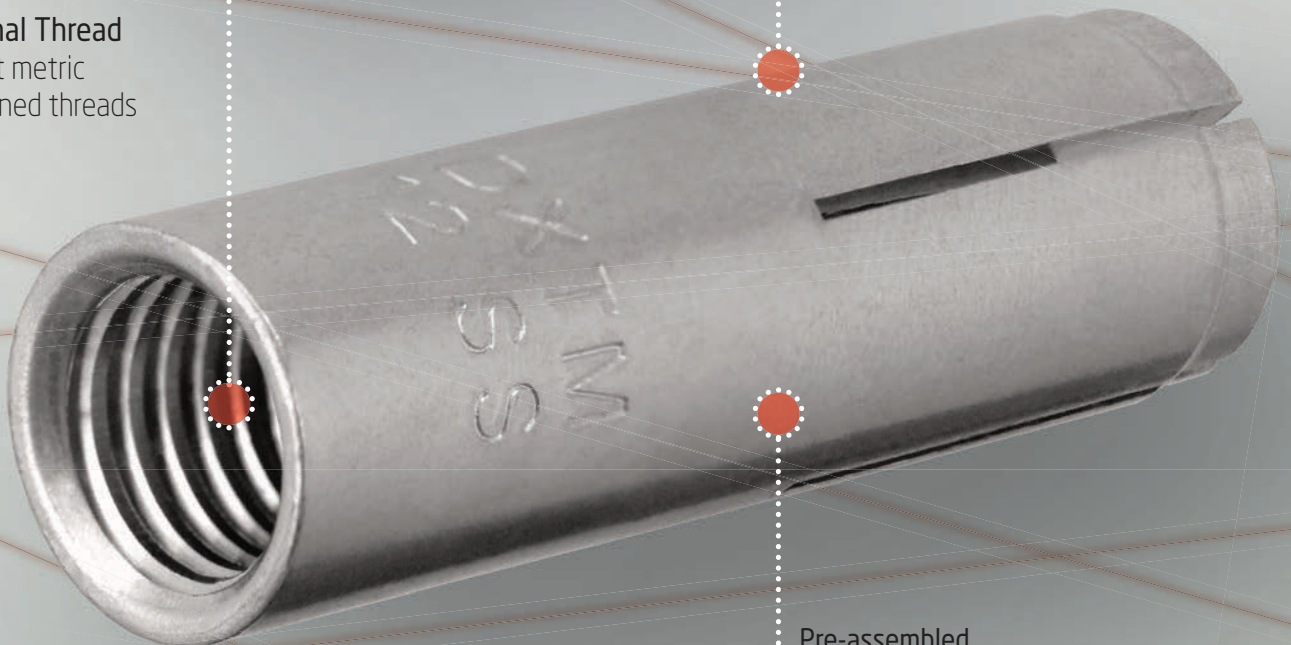
www.iccons.com.au

TDS | 1030.4

Cone Retainer Cap
keeps expander cone in place during transit



Internal Thread
to suit metric machined threads



Anchor Body
available in Carbon Steel
or 316 Stainless Steel

Pre-assembled Expander Cone
expands anchor body
when set with setting tool



National Code Compliant



European Technical Assessment



Cracked Concrete Approved



Fire Rated Fasteners



ENVO



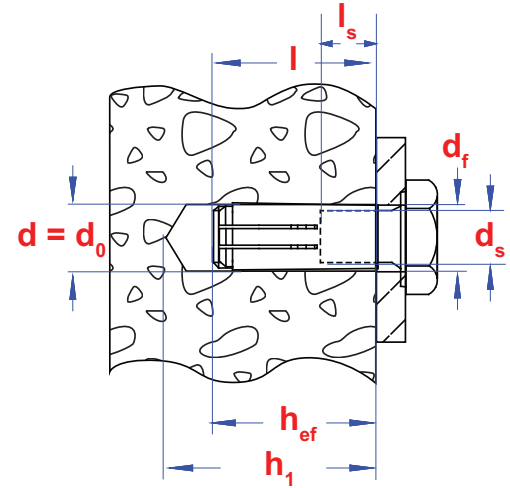
XTM Drop-in Anchor

ADVANTAGES

- Due to its small dimensions it is suitable to use in thin concrete members.
- Internal metric thread allows the use of standard metric screws and threaded rods.
- The anchor allows temporary fixings, it is flush to the surface.

FUNCTIONING

- Pre-positioned installation.
- Drill a hole per specifications and hammer in the anchor. Use the correct setting tool to drive in the steel cone and the anchor will expand.
- The setting tool must sit on the rim of the anchor to ensure correct expansion.



Part No.	Part No.	Description	mm	mm	ETA Option	qty	qty
DXTM06		M6 x 25mm Drop-in anchor	8	M6	Option 7 + RNSS	100	1000
DXTM08	DXTM08SS	M8 x 30mm Drop-in anchor	10	M8	Option 7 + RNSS	100	1000
DXTM10	DXTM10SS	M10 x 40mm Drop-in anchor	12	M10	Option 7 + RNSS	50	500
DXTM12	DXTM12SS	M12 x 50mm Drop-in anchor	15	M12	Option 7 + RNSS	50	400
DXTMX12		M12 x 50mm Drop-in anchor	16	M12	Option 7 + RNSS	50	400
DXTM16	DXTM16SS	M16 x 65mm Drop-in anchor	20	M16	Option 7 + RNSS	25	100
DXTM20		M20 x 80mm Drop-in anchor	25	M20	Option 7 + RNSS	25	50

RNSS = ETA Redundant non-structural systems

Part No.	Part No.	ds	d = d0	l	df (mm)	h1 (mm)	ls (mm)	hef (mm)
DXTM06		M6	8	25	7	30	10	25
DXTM08	DXTM08SS	M8	10	30	9	32	13	30
DXTM10	DXTM10SS	M10	12	40	12	42	17	40
DXTM12	DXTM12SS	M12	15	50	16	54	21	50
DXTMX12		M12	16	50	16	54	21	50
DXTM16	DXTM16SS	M16	20	65	18	70	27	65
DXTM20		M20	25	80	22	85	34	80

XTM Drop-in Anchor - Performance Data

CRACKED CONCRETE - REDUNDANT NON-STRUCTURAL SYSTEMS



Design loads for a single anchor ¹			M6	M8	M10	M12	M16	M20
Min. thickness of concrete member XTM Drop-In & XTM Drop-In SS	h _{min}	mm	80	80	80	100	130	160
Characteristic spacing for XTM Drop-In & XTM Drop-In SS	Scr	mm	200	200	200	200	260	320
Characteristic edge distance for XTM Drop-In & XTM Drop-In SS	C _{cr}	mm	150	150	150	150	195	240
Cracked and uncracked concrete XTM Drop-In C20/25 up to C50/60	F _{Rd}	kN	0.74	1.37	2.74	2.80	5.99	7.35
Cracked and uncracked concrete XTM Drop-In SS C20/25 up to C50/60	F _{Rd}	kN	0.41	0.76	1.23	1.92	4.30	5.84

¹ For multiple use for non-structural applications in concrete according to ETA-15/0122.

NON-CRACKED CONCRETE - OPTION 7 (AS 5216:2018 COMPLIANT)



Design loads for a single anchor ¹			M6	M8	M10	M12	M16	M20
Min. spacing for XTM Drop-In	S _{min}	mm	60	90	90	100	130	160
Min. edge distance for XTM Drop-In	C _{min}	mm	105	105	140	175	230	280
Min. thickness of concrete member XTM Drop-In	h _{min}	mm	100	100	100	100	130	160
Characteristic spacing for XTM Drop-In	Scr	mm	50	60	80	100	130	160
Characteristic edge distance for XTM Drop-In	C _{cr}	mm	75	90	120	150	195	240
Tension load Uncracked concrete for XTM Drop-In C20/25	N _{Rd}	kN	2.4	3.9	5.7	9.7	11.1	16.7
Tension load Uncracked concrete for XTMX12 Drop-In C20/25	N _{Rd}	kN				9.7		
Tension load Uncracked concrete for XTM Drop-In SS C20/25	N _{Rd}	kN	1.4	2.4	2.9	8.0	13.3	13.3
Shear load Steel 8.8 for XTM Drop-In C20/25	V _{Rd}	kN	4.0	5.4	8.3	11.6	34.4	46.9
Shear load Steel 4.6 for XTM Drop-In C20/25	V _{Rd}	kN	2.4	4.4	7.0	10.1	17.2	29.3
Shear load Steel 8.8 for XTMX12 Drop-In C20/25	V _{Rd}	kN				11.6		
Shear load Steel 4.6 for XTMX12 Drop-In C20/25	V _{Rd}	kN				11.6		
Shear load Stainless Steel A4-50 for XTM Drop-In SS C20/25	V _{Rd}	kN	4.0	5.4	8.3	11.6	31.4	46.9

¹ For use in non-cracked concrete - option 7, according to ETA-19/0662

XTM Lip Drop-In Anchor



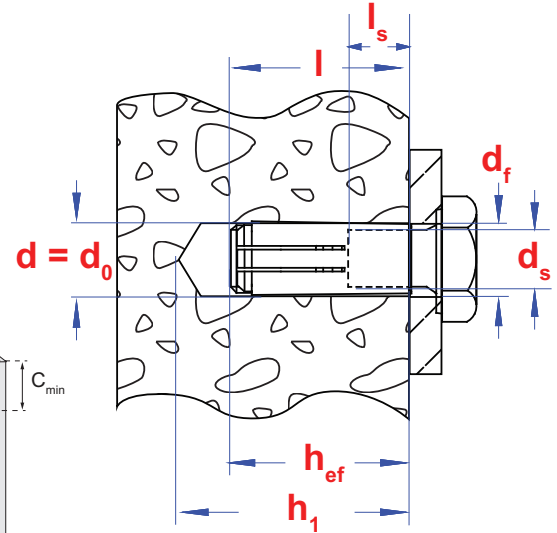
XTM Lip Drop-in Anchor

ADVANTAGES

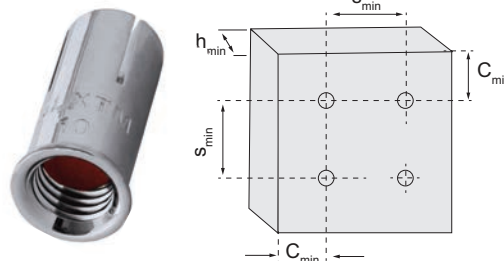
- Due to its small dimensions it is suitable to use in thin concrete members.
- Internal metric thread allows the use of standard metric screws and threaded rods.
- The collar prevents the anchor sleeve from slipping into the drill hole.

FUNCTIONING

- Pre-positioned installation.
- Drill a hole as per specifications and hammer in the anchor. Use the correct setting tool to drive in the steel cone and the anchor will expand.
- The setting tool must sit on the rim of the anchor to ensure correct expansion.



ZINC INTERNAL



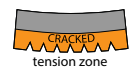
Part No.	Part No.	Description	mm	mm	ETA Option	qty	qty
DLXTM1030		M10 x 30mm Lip Drop-in anchor	12	M10	Option 7 & RNSS	50	500
	DLXTM1030BK	M10 x 30mm Bucket (1x setting tool 2 x drill bits)	12	M10	Option 7 & RNSS	500	n/a
DLXTM1040		M10 x 40mm Lip Drop-in anchor	12	M10	Option 7 & RNSS	50	400
	DLXTM1040BK	M10 x 40mm Bucket (1x setting tool 2 x drill bits)	12	M10	Option 7 & RNSS	500	n/a
DLXTM1250		M12 x 50mm Lip Drop-in anchor	15	M12	Option 7 & RNSS	50	300
	DLXTM1250BK	M12 x 50mm Bucket (1x setting tool 1 x drill bits)	15	M12	Option 7 & RNSS	200	n/a

RNSS = ETA Redundant non-structural systems

Part No.	Part No.	d_s	$d = d_0$	l	d_f (mm)	h_1 (mm)	l_s (mm)	h_{ef} (mm)
DLXTM1030		M 10	12	30	12	32	13	30
DLXTM1040		M 10	12	40	12	42	17	40
DLXTM1250		M12	15	50	16	54	21	50

XTM Lip Drop-in Anchor - Performance Data

CRACKED CONCRETE - REDUNDANT NON-STRUCTURAL SYSTEMS



Design loads for a single anchor ¹			M10 x 30	M10 x 40	M12
Min. thickness of concrete member for XTM Lip Drop-In	h_{min}	mm	80	80	100
Characteristic spacing for XTM Lip Drop-In	s_{cr}	mm	200	200	200
Characteristic edge distance for XTM Lip Drop-In	C_{cr}	mm	150	150	150
Cracked and uncracked concrete XTM Lip Drop-In	F_{Rd}	C20/25 up to C50/60 kN	2.30	2.70	2.80

¹ For multiple use for non-structural applications in concrete according to ETA-15/0122.

NON-CRACKED CONCRETE - OPTION 7 (AS 5216:2018 COMPLIANT)



Design loads for a single anchor ¹			M10 x 30	M10 x 40	M12
Min. spacing for XTM Lip Drop-In	s_{min}	mm	90	90	100
Min. edge distance for XTM Lip Drop-In	C_{min}	mm	105	140	175
Min. thickness of concrete member XTM Lip Drop-In	h_{min}	mm	100	100	100
Characteristic spacing for XTM Lip Drop-In	s_{cr}	mm	60	80	100
Characteristic edge distance for XTM Lip Drop-In	C_{cr}	mm	90	120	150
Tension load Uncracked concrete for XTM Lip Drop-In	N_{Rd}	C20/25 kN	3.9	5.7	9.7
Tension load Uncracked concrete for XTM Lip Drop-In	N_{Rd}	C30/37 kN	4.7	6.0	11.8
Tension load Uncracked concrete for XTM Lip Drop-In	N_{Rd}	C40/50 kN	5.4	6.2	13.7
Tension load Uncracked concrete for XTM Lip Drop-In	N_{Rd}	C50/60 kN	6.1	6.3	15.3
Shear load Steel 8.8 for XTM Lip Drop-In	V_{Rd}	C20/25 kN	5.4	8.3	11.6
Shear load Steel 4.6 for XTM Lip Drop-In	V_{Rd}	C20/25 kN	5.4	7.0	10.1

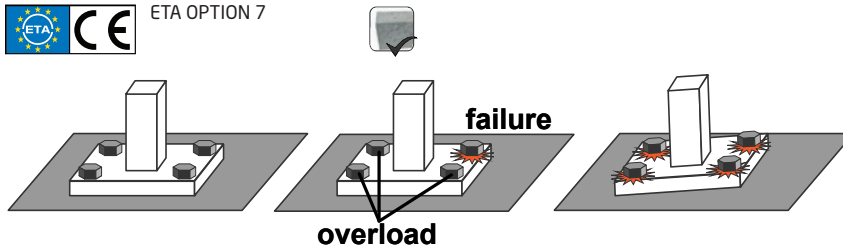
¹ For use in non-cracked concrete - option 7, according to ETA-19/0662



ETA Option 7



ETA OPTION 7



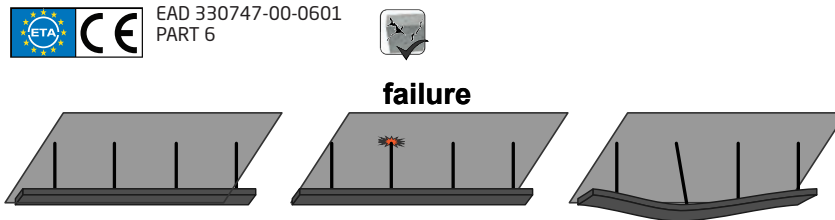
High loads, for use in non-cracked concrete. Failure of one anchor means failure of the complete system.

ETA RNSS

Redundant non-structural systems



EAD 330747-00-0601
PART 6



Lower loads, for use in cracked concrete. Failure of one anchor means deformation of the complete system, but no failure. The load is transferred to other anchors.

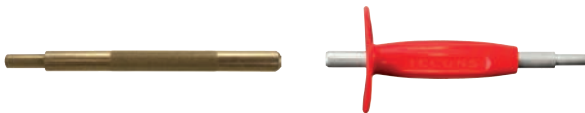
Material Specifications



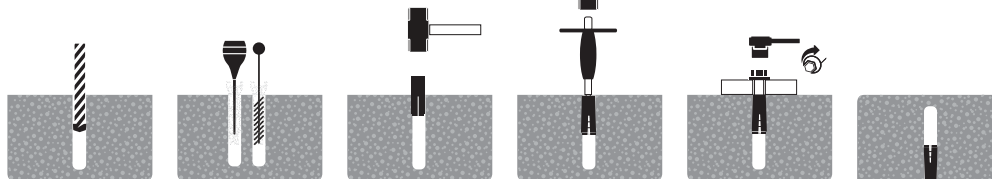
Anchor Component	XTM Drop-in	XTM Drop-in SS	XTM Lip Drop-in
Body	C1008	316 (A4) SS	C1008
Cone	C1008	316 (A4) SS	C1008
Thread	Metric	Metric	Metric
Plating (min 5 microns)	Clear Zinc		Clear Zinc

Installation Accessories

Setting tools for XTM Drop-in, XTM Drop-in SS and XTM Lip Drop-ins (refer to Product Guide for details)



Installation Instructions



With the correct diameter drill bit, drill a hole to the correct depth.

Clean dust and other material from the hole.

Insert with internal thread facing up, tap in anchor until seated and flush with surface of base material.

With the correct setting tool strike with a heavy hammer until tool is seated with the top of the anchor.

Place fixture in position and insert machined bolt and tighten until firm (do not exceed recom. torque).

For threaded rod installations wind in rod until firm, do not over tighten.

ICCONS® PTY LTD

VICTORIA - HEAD OFFICE
383 Frankston Dandenong Rd,
Dandenong South,
Vic, 3175
P: **03 9706 4344**

NSW Branch
Unit A, 17 Seddon Street,
Bankstown,
New South Wales, 2200
P: **02 9791 6869**

QLD Branch
42-44 Nealdon Dr
Meadowbrook,
Queensland, 4131
P: **07 3200 6455**

FNQ Branch
41 Corporate Crescent
Garbutt,
Queensland, 4814
P: **07 2111 3453**

S.A Branch
29-31 Weaver Street,
Edwardstown,
South Australia 5039
P: **08 8234 5535**

W.A. Branch
90 Christable Way,
Landsdale,
Western Australia, 6065
P: **08 6305 0008**

NORTHERN TERRITORY
Unit 1, 14 Menmuir Street,
Winnellie,
Northern Territory 0820
P: **08 8947 2758**

NEW ZEALAND

Sesto Fasteners
5E Piermark Road,
Albany, Auckland,
New Zealand 0630
P: **+64 9415 8564**
E: sestofasteners@gmail.com

THAILAND

ICCONS (Thailand) Co. Ltd.
55 Phetkasem 62/3, Bangkokhae,
Bangkok 0160
P: **+ 66 2 801 0764**
F: **+ 66 2 801 0764**
M: **+ 66 8 1 710 8745**
E: icconsthailand@hotmail.com