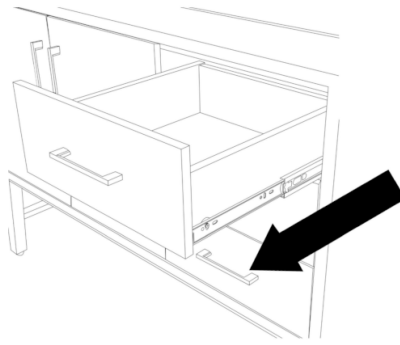


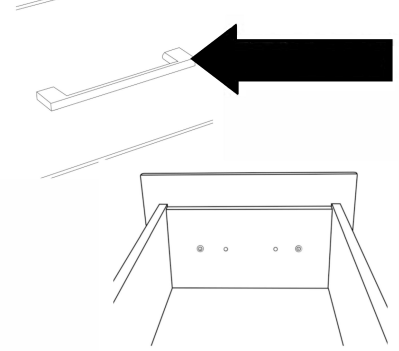
You will require a screwdriver in order to adjust the drawers

We best recommend using a Philips head screwdriver, but you may use a flat head screwdriver as well.



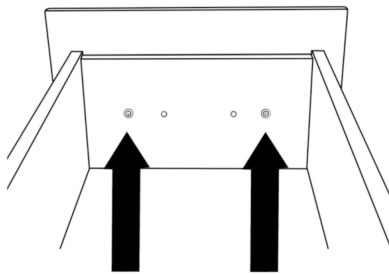
Review the vanity and assess which drawers require realignment

Fully open the drawer that requires adjustments



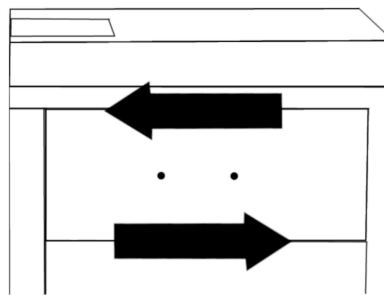
Identify any decorative hardware

Note: If your drawer did not come with decorative hardware, then the only screws located inside of your drawer will be the alignment screws



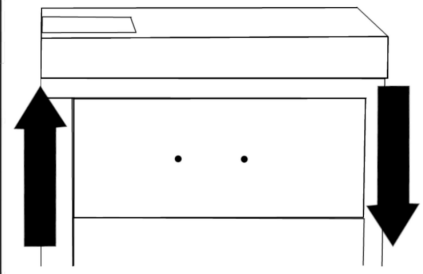
You will find the alignment screws by looking inside of the drawer and identifying the 2 screws located on the outermost left and right hand sides of the drawer

Once the hardware has been removed, use one hand to hold the drawer front in place and the other hand to slightly loosen to alignment screws

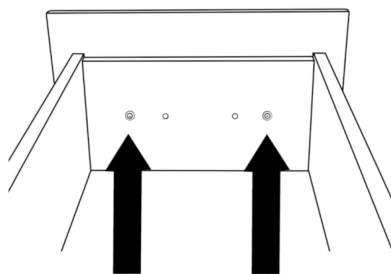


Slightly loosen the alignment screws by turning them each in a counter-clockwise motion

You should be able to adjust your drawer front left to right...

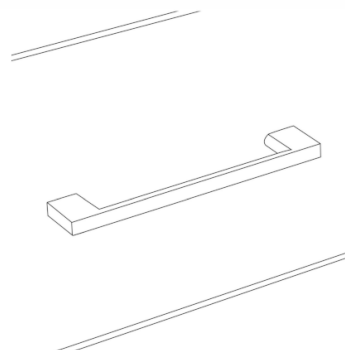


or up and down



Once your drawer front is in the desired location, stabilize the drawer front by holding the front with one hand and use the other hand to tighten the alignment screws

turn them in a clockwise motion



You may now re-install install your decorative hardware, if applicable



The adjustment process is complete

Note: It may take several adjustments to get your drawer front leveled