

Art.9085

Concealed self-closing mixer

Characteristics:

Standard flow at 3 bar: 10 L/min.
 Flow rate with adjuster: 6 L/min, 5 L/min, 8 L/min
 Pressure: (0.5 – 6) bar
 Temperature: Max 80°
 Standard closing time: 15" / 25"
 Temperature Selection
 NO water hammers

Materials:

- Body in chromed brass plated brass conform to EN 1982, EN 12164, EN 12165 standards
- Push button in chromed brass plated brass conform to EN 1982, EN 12164, EN 12165 standards
- Lever for mixer in chromed brass plated brass conform to EN 1982, EN 12164, EN 12165 standards
- Plate D.116 in chromed brass plated brass conform to EN 1982, EN 12164, EN 12165 standards

Reference standard:

EN 816:2017

Features:

- Timing in conformity with EN 816
- Treatment of the nickel-chrome surface conformity with EN 248 standard
- Resistance to saline aggression 200h conformity to EN ISO 9227 standard

Accessories / components supplied:

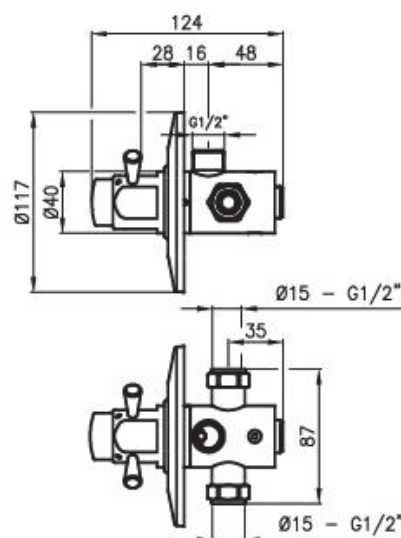
Ogiva
 Ice cap awards
 Centering ring

Opzioni:

Nichel FREE
 Soft touch
 Flow adjustment
 Time adjustment
 Vandal
 Closing time adjustment:
 3 " , 4" / 6 " , 8" / 12 "12" / 16 " ,
 Available in DZR brass

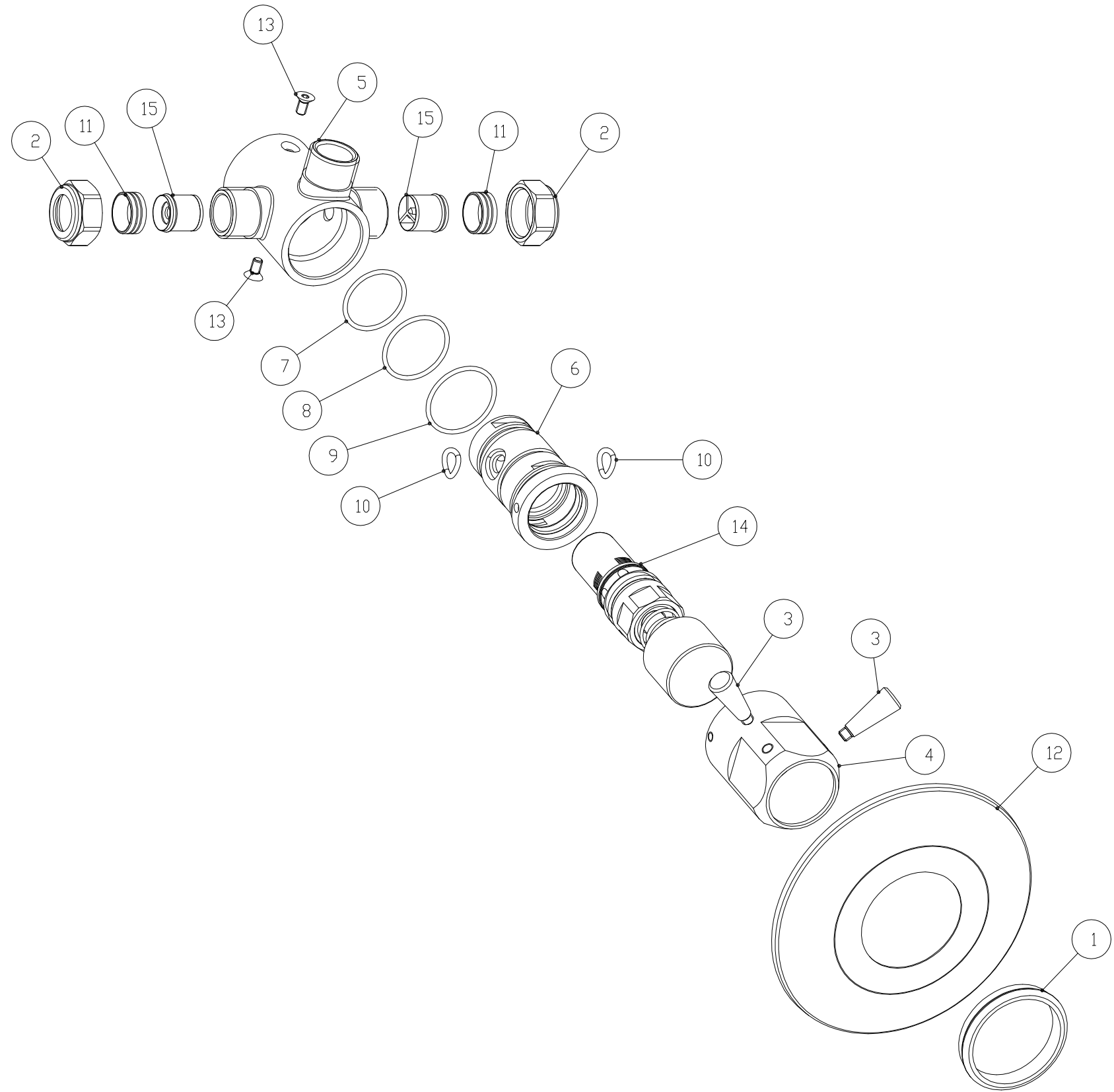
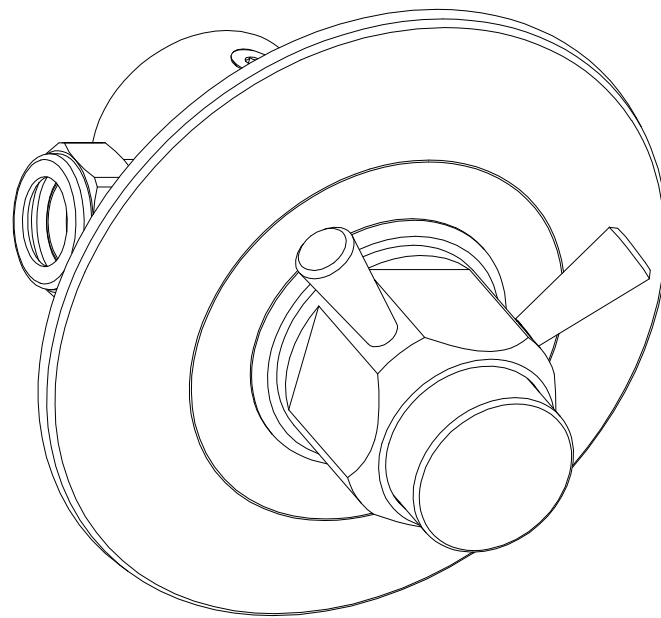
Notes:


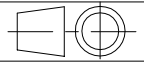
- Use a filter upstream of the system
- Cleaning only with water and soft cloth avoiding acids and abrasives



LIST COMPONENTS

POS.	DESCRIPTION	FILE NAME	MATERIAL	QTY
1	SLIDE RING	00218_09	PVC	1
2	OGIVA CAP 15MM	00200-09	CW614N-UNI-EN-1216	2
3	LEVER	00398-11	CW614N-UNI-EN-1216	2
4	KNOB	00149-08	CW614N-UNI-EN-1216	1
5	TAP BODY	01001_15		1
6	NEW BODY CARTRIDGE	01000-15	CW614N-UNI-EN-1216	1
7	O-ring 2100 Ø25.12x1.78	OR25_12X1_78EPDM	EPDM	1
8	O-ring 2106 Ø26.7x1.78	OR2106	NBR	1
9	O-ring 2112 Ø28.3x1.78	OR28_30	EPDM	1
10	CURVED O-RING 8.5X2	OR8_5X2_CURVO		2
11	OGIVA Ø17x15,2 H.7	00199-09	CW614N-UNI-EN-1216	2
12	PLATE Ø117 FORO Ø45.5	00217_09	CW508L-EN-12449	1
13	SCREW TSEI inox A2 M4X8 UNI 5933	00078-19	AISI304	2
14	HEAD VALVE 108 - 15 - 25 SEC	108-CEFIL4	NO-MATERIAL	1
15	VLA01DN15 NON-RETURN VALVE	00009-19	ABS	2



	SHOWER 9085	0	Formato / Formato A3	
	CONCEALED SELF-CLOSING MIXER	Dis.		
MCM srl Via dell'acacia 54-56 - 28021 - Borgomanero (NO) - Tel. +39 0322 843060 www.mcmtaps.it				
Il presente disegno a termine di legge non può essere reso pubblico o riprodotto senza l'autorizzazione scritta di mcm srl				