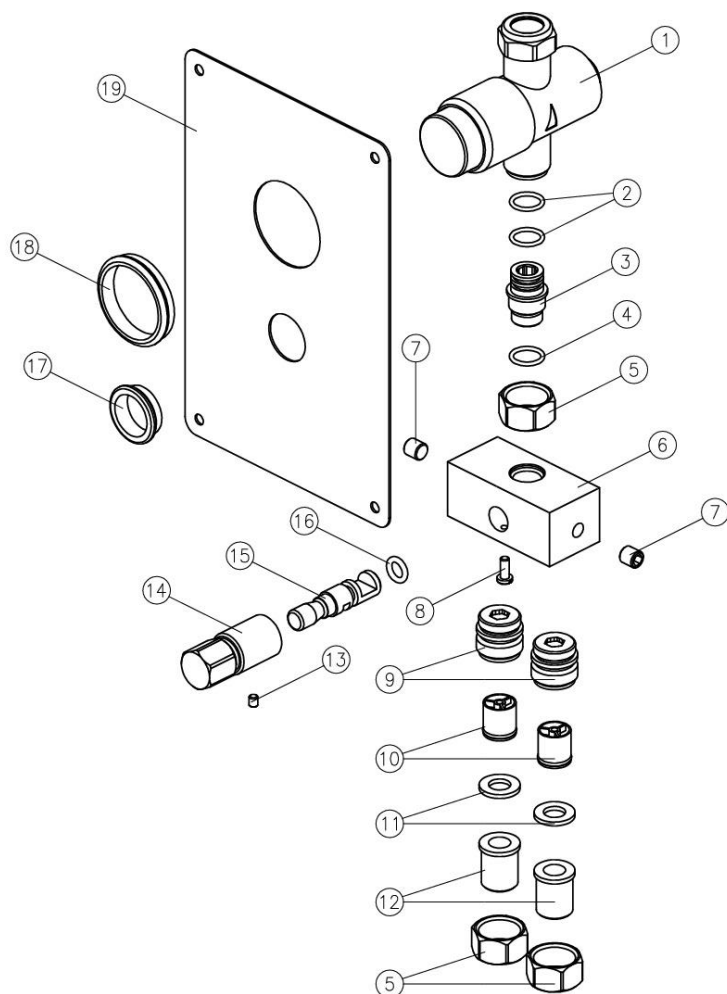


Art.9005MIX


LIST COMPONENT		
Pos.	Description	Q.tà
01	TAP BODY – Art.9005	01
02	O-RING Ø10.82x1.78 NBR 70 SH	02
03	JUNCTION	01
04	O-RING Ø12.42x1.78 NBR 70 SH	01
05	CAP	03
06	BODY MIXER	01
07	GRAIN M8x8	02
08	SCREW M4x12.5	01
09	JUNCTION	02
10	VALVE	02
11	GASKET Ø18.5x11 H.2	02
12	JUNCTION	02
13	GRAIN M4x4	01
14	MIXER KNOB	01
15	MIXER STEM	01
16	O-RING Ø7x2.5 NBR 70 SH	01
17	SLIDING RING FOR MIXER	01
18	SCROLL RING FOR RECESSED SHOWER	01
19	PLATE Art.9005 MIX	01