

Art.6000S

Antilgature shower head with adjustable jet fixed

Characteristics:

Standard flow at 3 bar: 10 L/min
 Flow rate with adjuster: 6 L/min, 5 L/min, 8 L/min,
 Pressure: (0.5– 6) bar
 Temperature: Max 80°C
 Standard closing time: 15" / 25"
 NO water hammers

Materials:

- Body in chromed plated brass conform to EN 1982, EN 12164, EN 12165 standards
- Joint in chromed plated brass conform to EN 1982, EN 12164, EN 12165 standards

Reference standard:

EN 816:2017

Features:

- Timing in conformity with EN 816
- Treatment of the nickel-chrome surface conformity with EN 248 standard
- Resistance to saline aggression 200h conformity to EN ISO 9227 standard

Accessories / components supplied

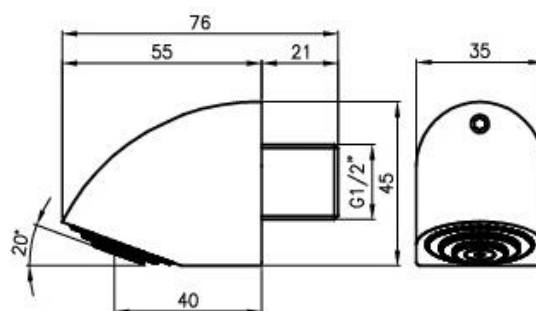
Fixing kit (dowels and screws)
 15mm brass headboard
 Shells

Options:

Anti-vandal
 Nichel FREE
 Regulation Time
 3", 8"/12", 12"/16", 4"/6"
 Available in DZR brass

Notes:

- Use a filter upstream of the system
- Cleaning only with water and soft cloth avoiding acids and abrasives



15 anni



Water saving up to 85%



MADE IN ITALY

www.mcmtaps.it

Art.6000S

ANTIVAN. SHOWER HEAD SWIVEL SP		
Pos.	Description	Q.ty
01	GRAIN	01
02	FILTER + FLOW CONTROL	01
03	BODY	01
04	3 RINGS KIT	01
05	SCREW	01

