

THERMOSTATIC MIXING VALVE

ECO-MIX™

MODEL 270-LF

LEAD FREE THERMOSTATIC POINT OF USE MIXING VALVE

MODEL 1/2" inlets, 1/2" outlet, (MIPS connections)

MATERIALS:

- Lead Free Bronze body
- Locked temperature adjustment cap (vandal resistant)
- Copper encapsulated thermostat assembly with polymer thermoplastic shuttle
- Stainless steel springs
- Buna-N O-rings
- Integral check valves on hot and cold inlets

PRESSURE-TEMPERATURE:

- Minimum Flow: 0.25 GPM (0.95 l/Min)*
- Maximum Pressure: 125 PSI (8.6 BAR)
- Maximum Hot Water temperature: 200°F- (93°C)
- Approach Temperature 5°F (2.8°C) above set point.
- Temperature adjustment range, 90-140°F (32-60°C) **

OPTIONS:

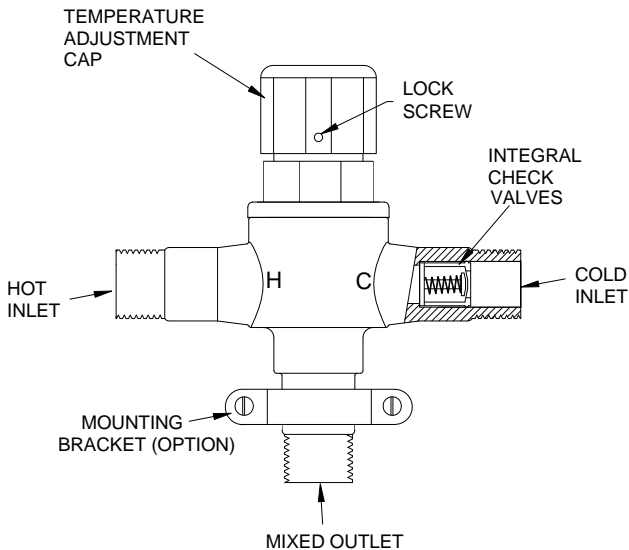
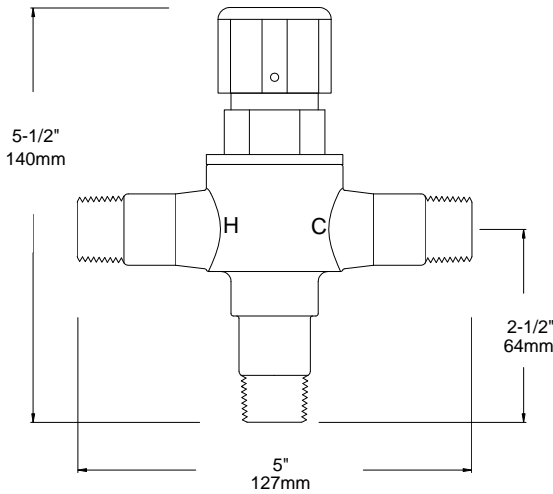
- ___ SUFFIX BRKT – Mounting Bracket (Shipped Loose)
- ___ SUFFIX BV – Ball Valves (Shipped Loose)
- ___ SUFFIX SW – Sweat Connections (Shipped Loose)
- ___ SUFFIX CP – Chrome Plated
- ___ SUFFIX DT – Dial Thermometer and Tee (Shipped Loose)

ASSE 1017, 1070 CERTIFIED



This product is certified to meet Low Lead requirements of wetted surface area containing less than 0.25% lead by weight

****NOTE:** For temperatures outside of this valve's stated range, please see our line of bi-metal valves.



* 0.25 GPM minimum flow certified to ASSE 1070

Engineer's Approval 	Job # _____
	Arch/Eng. _____
	Contractor _____

PRESSURE DROP						
5	10	20	30	40	50	PSI
.35	.70	1.4	2.1	2.8	3.4	BAR
3.5	5.5	7.5	9.5	10.5	12	GPM
13	21	28	36	40	45	l/min



1360 Elmwood Avenue, Cranston, RI 02910 USA

Phone: 401.461.1200 Fax: 401.941.5310

Email: info@leonardvalve.com

Web Site: <http://www.leonardvalve.com>