

## Art.7034

Wall-mounted electronic urinal powered only batteries

### Characteristic:

Standard flow at 3 bar :40 L/min.

Flow rate with adjuster: 6 L/min,5 L/min,8 L/min

Pressure: (0.5– 6) bar

Temperature: Max 80°

Standard closing time: 6"

### Material:

- Body in chromed brass plated brass conform to EN 1982, EN 12164, EN 12165 standards
- Rose ½" with steel fins
- Case back in chromed brass plated brass conform to EN 1982, EN 12164, EN 12165 standards
- Tube in chromed brass plated brass conform to EN 1982, EN 12164, EN 12165 standards
- Campanina in chromed brass plated brass conform to EN 1982, EN 12164, EN 12165 standards
- Tap body in chromed brass plated brass conform to EN 1982, EN 12164, EN 12165 standards
- Plug in chromed brass plated brass conform to EN 1982, EN 12164, EN 12165 standards
- Wall connection cover in chromed brass plated brass conform to EN 1982, EN 12164, EN 12165 standards
- Wall connection in chromed brass plated brass conform to EN 1982, EN 12164, EN 12165 standards

### Reference standard:

EN 816:2017

### Features:

- Timing in conformity with EN 816
- Treatment of the nickel-chrome surface conformity with EN 248 standard
- Resistance to saline aggression 200h conformity to EN ISO 9227 standard

### Accessories/ components supplied:

Counter pusher

Pushers

Infrared sensor

Battery holder

Solenoid

### Options:

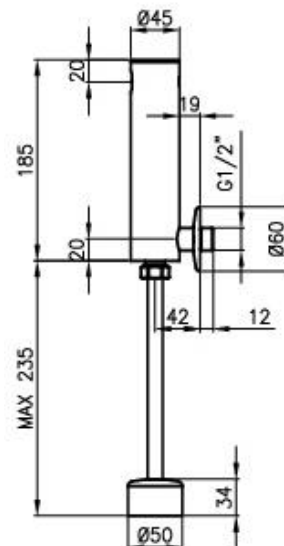
Vandal

Nickel FREE

Soft touch

### NoteS:

- Use a filter upstream of the system
- Cleaning only with water and soft cloth avoiding acids and abrasives
- You can buy alkaline or lithium batteries



**2 anni**

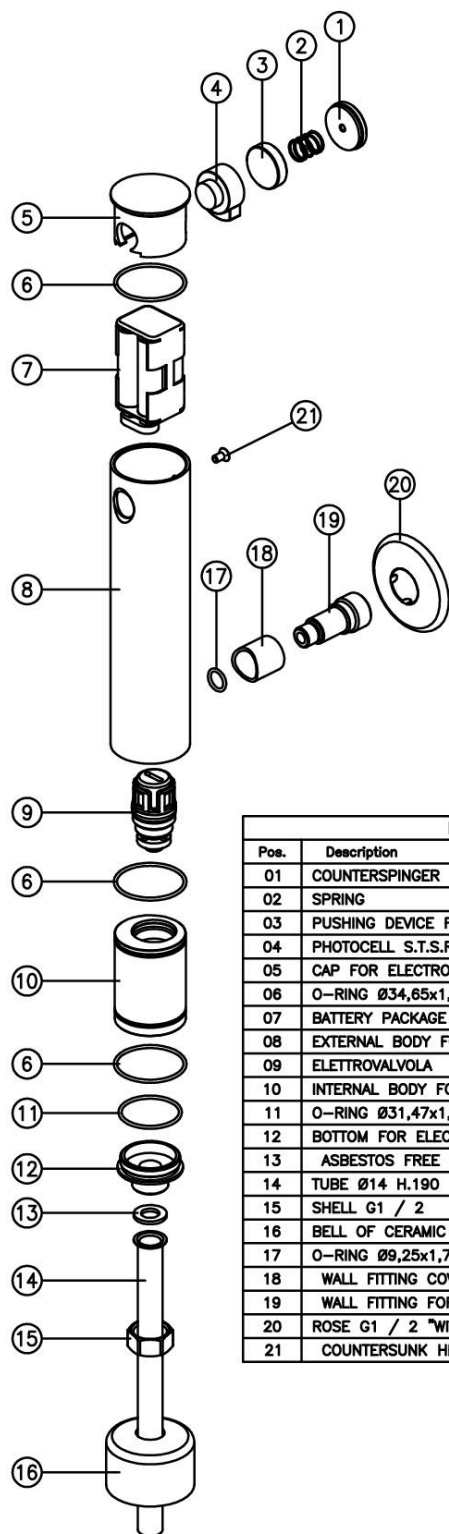


**Water saving up to 85%**



**MADE IN ITALY**

www.mcmtaps.it

**Art.7034**


LIST COMPONENTS		
Pos.	Description	Q.tà
01	COUNTERSPINGER FOR ELECTRONIC URINAL	01
02	SPRING	01
03	PUSHING DEVICE FOR ELECTRONIC URINAL	01
04	PHOTOCELL S.T.S.R.	01
05	CAP FOR ELECTRONIC URINAL	01
06	O-RING Ø34,65x1,78 NBR 70 Sh	03
07	BATTERY PACKAGE	01
08	EXTERNAL BODY FOR ELECTRONIC URINAL	01
09	ELETTROVALVOLA	01
10	INTERNAL BODY FOR ELECTRONIC URINAL	01
11	O-RING Ø31,47x1,78 NBR 70 Sh	01
12	BOTTOM FOR ELECTRONIC URINAL	01
13	ASBESTOS FREE GASKET Ø18,5x10,5x2	01
14	TUBE Ø14 H.190	01
15	SHELL G1 / 2	01
16	BELL OF CERAMIC COVER	01
17	O-RING Ø9,25x1,78 NBR 70 Sh	01
18	WALL FITTING COVER FOR ELECTRONIC URINAL	01
19	WALL FITTING FOR ELECTRONIC URINAL	01
20	ROSE G1 / 2 WITH WINGS	01
21	COUNTERSUNK HEAD SCREW HEXAGONAL M4x8	01