

Art.7030B

Electronic basin mixer.

Characteristic:

Standard flow at 3 bar : 40 L/min.
 Flow rate with adjuster: 6 L/min,5 L/min,8 L/min
 Pressure: (0.5– 6) bar
 Temperature: Max 80°
 Standard closing time: 6"

Materials:

- Body in chromed brass plated brass conform to EN 1982, EN 12164, EN 12165 standards
- Cover in chromed brass conform to EN 1982, EN 12164, EN 12165 standards
- Base in chromed brass conform to EN 1982, EN 12164, EN 12165 standards

Reference standard:

EN 816:2017

Features:

- Timing in conformity with EN 816
- Treatment of the nickel-chrome surface conformity with EN 248 standard
- Resistance to saline aggression 200h conformity to EN ISO 9227 standard

Accessories/ components supplied:

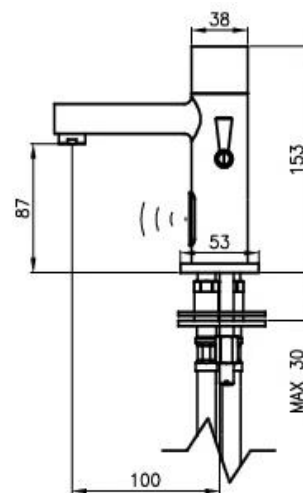
Fixing kit
 Sensor assembly with new cables
 Aerator 18x1
 Flexible INOX
 Valve MICRO
 Battery kit
 Kit 2 self-tapping screws

Options:

Antivandal
 Nichel FREE

Note:

- Use a filter upstream of the system
- Cleaning only with water and soft cloth avoiding acids and abrasives
- You can buy alkaline or lithium batteries



2 anni



Water saving up to 85%



MADE IN ITALY

www.mcmtaps.it

Art.7030B

LIST COMPONENT		
Pos.	Description	Q.tà
01	GRAIN M4x4	01
02	PLUG	01
03	VALVE	01
04	TAP BODY 7030	01
05	O-RING Ø8,73x1,78 NBR 70 Sh	02
06	KNOB FOR AUCTION Ø11 H.28	01
07	MIXER STEM	01
08	RED / BLUE INDICATOR	01
09	SCREW	01
10	BASE	01
11	O-RING Ø45x2,5 NBR 70 Sh	01
12	ELECTRONIC BOARD	01
13	LUX ELECTRONIC BOARD SEAT	01
14	AERATOR M18x1	01

