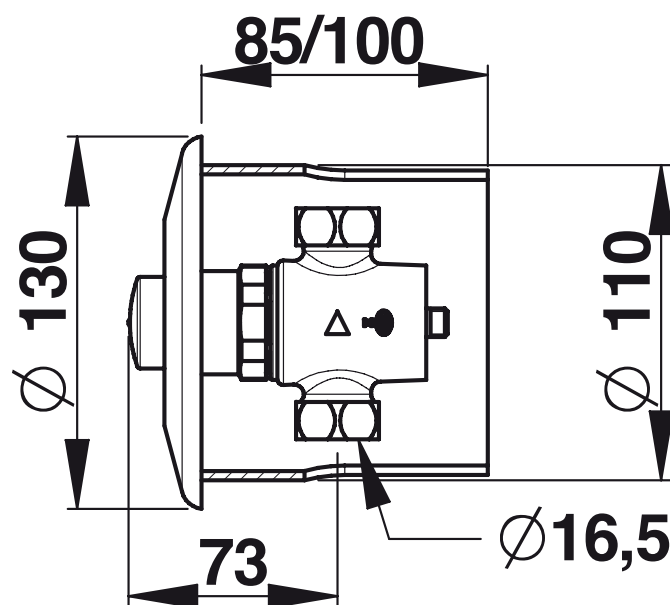


Range: Timed flow single tap for shower

Ref: 38212 - PRESTO P 50 B Concealed single tap



> Working pressure :

- 1 to 5,5 bar (14.50 to 72.5 psi)

> Flow :

- 10 l/min at 3 bar (2.64 gallon/mn at 43.51 psi) with integrated flow limiter
- Flow rate control through a ring nut
- Anti-water-hammering device

> Flow time :

- 30 seconds (± 5 sec.)

> Hydraulic supply :

- M G 3/4" (20x27) - Cold or premixed water

> Thermal resistance :

- Resistant to a temperature of 75°C / 167°F for 30-minute-thermal-shocks

> Security :

- Non-turnable, push button
- Non-removable, wear-proof red marker

> Delivered with :

- 2 NPT G3/4" connectors
- 1 Autoblock rosette
- 1 Installation pattern
- 1 Flat gasket
- 1 Filter gasket
- Instruction manual

> Standards & approvals :

- CSA B125.1 / ASME A112.18.1
- Acoustic class II
- Brass body in accordance with EN 1982, EN 12164, EN 12165
- Molded chrome-plated body in accordance with EN 12540
- 200-hour neutral salt spray resistant (NSS) in accordance with ISO 9227

Ce document n'est pas contractuel ; nous nous réservons le droit de modifier les caractéristiques de nos produits sans préavis. Toutes nos marques et tous modèles sont déposés.

