

DHC Trend Electric Tankless Water Heaters

› Compact point-of-use model with selectable power output for commercial applications



Features

- › Unlimited supply of hot water
- › Suitable for hard and soft water areas
- › Largely unsusceptible to scale build-up
- › Switchable power output means fewer models spec more jobs
- › High limit switch with manual reset
- › Easy installation 1/2" NPT connections
- › Engineered in Germany to be the best
- › Exclusive design prevents dry firing
- › No T & P relief valve needed (Check local code)
- › 10-year leakage/3-year parts warranty
- › Direct Coil™ nichrome heating element housed in glass-reinforced polyamide heating chamber
- › On-demand, continuous hot water
- › No standby heat loss with tankless design
- › 99% efficiency
- › Mounts on wall at point-of-use
- › Cold water only line needed to be run to lavatory
- › Compact European design allow mounting in cabinet
- › Compatible with sensor actuated or metered faucets
- › Tankless design prevents Legionella bacteria growth



Models & Technical Data

Model	DHC 3/3.5-1 Trend	DHC 4/6-2 Trend		DHC 8/10-2 Trend		DHC 12/15-2 Trend	
Item no.	200060	200062		200063		200064	
Phase - 50/60 Hz	1						
Voltage	120 v	240 v	208 v	240 v	208 v	240 v	208 v
Wattage ¹ , jumper position 1 [low] / 2 [high]	3 kW / 3.5 kW	3.8 kW / 6 kW	2.9 kW / 4.5 kW	7.2 kW / 9.6 kW	5.4 kW / 7.2 kW	12 kW / 14.4 kW	9 kW / 10.8 kW
Amperage, jumper position 1 [low] / 2 [high]	25 A / 29.2 A	15.8 A / 25 A	13.9 A / 21.7 A	30 A / 40 A	26 A / 34.6 A	50 A / 60 A	43.3 A / 52 A
Min. recommended circuit breaker size ² , jumper position 1 [low] / 2 [high]	25 A / 30 A	20 A / 25 A	15 A / 25 A	30 A / 40 A	30 A / 35 A	50 A / 60 A	50 A / 60 A
Min. recommended AWG wire size ³ , jumper position 1 [low] / 2 [high]	10/2 / 10/2	12/2 / 10/2	14/2 / 10/2	10/2 / 8/2	10/2 / 8/2	8/2 / 6/2	8/2 / 6/2
Minimum water flow to activate unit	0.264 gpm (1.0 l/min)						
Weight	5.5 lb (2.5 kg)						
Dimensions	Height 14 ¹ / ₈ " (360 mm) x Width 8" (202 mm) x Depth 4 ⁵ / ₁₆ " (109 mm)						
Nominal water volume	0.07 gal (0.277 l)						
Max. permissible inlet temperature	149 °F (65 °C)						
Maximum permissible pressure	145 psi (10 bar)						
Water connections ³	1/2" NPT						

DHC 3/3.5-1 Trend and 4/6-2 Trend ship with pressure compensating flow-reducer/aerators that must be installed.

1 Factory default setting is jumper position 2 [high]

2 Overcurrent protection sized at 100% of load. Tankless water heaters are considered a non-continuous load. Use only GFCI Class A circuit breakers.

3 Copper conductors with a temperature rating of 75 °C or greater must be used. Conductors should be sized to maintain a voltage drop of less than 3% under load.

These are our recommendations. Check local codes for compliance if necessary.

rev. 11.2021 | Due to our continuous process of engineering and technological advancement, specifications may change without notice.

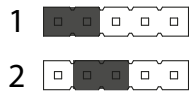
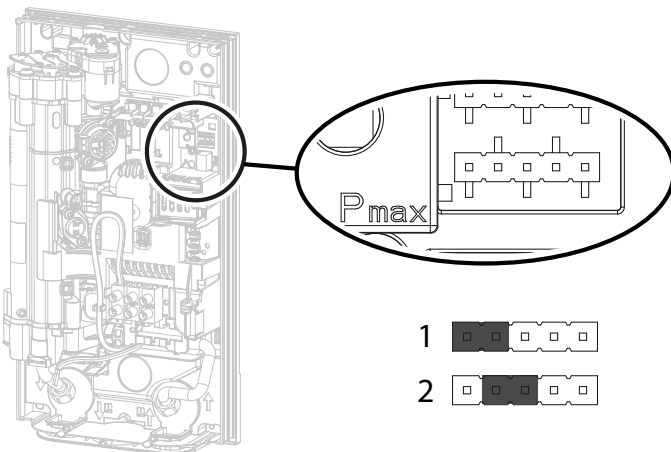
Technical Data & Wiring Diagrams

Model	Power output in kW			100°F DHW output in gpm			
	Rated voltage			Cold water inlet temperature			
	120 V	208 V	240 V	41°F	50°F	59°F	68°F
DHC 3/3.5-1 Trend	3.0			0.35	0.41	0.5	0.64
Trend	3.5			0.41	0.48	0.58	0.75
		2.9		0.34	0.4	0.48	0.62
DHC 4/6-2 Trend		4.5		0.52	0.61	0.75	0.96
			3.8	0.44	0.52	0.63	0.81
			6.0	0.69	0.82	1.0	1.28
		5.4		0.63	0.74	0.9	1.15
DHC 8/10-2 Trend		7.2		0.83	0.98	1.2	1.54
			7.2	0.83	0.98	1.2	1.54
			9.6	1.11	1.31	1.6	2.05
		9.0		1.04	1.23	1.5	1.92
DHC 12/15-2 Trend		10.8		1.24	1.46	1.78	2.28
			12.0	1.39	1.64	2.0	2.56
			14.4	1.67	1.97	2.4	3.07

Model	Power output in kW			122°F DHW output in gpm			
	Rated voltage			Cold water inlet temperature			
	120 V	208 V	240 V	41°F	50°F	59°F	68°F
DHC 3/3.5-1 Trend	3.0			-	0.28	0.33	0.38
Trend	3.5			0.3	0.33	0.38	0.44
		2.9		-	0.28	0.31	0.37
DHC 4/6-2 Trend		4.5		0.38	0.43	0.49	0.57
			3.8	0.32	0.36	0.41	0.48
			6.0	0.51	0.57	0.65	0.76
		5.4		0.46	0.51	0.59	0.68
DHC 8/10-2 Trend		7.2		0.61	0.68	0.78	0.91
			7.2	0.61	0.68	0.78	0.91
			9.6	0.81	0.91	1.04	1.21
		9.0		0.76	0.85	0.98	1.14
DHC 12/15-2 Trend		10.8		0.9	1.02	1.16	1.35
			12.0	1.01	1.14	1.3	1.52
			14.4	1.21	1.37	1.56	1.82

DHC Trend is adjustable to deliver 2 stages of power output. Factory-default setting is stage 2 [high].

If lower output is needed, set the red jumper to stage 1 [low].

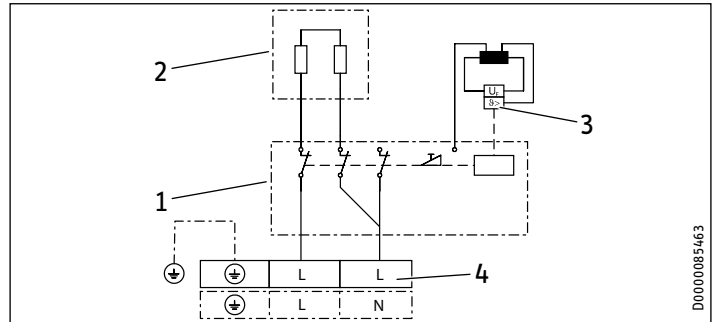


DHC 3/3.5-1 Trend

1/N/GND ~ 120V

DHC 4/6-2 Trend

2/GND ~ 208 / 240V

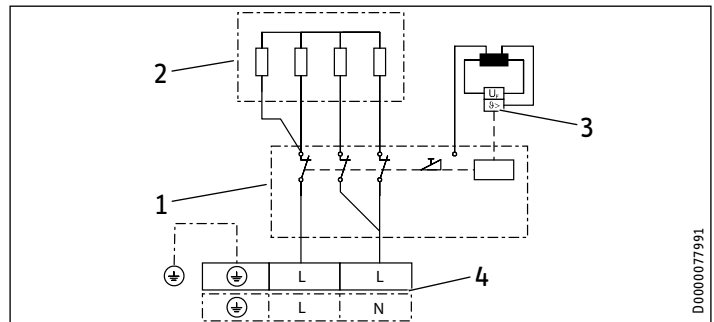


- 1 Power PCB with integral safety switch
- 2 Direct Coil™ heating system
- 3 Self-resetting high limit safety cut-out, Klixon
- 4 Wiring block

DHC 8/10-2 Trend | DHC 12/15-2 Trend

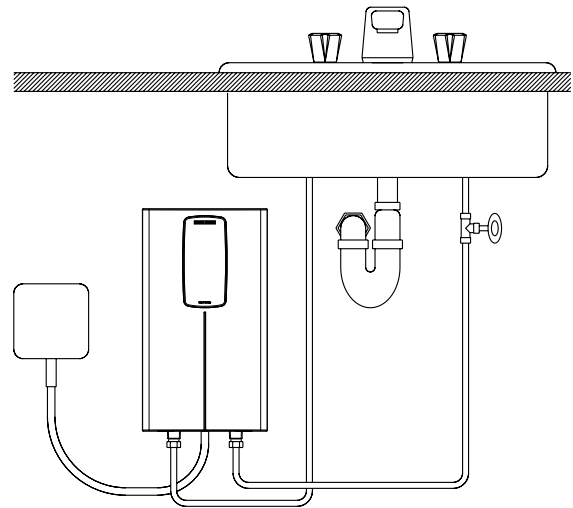
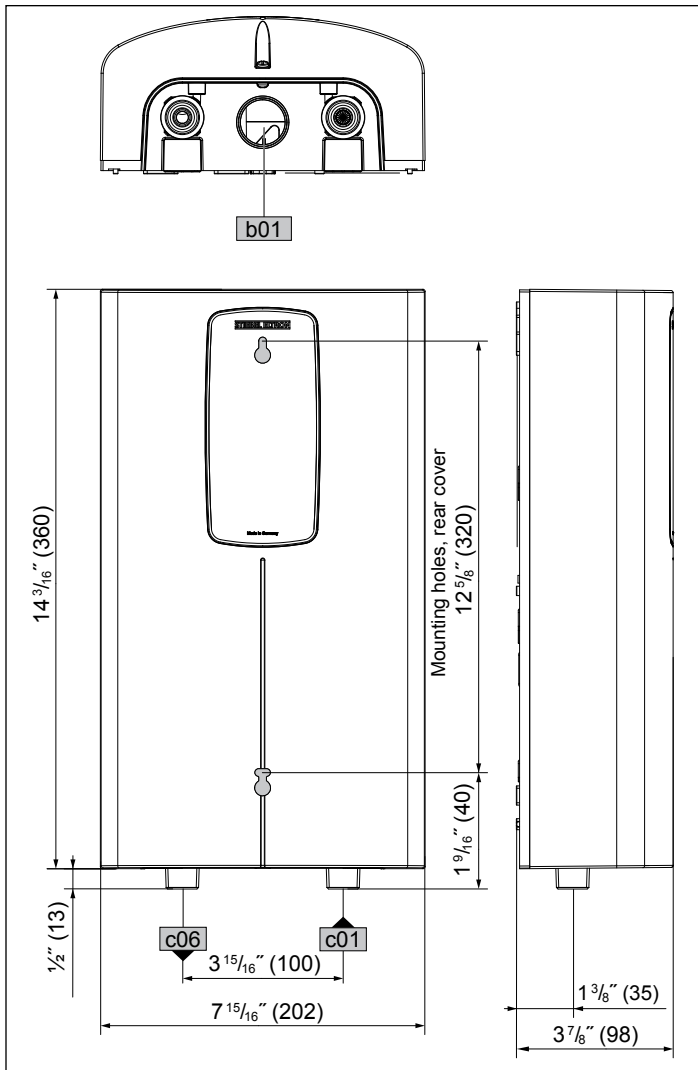
2/GND ~ 208 / 240 V

1/N/GND ~ 208 / 240 V



- 1 Power PCB with integral safety switch
- 2 Direct Coil™ heating system
- 3 Self-resetting high limit safety cut-out, Klixon
- 4 Wiring block

Dimensions



Intertek

Certified to ANSI/UL
Std. 499
Conforms to CAN/CSA
Std. C22.2 No.64

ISO 9001
CERTIFIED



Tested and certified by WQA
against NSF/ANSI 372 for
lead free compliance.

Specification

The electric tankless water heater shall be equipped with a direct coil nichrome heating element housed in a pressure-tested, glass-reinforced polyamide heating chamber. The unit shall be equipped with a flow sensor with a miniaturized turbine that feeds the water flow rate information into the main circuit board. Temperature output shall be adjustable by jumper during installation at one of the following values: 100 °F (38 °C), 109 °F (43 °C), 122 °F (50 °C), or 140 °F (60 °C). The unit shall be equipped with a safety high-limit switch with manual reset that triggers at 185 °F (85 °C). The water connections shall be designed for standard 1/2" NPT female adapter. The housing of the unit shall be made of high impact polycarbonate plastic. The unit shall be certified to ANSI ANSI/UL Std. 499 and conform to CAN/CSA Std. C22.2 No.64.

Engineer/Architect _____	Date _____
Job Name/Customer _____	Location _____
Contractor _____	Representative _____
	Qty kW Voltage Amps
DHC Trend model _____	_____