

## DHC-E Trend & DHC-E Plus Electric Tankless Water Heaters

› Compact point-of-use model with selectable power output for commercial applications

### Features

- › Unlimited supply of hot water
- › Suitable for hard and soft water areas
- › Largely unsusceptible to scale build-up
- › Switchable power output means fewer models spec more jobs
- › High limit switch with manual reset
- › Easy installation 1/2" NPT connections
- › Interactive backlit display
- › DHC-E Plus models feature Advanced Flow Control™ and larger display with more info
- › Engineered in Germany to be the best
- › Exclusive design prevents dry firing
- › No T & P relief valve needed (Check local code)
- › 10-year leakage/3-year parts warranty
- › Direct Coil™ nichrome heating element housed in glass-reinforced polyamide heating chamber
- › On-demand, continuous hot water
- › No standby heat loss with tankless design
- › 99% efficiency
- › Mounts on wall at point-of-use
- › Cold water only line needed to be run to lavatory
- › Compact European design allow mounting in cabinet
- › Compatible with sensor actuated or metered faucets
- › Tankless design prevents Legionella bacteria growth



### Models & Technical Data

Model	DHC-E 3/3.5-1 Trend	DHC-E 4/6-2 Trend		DHC-E 8/10-2 Trend DHC-E 8/10-2 Plus		DHC-E 12/15-2 Trend DHC-E 12/15-2 Plus	
Item no.	200057	200061		200058 (Trend) 202145 (Plus)		200059 (Trend) 200056 (Plus)	
Phase - 50/60 Hz	1						
Voltage	120 V	240 V	208 V	240 V	208 V	240 V	208 V
Wattage <sup>1</sup> , jumper position 1 [low] / 2 [high]	3 kW / 3.5 kW	3.8 kW / 6 kW	2.9 kW / 4.5 kW	7.2 kW / 9.6 kW	5.4 kW / 7.2 kW	12 kW / 14.4 kW	9 kW / 10.8 kW
Amperage, jumper position 1 [low] / 2 [high]	25 A / 29.2 A	15.8 A / 25 A	13.9 A / 21.7 A	30 A / 40 A	26 A / 34.6 A	50 A / 60 A	43.3 A / 52 A
Min. recommended circuit breaker size <sup>2</sup> , jumper position 1 [low] / 2 [high]	25 A / 30 A	20 A / 25 A	15 A / 25 A	30 A / 40 A	30 A / 35 A	50 A / 60 A	50 A / 60 A
Min. recommended AWG wire size <sup>3</sup> , jumper position 1 [low] / 2 [high]	10/2 / 10/2	12/2 / 10/2	14/2 / 10/2	10/2 / 8/2	10/2 / 8/2	8/2 / 6/2	8/2 / 6/2
Minimum water flow to activate unit	0.264 gpm (1.0 l/min)						
Weight	5.5 lb (2.5 kg)						
Dimensions	Height 14 1/8" (360 mm) x Width 8" (202 mm) x Depth 4 5/16" (109 mm)						
Nominal water volume	0.07 gal (0.277 l)						
Max. permissible inlet temperature	149°F (65°C)						
Maximum permissible pressure	145 psi (10 bar)						
Water connections <sup>3</sup>	1/2" NPT						

DHC-E 3/3.5-1 Trend and 4/6-2 Trend ship with pressure compensating flow-reducer/aerators that must be installed.

1 Factory default setting is jumper position 2 [high]

2 Overcurrent protection sized at 100% of load. Tankless water heaters are considered a non-continuous load. Use only GFCI Class A circuit breakers.

3 Copper conductors with a temperature rating of 75°C or greater must be used. Conductors should be sized to maintain a voltage drop of less than 3% under load.

These are our recommendations. Check local codes for compliance if necessary.

# Technical Data & Wiring Diagrams

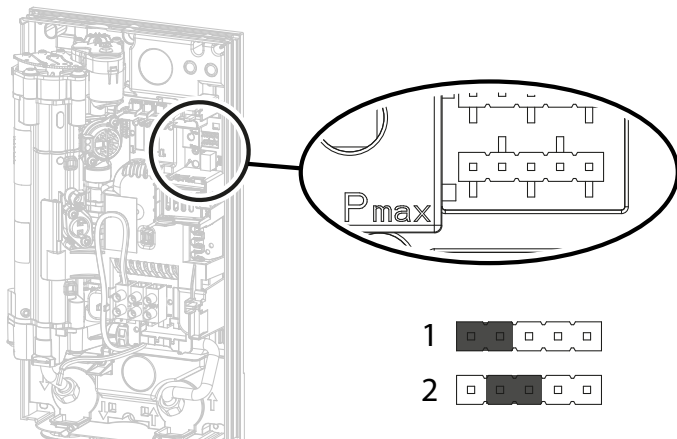
Model	Power output in kW			100°F DHW output in gpm			
	Rated voltage			Cold water inlet temperature			
	120 V	208 V	240 V	41°F	50°F	59°F	68°F
DHC-E 3/3.5-1 Trend	3.0			0.35	0.41	0.5	0.64
	3.5			0.41	0.48	0.58	0.75
	2.9			0.34	0.4	0.48	0.62
DHC-E 4/6-2 Trend	4.5			0.52	0.61	0.75	0.96
		3.8		0.44	0.52	0.63	0.81
		6.0		0.69	0.82	1.0	1.28
	5.4			0.63	0.74	0.9	1.15
DHC-E 8/10-2 Trend	7.2			0.83	0.98	1.2	1.54
		7.2		0.83	0.98	1.2	1.54
		9.6		1.11	1.31	1.6	2.05
	9.0			1.04	1.23	1.5	1.92
DHC-E 12/15-2 Trend & Plus	10.8			1.24	1.46	1.78	2.28
		12.0		1.39	1.64	2.0	2.56
		14.4		1.67	1.97	2.4	3.07

Model	Power output in kW			122°F DHW output in gpm			
	Rated voltage			Cold water inlet temperature			
	120 V	208 V	240 V	41°F	50°F	59°F	68°F
DHC-E 3/3.5-1 Trend	3.0			-	0.28	0.33	0.38
	3.5			0.3	0.33	0.38	0.44
	2.9			-	0.28	0.31	0.37
DHC-E 4/6-2 Trend	4.5			0.38	0.43	0.49	0.57
		3.8		0.32	0.36	0.41	0.48
		6.0		0.51	0.57	0.65	0.76
	5.4			0.46	0.51	0.59	0.68
DHC-E 8/10-2 Trend & Plus	7.2			0.61	0.68	0.78	0.91
		7.2		0.61	0.68	0.78	0.91
		9.6		0.81	0.91	1.04	1.21
	9.0			0.76	0.85	0.98	1.14
DHC-E 12/15-2 Trend & Plus	10.8			0.9	1.02	1.16	1.35
		12.0		1.01	1.14	1.3	1.52
		14.4		1.21	1.37	1.56	1.82

DHC-E Trend & Plus are adjustable to deliver 2 stages of power output.

Factory-default setting is stage 2 [high].

If lower output is needed, set the red jumper to stage 1 [low].

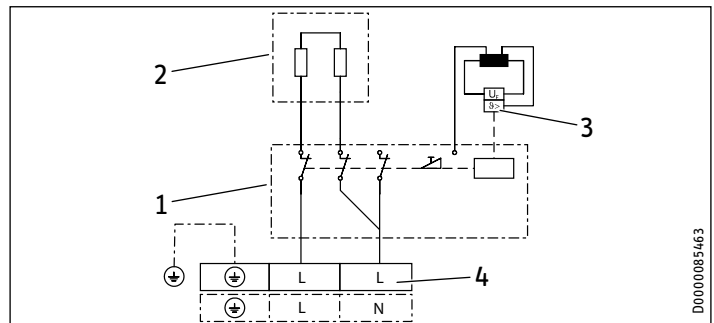


## DHC-E 3/3.5-1 Trend

1/N/GND ~ 120V

## DHC-E 4/6-2 Trend

2/GND ~ 208 / 240V

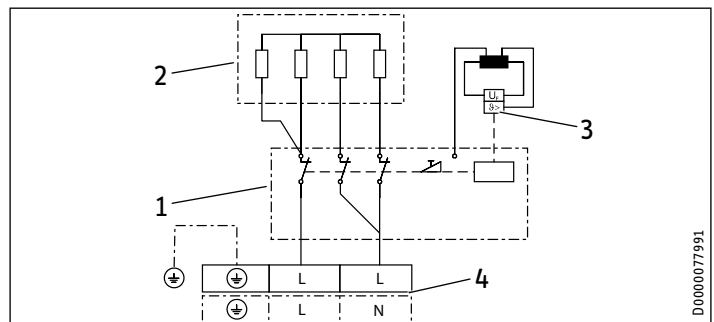


- 1 Power PCB with integral safety switch
- 2 Direct Coil™ heating system
- 3 Self-resetting high limit safety cut-out, Klixon
- 4 Wiring block

## DHC-E 8/10-2 Trend & Plus | DHC-E 12/15-2 Trend & Plus

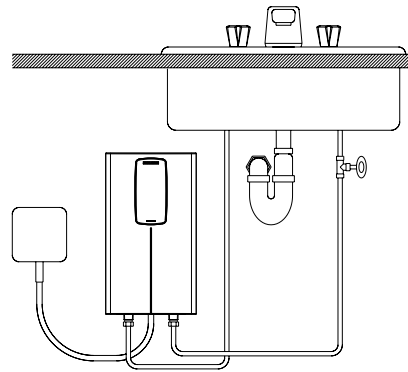
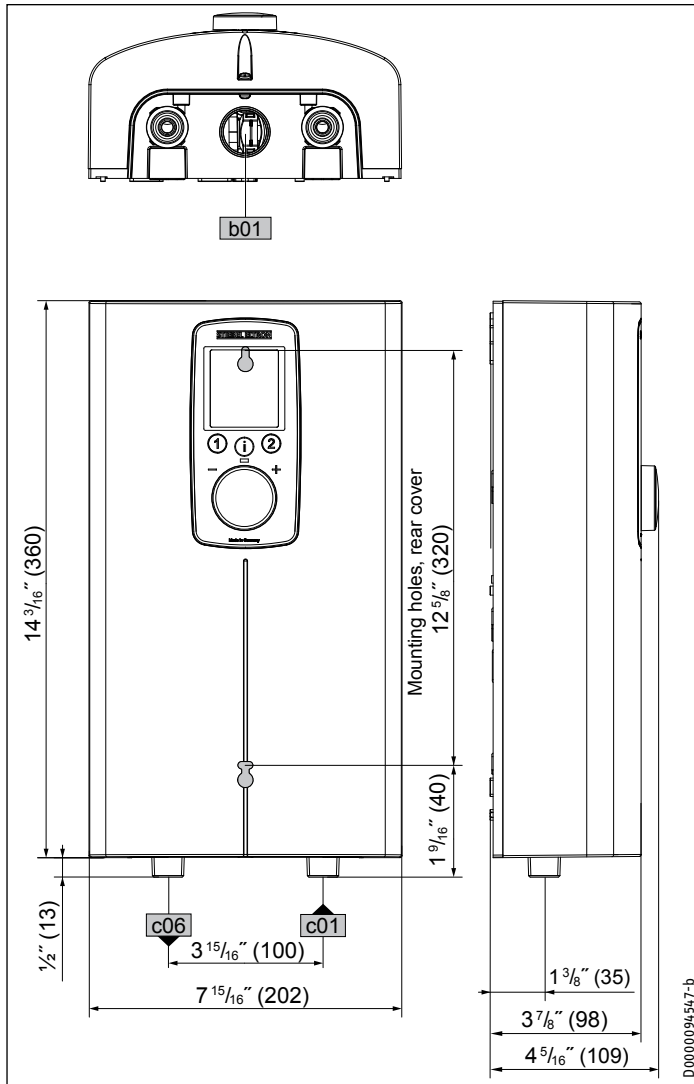
2/GND ~ 208 / 240V

1/N/GND ~ 208 / 240V



- 1 Power PCB with integral safety switch
- 2 Direct Coil™ heating system
- 3 Self-resetting high limit safety cut-out, Klixon
- 4 Wiring block

# Dimensions



Intertek

Certified to ANSI/UL  
Std. 499  
Conforms to CAN/CSA  
Std. C22.2 No.64

**ISO 9001  
CERTIFIED**



Tested and certified by WQA  
against NSF/ANSI 372 for  
lead free compliance.

		DHC-E
b02	Entry electrical cables I	
c01	Cold water inlet	Male thread 1/2" NPT
c06	DHW outlet	Male thread 1/2" NPT

# Specification

The electric tankless water heater shall be equipped with a direct coil nichrome heating element housed in a pressure-tested, glass-reinforced polyamide heating chamber. The unit shall be equipped with a flow sensor with a miniaturized turbine that feeds the water flow rate information into the main circuit board. The output temperature shall be adjustable between 68 °F (20 °C) and 140 °F (60 °C). The temperature adjustment shall be via a knob that is positioned on the front cover. The unit shall be equipped with a safety high-limit switch with manual reset that triggers at 185 °F (85 °C). The water connections shall be designed for standard 1/2" NPT female adapter. The housing of the unit shall be made of high impact polycarbonate plastic. DHC-E Plus models shall be equipped with Advanced Flow Control™ (German patent DE 3805441 C2, among others) to automatically adjust the flow of water to ensure a constant output temperature, even if demand exceeds capacity. The unit shall be certified to ANSI ANSI/UL Std. 499 and conform to CAN/CSA Std. C22.2 No.64.

Engineer/Architect \_\_\_\_\_ Date \_\_\_\_\_

Job Name/Customer \_\_\_\_\_ Location \_\_\_\_\_

Contractor \_\_\_\_\_ Representative \_\_\_\_\_

Qty \_\_\_\_\_ kW \_\_\_\_\_ Voltage \_\_\_\_\_ Amps \_\_\_\_\_

DHC Trend model \_\_\_\_\_