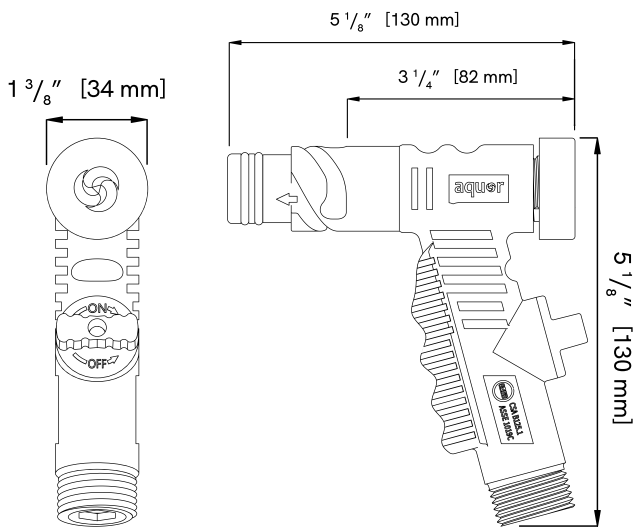


# Vacuum Breaker Hose Connector

CN-VB1 -BLK

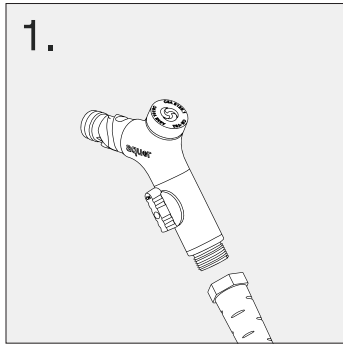


The Vacuum Breaker Connector provides backflow prevention. Can be used with any of our hydrants or outlets. The angled handle provides extra leverage for ease of use. Integrated ball valve for flow control. Use with or without a garden hose.

- Use with any garden hose
- Standard 3/4" garden hose thread
- Built-in ball valve for flow control
- Vacuum breaker for backflow prevention
- ASSE 1019 & CSA B125 certified

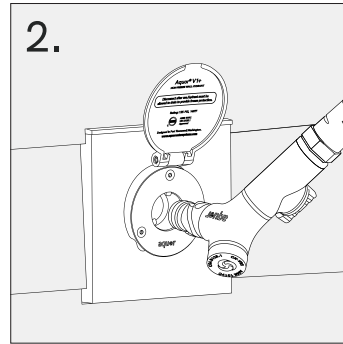
<b>Compatibility</b>	All Aquor hydrants & valves
<b>Color</b>	Slate Gray, Jet Black
<b>Outlet</b>	3/4" GHT (m)
<b>Backflow Protection</b>	Yes
<b>Operating Temperature</b>	33-140 °F
<b>Operating Water Pressure</b>	25-125 PSI
<b>Flow Rate</b>	6.8 GPM @ 52 PSI
<b>Connector Material</b>	Acetal Resin Polymer
<b>O-Ring Material</b>	Fluorocarbon Rubber
<b>Warranty</b>	5 Years
<b>Certifications</b>	ASSE 1019 & CSA B125
<b>SKU</b>	CN-VB1, CN-VB1-BLK

## Connecting to your Aquor Hydrant



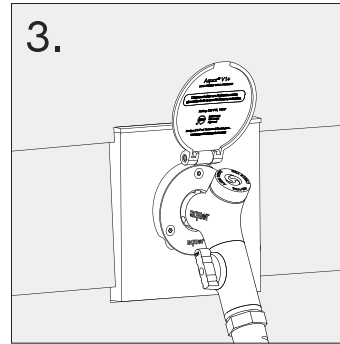
First thread your hose connector onto any hose.

*Comfort Grip shown for demonstration.*



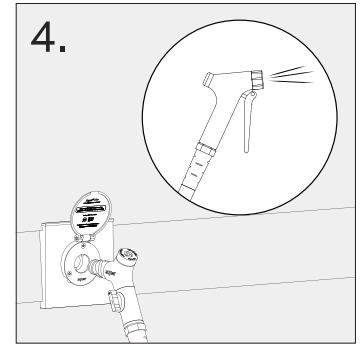
To connect, align the 3 grooves on the connector with the nibs on the hydrant. Gently push in, then twist clockwise.

*Comfort Grip shown for demonstration.*



Once you connect, the valve opens and water flow starts instantly.

*Comfort Grip shown for demonstration.*



Disconnect and depressurize your hose before storing.

*Comfort Grip shown for demonstration.*