

**PRODUCT FEATURES:**

Single handle sink faucet, includes push drain with overflow.
Single control cartridge 28 mm with metal lever.
High hardness ceramic discs assures and extend cartridge lifetime without leakage.
Easy installation and maintenance.
This product can be used to help achieve water efficiency goals as well as gaining USGBC LEED points.

MATERIALS:

Solid brass, for durability and reliability.
Finishes with ultra high resistance to corrosion and tarnishing.

ACCESORIES:

Aerator key.
9/64" allen wrench.
5/64" allen wrench.
1-1/4" hexagonal wrench.
Insert for sink installation without overflow.

INSTALLATION:

1/2" - 14 NPSM connection.

OPERATION:

To open the water flow turn the handle, the temperature will gradually increased.

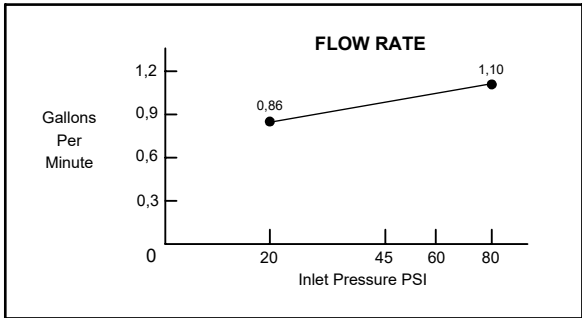
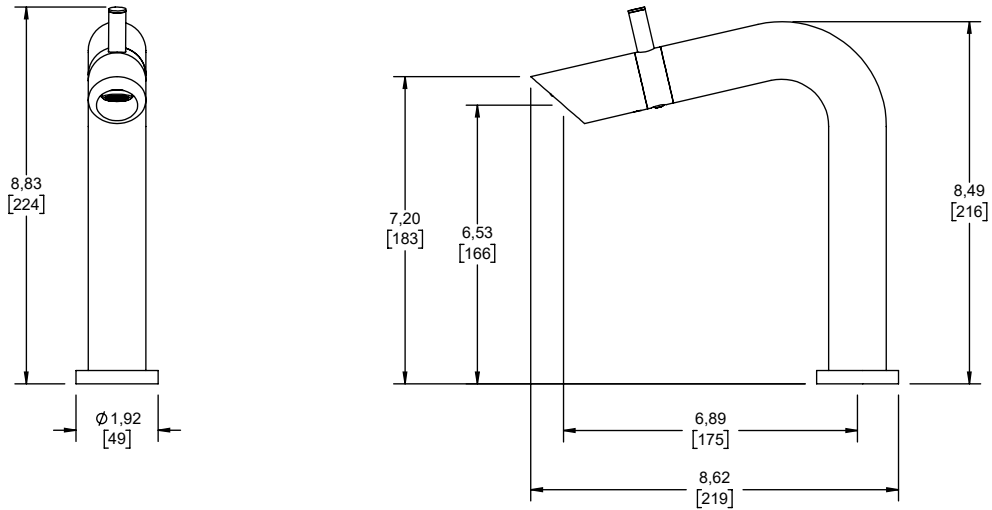
CODES AND STANDARDS:

ASME A112.18.1 / CSA B125.1-2018,
Plumbing Supply Fittings
NSF/ANSI 61/ANSI-2020, Drinking Water
System Components - Health Effects
NSF/ANSI 372-2016, Drinking Water Systems
Components - Lead Content
EPA Water Sense High-Efficiency Lavatory Faucet
CEC/DOE-ENERGY POLICY ACT 1992

FINISHINGS:

BB PVD Brushed Brass
BW Bright White
MB Matte Black
PC Polished Chrome
PCO PVD Polished Copper
PG PVD Polished Gold
PGH PVD Polished Graphite
PN PVD Polished Nickel
RG PVD Rose Gold
SC PVD Satin Copper
SGH PVD Satin Graphite
SN PVD Satin Nickel
SRG PVD Satin Rose Gold

Estimated Dimensions Dim. inch. [mm]



WORKING PRESSURE:

Pmin.= 20 PSI
 Pmax.= 80 PSI

MAXIMUM FLOW RATE:

1,10 GPM

NOTES:

Install the product according to the Installation Guide.