

TECHNICAL SPECIFICATIONS

CONNECTIONS



TOILET



SINK



SHOWER



BATHTUB



LAUNDRY
SINK



WASHING
MACHINE

APPLICATIONS



RESIDENTIAL



COMMERCIAL

Sanibest Pro[®] Grinder

INSTALLATION BEHIND THE TOILET



Example of installation. Follow local plumbing codes for actual install.

INSTALLATION BEHIND THE WALL



Example of installation. Follow local plumbing codes for actual install.

The **Sanibest Pro** is a **1 HP pump system** used to install a complete bathroom **up to 25 feet below the sewer line, or even up to 150 feet away** from a soil stack. It incorporates a **grinder system** which is ideal for uncontrolled environments in both residential and commercial applications (ie. rental unit, offices, warehouses, etc). The Sanibest Pro is designed to **handle sanitary products** that may have been flushed down the toilet; such may consist of condoms, sanitary napkins, q-tips, dental floss, etc.

- **Discharges the waste through a 3/4" or 1" rigid pipe. A non-return valve is included** on the discharge elbow assembly provided with the system. This elbow can be rotated 360 degrees depending on the discharge installation.
- Has been designed with a **1-1/2" vent connection** on the top of the lid. All plumbing codes require connection to a vent system. Please note that the vent system should be a two-way air vent as air needs to freely flow both ways. Note: The use of mechanical vents, air admittance valves or similar devices is not permitted.
- Must be connected to **Saniflo's 1.28 GPF / 4.8 LPF rear discharge toilet**. These toilets come in round and elongated (ADA compliant) models. More technical information on page 6.
- Will also discharge gray water from any **sink, bath/shower, urinal and even a washing machine** (indirect connection). The wastewater will drain into the system via **two 2" inlets with built-in check valves** on either side of the housing. Note that when adding a bathtub/shower, the base should be raised up by a minimum of 8" off the floor.
- An **easy access service panel** is located on top of the pump. This will give you easy access to the electrical components such as the capacitor, microswitch, electronic board and membrane. For a full list of parts, please refer to the next page.



PUMPING DISTANCE

25 Ft



150 Ft



Toilet Tank (Part N° 005)

Insulated 1.28 GPF / 4.8 LPF toilet tank equipped with all internal valves. For more information, please turn to page 6.

Round/Elongated Bowl (Part N° 083 or 087)

Rear discharge toilet with 16 3/4" seating height (Elongated bowl is ADA compliant). For more information, please turn to page 6.

Extension Pipe (Part N° 030)

18" long PVC pipe with internal gasket used to hide the pump behind the wall. For more information, please turn to page 51.

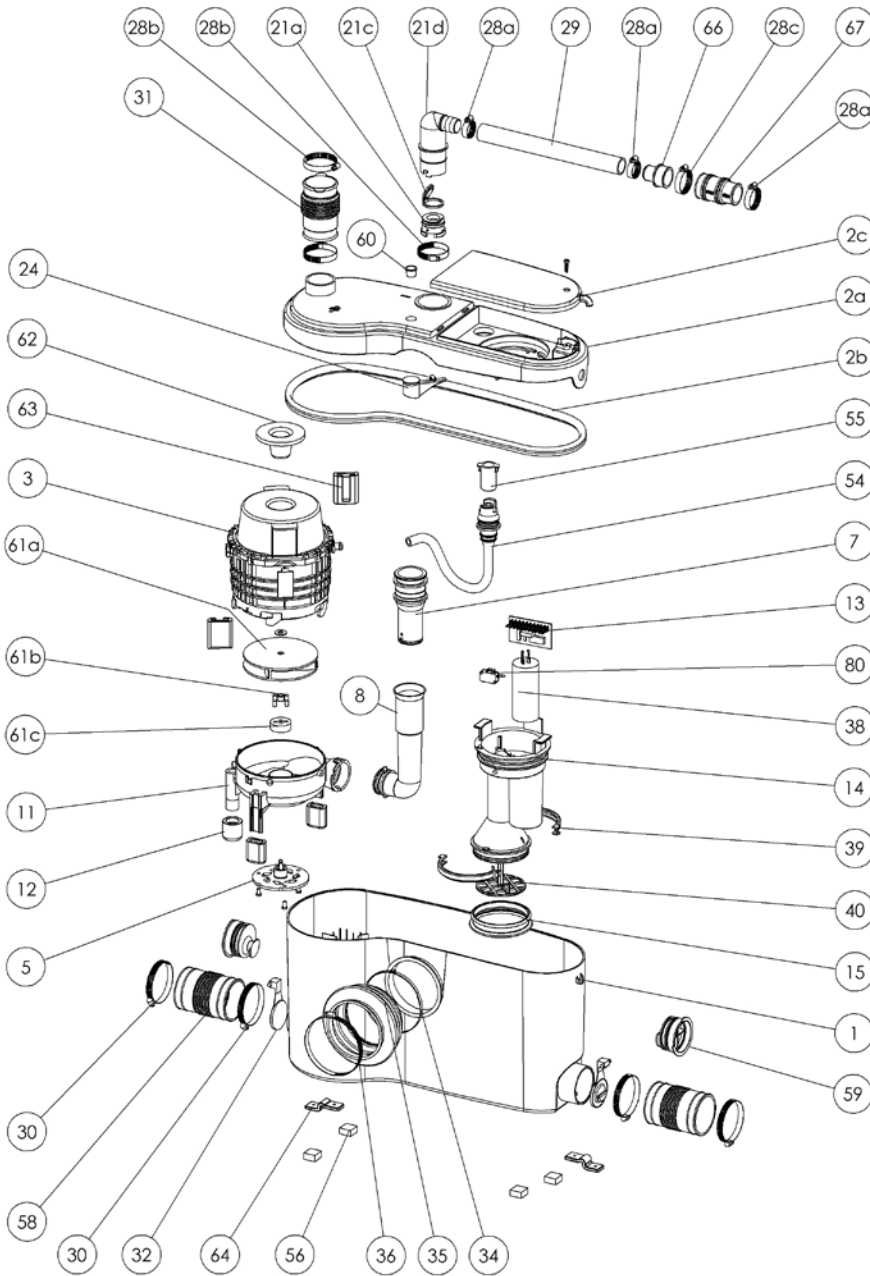
Sanibest Pro (Part N° 013)

1 HP grinder pump for commercial applications that is able to handle the accidental flushing of sanitary products from full bathroom applications.

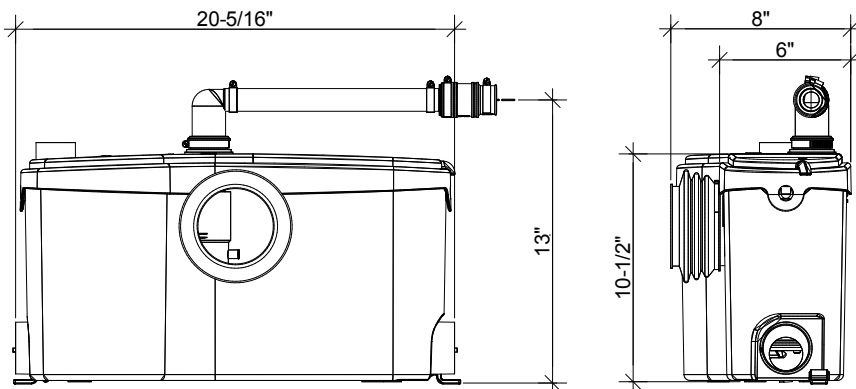


TECHNICAL SPECIFICATIONS

PLEASE CALL US TOLL-FREE AT
800-571-8191 (US) / 800-363-5874 (CDN)
 TO PURCHASE PARTS REFERENCED BELOW



DIMENSIONAL DRAWINGS



Choose any shower, bathtub or sink and enjoy
 your dream bathroom.

TECHNICAL SPECIFICATIONS

Pump type:

Grinder

Electrical:

120 V – 60 Hz / 9 Amps (Max)

Motor:

1 HP oil-filled thermally protected motor

Capacitor rating:

60 microfarad

Operating Temperature:

104°F (110°F Max.)

Power cord length:

49 inches

Noise level:

≤ 63 dBA (Lp) (measured at 3 ft.)

Discharge pipe diameter:

3/4" or 1"

Discharge rate at 25 ft:

19 GPM

Discharge rate at 3 ft:

38 GPM

Shut-off head:

38 ft.

Normal running time:

10-12 seconds

Capacity:

3.2 gallons / 12.1 liters

Inlets:

2" (side), 1-1/2" vent (top)

Method of activation:

Membrane/microswitch

Shower/bathtub base height:

8" min

Weight:

28 lbs / 12.7 kg

Certifying agencies:

CSA (IPC, NSPC), IAPMO (UPC)

Recommended accessories:

Descaler, Sanialarm

Connections:

Rear outlet toilet, sink, shower/bathtub,
 washing machine (indirect connection via
 laundry sink)

