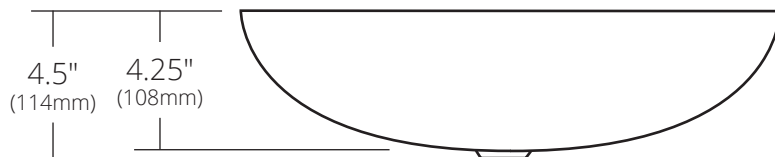
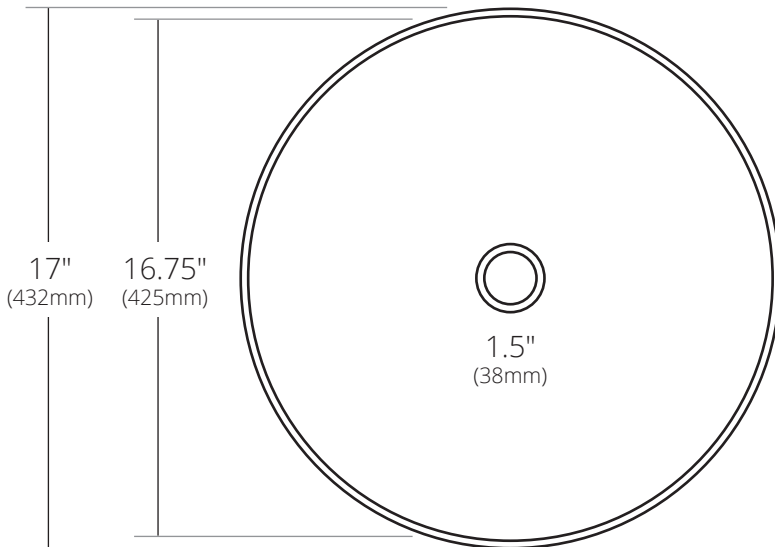


SPECIFICATIONS

MAESTRO SONATA

Maestro Collection



CPS284 Antique
 CPS384 Tempered
 CPS584 Brushed Nickel

PRODUCT DETAILS

- 17" x 4.5" OD (432mm x 114mm)
- 16.75" x 4.25" ID (425mm x 108mm)
- Hand hammered 15 gauge recycled copper
- 1.5" (38mm) drain opening

INSTALLATION

- Vessel

COORDINATING PRODUCTS

- Drains: DR120, DR130 or DR150

STANDARDS COMPLIANCE

- UPC/cUPC compliant

• **ADA**
 COMPLIANT

IMPORTANT

Due to the handcrafted nature of this product, it will vary in finish, texture, hammering, and other details. Dimensions may vary up to ¼" (6mm). We strongly recommend waiting for the actual product before making any installation cuts.