

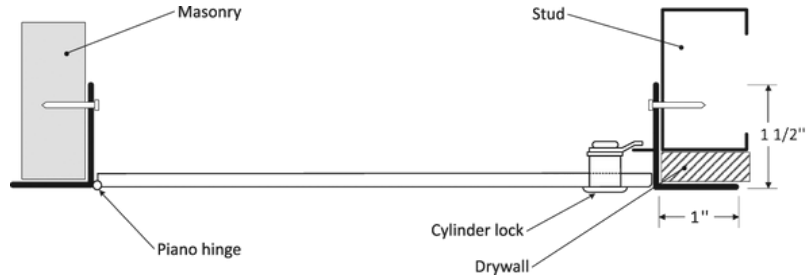
# TECHNICAL DATA SHEET • SPECIFICATIONS

## MEDIUM-SECURITY FLUSH UNIVERSAL ACCESS DOOR WITH EXPOSED FLANGE Key-operated cylinder cam latch, piano hinge

MDS-00

### INSTALLATION

Technical drawing MDS-00

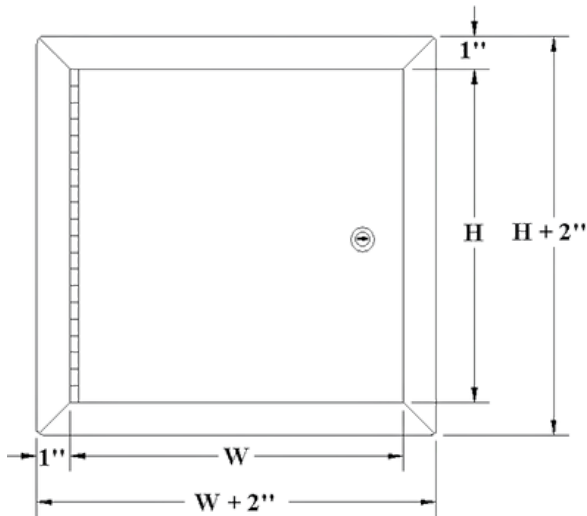


### STANDARD DIMENSIONS AND APPEARANCE

Dimensions • W X H		Number of locks	Weight	
inches	mm		lbs	KG
12 x 12	304 x 304	1	6.8	3.1
16 x 16	406 x 406	1	10.3	4.7
18 x 18	457 x 457	1	12.5	5.7
24 x 24	609 x 609	1	19.9	9.0
24 x 30	609 x 762	2	24.9	11.3
24 x 36	609 x 914	2	28.1	12.8
36 x 36	914 x 914	2	39.8	18.1

Your odd sizes: Made in 5 days

Rough wall opening is door size + 1/4" or + 6 mm



### DESCRIPTION AND MATERIAL SPECIFICATION

<b>Material</b>	14-gauge galvalneal steel
<b>Hinge</b>	Continuous piano hinge, located in the second dimension (height)
<b>Lock / Latch</b>	Key-operated cylinder cam latch with 2 keys per lock
<b>Finish</b>	High quality white powder coat primer
<b>Packaging</b>	Individually wrapped, 1 door per box

#### POPULAR OPTIONS

For complete list of options go to [cendrex.com](http://cendrex.com)

<b>Lock / Latch</b>	Mortise deadbolt lock (-40, cylinder optional), mortise slam latch (-85, cylinder optional)
<b>Handle</b>	Fixed 4" handle (-21), 4" handle-operated slam latch (-22)
<b>Material</b>	Stainless Steel (SS), cold-rolled steel (CR)
<b>Other</b>	Neoprene gasket (-60), louvered door (-140)



### PROJET DATA

Project:	Date:	QTY	W	H
Architech:				
Dealer:				
Contractor:				
Location:				

Tagging instructions:

Special instructions:

Options:

Submittal approval:  
(Signature or stamp)

## OPTIONS

Customize Cendrex's standard products by choosing the size, materials and other options that are right for you.

### LOW SECURITY LOCKING MECHANISM

- 35**  
Screwdriver operated cam latch

---

- 220**  
Screwdriver operated cylinder Cam latch

---

- 80**  
Ring/tool key operated slam latch

---

- 55**  
Hex head slam latch and ring key operated slam latch

---

- 30**  
Slide latch

---

- 50**  
Allen hex head cam latch

### HANDLES

- 25**  
WITH KEY - 4" handle and key operated cam latch

---

- 100K**  
Key-operated recessed handle cam latch with cap over key path

---

- 20**  
WITHOUT KEY - 4" handle operated cam latch

---

- 22**  
WITHOUT KEY - 4" handle operated slam latch

---

- 21**  
WITHOUT KEY Fixed 4" handle

---

- 26**  
WITHOUT KEY - L handle

### MEDIUM SECURITY LOCKING MECHANISM

- 10**  
Key-operated cylinder cam latch

---

- 15**  
Mortise cam latch preparation
- 15C**  
Mortise cam latch preparation, keyed differently
- 15CKA**  
Mortise cam latch preparation, keyed alike

---

- 85**  
Mortise slam latch

---

- 85C**  
Mortise slam latch with cylinder
- 85CKA**  
Mortise slam latch cylinder keyed alike

---

- 90**  
Pinned hex head cam latch

---

- C**  
Cylinder cam latch, keyed differently
- CKA**  
Cylinder cam latch, keyed alike

### MATERIALS

- GS**  
Galvanneal steel

---

- AL**  
Aluminum

---

- SS**  
Stainless steel

---

- CR**  
Cold rolled steel

### HIGH SECURITY LOCKING MECHANISM

- 40**  
Mortise deadbolt lock

---

- 40C**  
Mortise Deadbolt Lock with Cylinder, keyed differently
- 40CKA**  
Mortise deadbolt lock with cylinder, keyed alike

---

- 99**  
Inside release thumbturn for mortise deadbolt lock

---

- 45**  
Mortise preparation for detention deadbolt lock

---

- 46**  
Detention deadbolt lock

---

- 47**  
CIDetention deadbolt Key

### OTHERS

- 60**  
Gasket

---

- 160**  
Holding cable

---

- 240**  
Masonry anchors