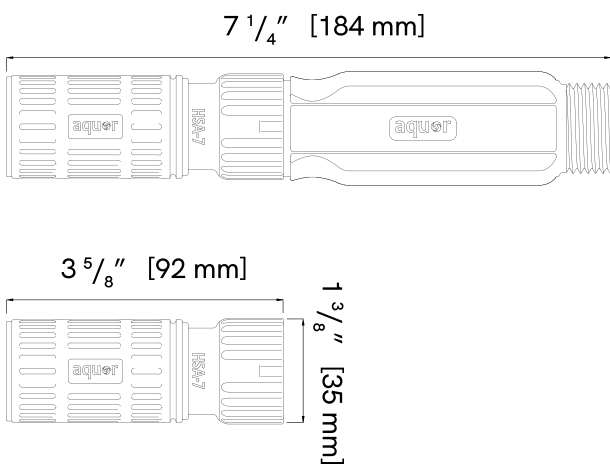


Hose Adapter Quick Connect Kit

HSA-7 -BLK



Hot-swap between hoses, nozzles, sprinklers, and more without returning to the tap. Quickly connect garden hoses together without threading. The shut-off valve stops water flow immediately when you disconnect. You can engage under full pressure. Includes one stainless steel outlet and one hose connector.

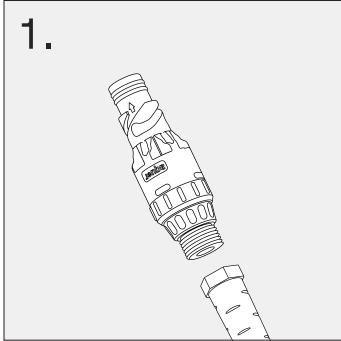
- Connect nozzles, sprinklers, or accessories in seconds, under full water pressure
- Hot-swap accessories without endless trips to the tap
- 100% lead-free stainless steel valve body

In the box	Straight Outlet, CN-S1-B
Color	Aquor Blue or Jet Black
Outlet	3/4" GHT (m)
Operating Temperature	33-140 °F
Operating Water Pressure	25-125 PSI
Flow Rate	6.8 GPM @ 52 PSI
Outlet Material	Stainless Steel
Connector Material	Acetal Resin Polymer
O-Ring Material	Fluorocarbon Rubber
Warranty	10 Years stainless steel, 5 Years polymer
SKU	HSA-7, HSA-7-BLK

How to Use

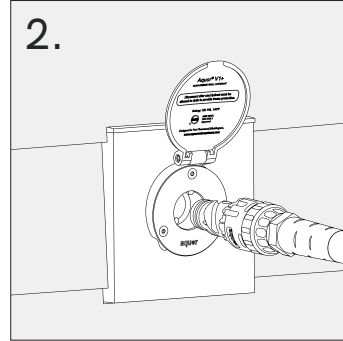
Simply attach the hose connector to any hose, nozzle, sprinkler, or other accessory and insert into the adapter, the connector acts as a quick connect key, providing water security. Enjoy instant water flow and zero-maintenance.

Connecting to your Aquor Hydrant



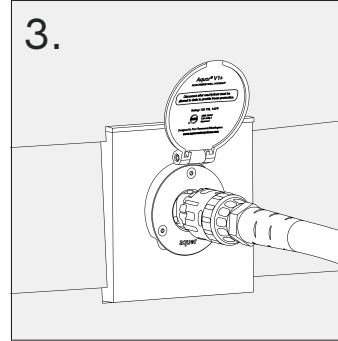
First thread your hose connector onto any hose.

Wide Grip Connector shown for demonstration.



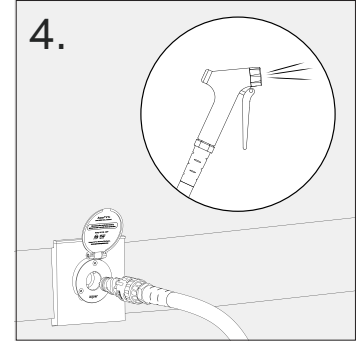
To connect, align the 3 grooves on the connector with the nibs on the hydrant. Gently push in, then twist clockwise.

Wide Grip Connector and House Hydrant V1+ shown for demonstration.



Once you connect, the valve opens and water flow starts instantly.

Wide Grip Connector and House Hydrant V1+ shown for demonstration.



Disconnect and depressurize your hose before storing.

Wide Grip Connector and House Hydrant V1+ shown for demonstration.