

INSTALL GUIDE & SPECIFICATION SHEET

Aquor® Ground Hydrant

IN-GROUND YARD HYDRANT SYSTEM

FLUSH MOUNT | SELF-DRAINING | FREEZE-PROOF





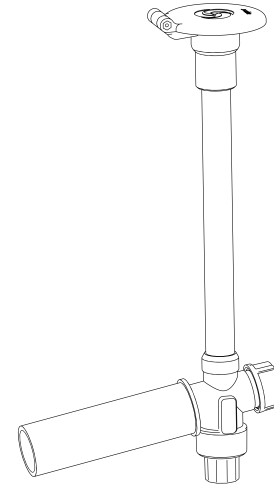
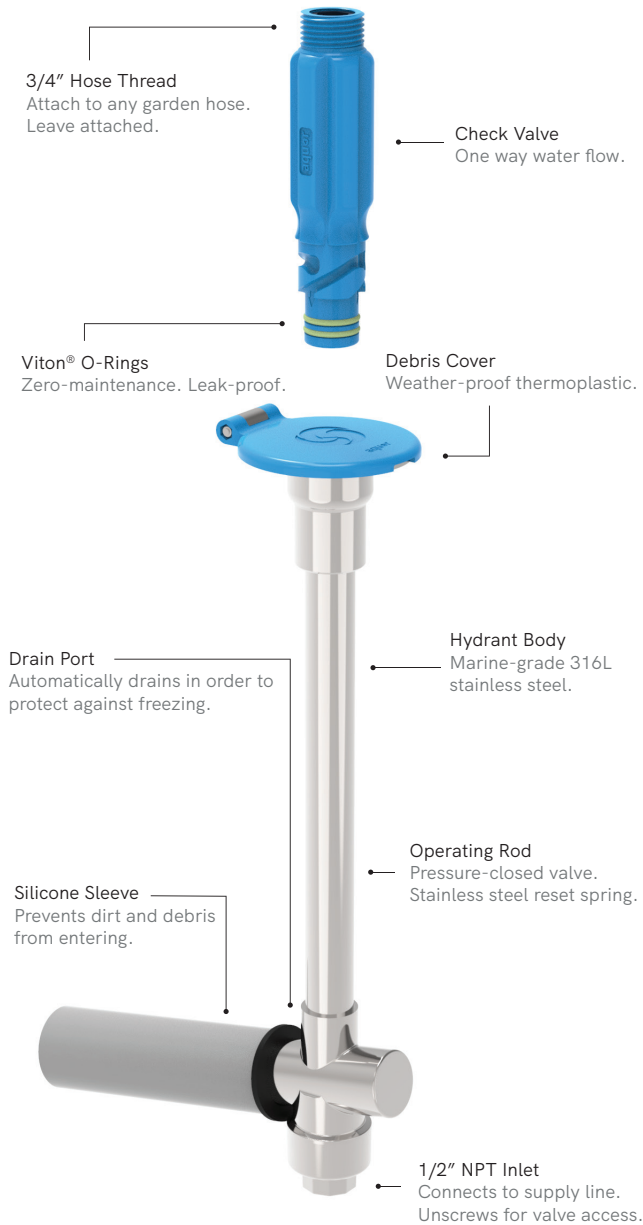
GROUND HYDRANT

The Aquor® Ground Hydrant is a better freeze proof yard hydrant. Easy to install, bury it or install at waist height.

The hydrant will self-drain when disconnecting to protect against freezing and self-cleans so no maintenance is required. Plus you can mow right over it. Available in blue (or gray upon request).

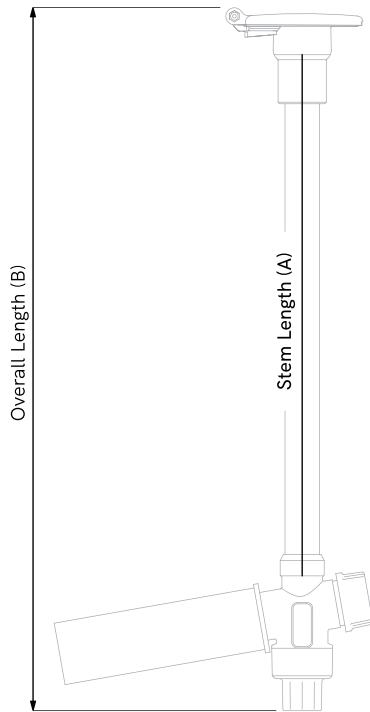
FEATURES & BENEFITS

- Flush-mounted design with twist lock connection system.
- Easy to install at any height, recessed, flush with the ground, or waist level.
- Frost-free, leak-free, and lead-free.
- Instant access under full water pressure.
- Hydrant self-drains, providing complete freeze protection all winter long.
- Made with durable and long-lasting marine-grade 316L stainless steel and Delrin® acetal resin
- Hose connector contains integral check valve for backflow protection.
- Self-cleaning outlet requires no regular maintenance.
- Protects against water theft.



TECHNICAL SPECS

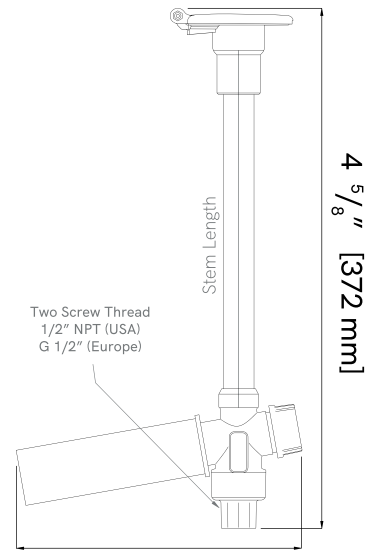
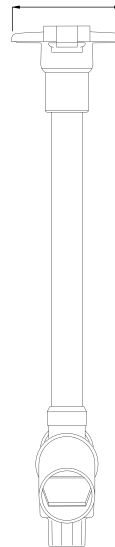
In the Box	Hydrant, Aquor Blue Debris Cover, CN-S1-B Connector, Install Instructions
Backflow Protection	Yes, built-in check valve
Inlet x Outlet	1/2 " NPT (f) x 3/4" GHT (m)
Operating Temperature	33 -140 °F
Operating Water Pressure	25-125 PSI
Flow Rate	6.8 GPM @ 52 PSI
Plumbing Compatibility	All (PEX recommended)
Hydrant Material	316L Stainless Steel
Connector Material	Acetal Resin Polymer
O-Ring Material	Fluorocarbon Rubber
Cover Material	ASA Thermoplastic
Warranty	10 Years stainless steel, 5 Years polymer
SKU	UGH12, UGH18, UGH24, UGH36, UGH48



UGH12
12" Ground Hydrant

STEM LENGTH: 12"
OVERALL LENGTH 14"

3 1/8" [79 mm]



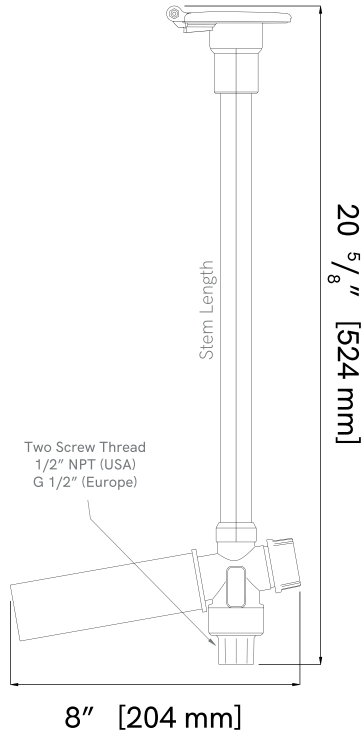
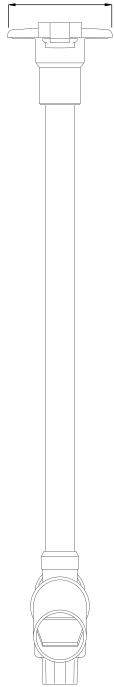
8" [204 mm]

SKU	Stem Length (A)	Overall Length (B)
UGH12	12" Hydrant	14 " [358 mm]
UGH18	18" Hydrant	20 " [508 mm]
UGH24	24" Hydrant	26 " [662 mm]
UGH36	36" Hydrant	38 " [966 mm]
UGH48	48" Hydrant	50 " [1271 mm]

UGH18
18" Ground Hydrant

STEM LENGTH: 18"
OVERALL LENGTH 20"

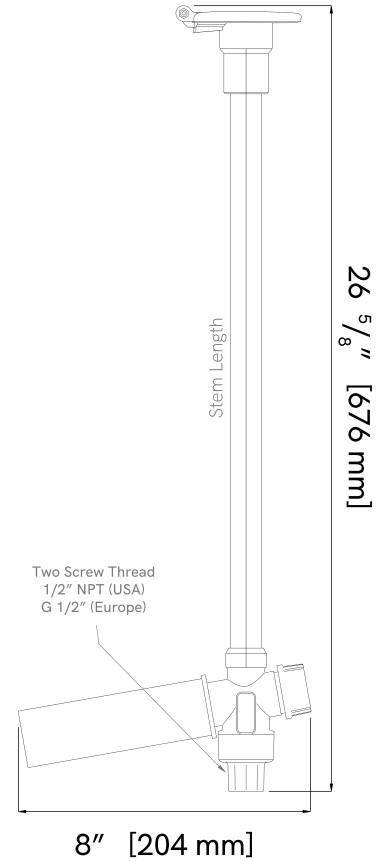
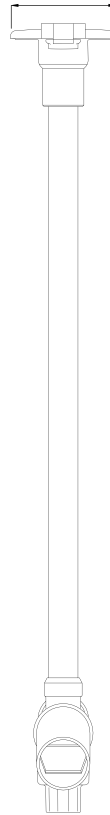
3 1/8" [79 mm]



UGH24
24" Ground Hydrant

STEM LENGTH: 24"
OVERALL LENGTH 26"

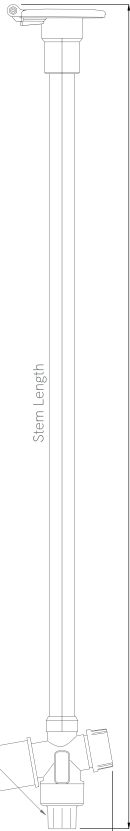
3 1/8" [79 mm]



UGH36
36" Ground Hydrant

STEM LENGTH: 36"
OVERALL LENGTH 38"

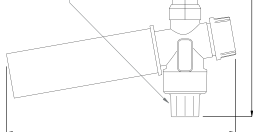
3 1/8" [79 mm]



38 5/8" [980 mm]

Stem Length

Two Screw Thread
1/2" NPT (USA)
G 1/2" (Europe)

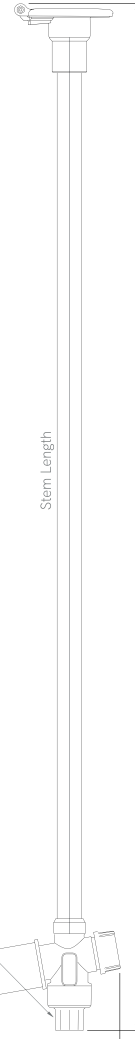


8" [204 mm]

UGH48
48" Ground Hydrant

STEM LENGTH: 48"
OVERALL LENGTH 50"

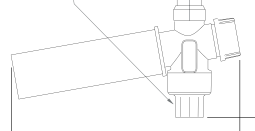
3 1/8" [79 mm]



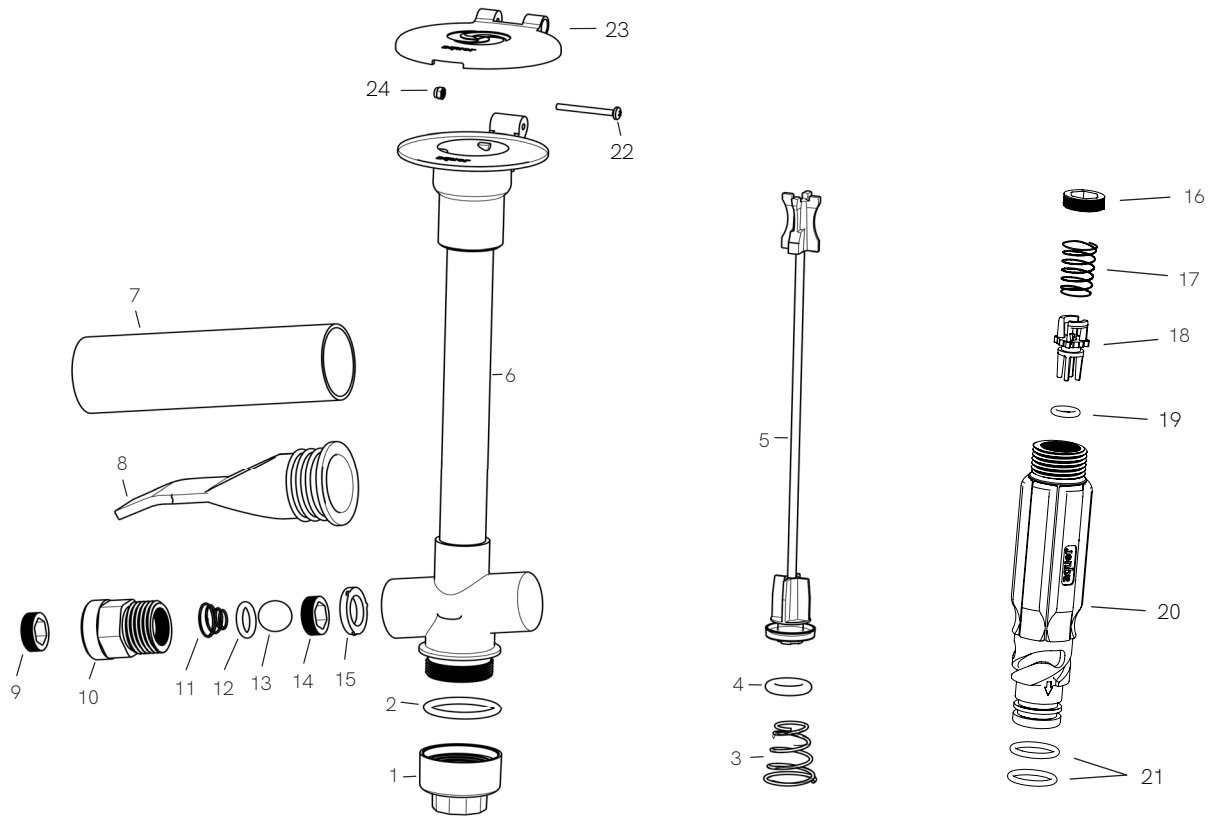
50 5/8" [1285 mm]

Stem Length

Two Screw Thread
1/2" NPT (USA)
G 1/2" (Europe)



8" [204 mm]



HYDRANT

- | | |
|-------------------------------|--------------------------------|
| 1. Rear Valve Housing (inlet) | 9. Check Valve Retainer |
| 2. Hydrant Body O-Ring | 10. Check Valve Housing |
| 3. Valve Spring | 11. Check Valve Release Spring |
| 4. Inner Valve O-Ring | 12. Check Valve O-Ring |
| 5. Operating Rod | 13. Check Valve |
| 6. Hydrant Body | 14. Check Valve Screen |
| 7. PVC Protective Sleeve | 15. Check Valve Housing Washer |
| 8. Silicone Flapper Valve | |

HOSE CONNECTOR

- | |
|---------------------------|
| 16. Check Valve Retainer |
| 17. Check Valve Spring |
| 18. Connector Check Valve |
| 19. Check Valve O-Ring |
| 20. Connector Body |
| 21. Connector O-Rings |

DEBRIS COVER

- | |
|-----------------------|
| 22. Debris Cover Bolt |
| 23. Debris Cover |
| 24. Debris Cover Nut |

Need Parts? Stem Replacement Kits and Hose Connector O-Ring Kits are available.

For help, email us at contact@aquorwatersystems.com or call us at 1-800-458-1749.

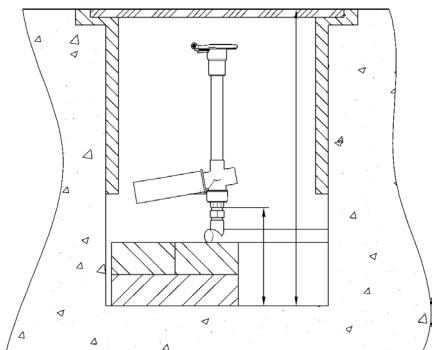
INSTALLATION

Before installation, decide on a location for the hydrant and be sure to decide how deep you want the hydrant.

1. DIG A HOLE

Dig a hole for the hydrant approximately 2 FT in diameter and 1 FT deeper than the bury depth. For additional protection and/or concealment, you can install an in-ground valve box or pull box to surround the hydrant.

Note: The valve at the bottom of the hydrant must be buried below the frost line. This ensures proper drainage so the hydrant does not freeze.

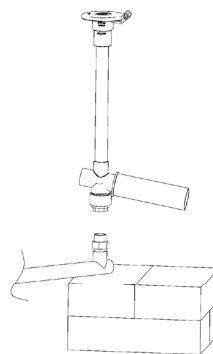


2. FLUSH THE PIPES

Flush the piping in your water supply before connecting the hydrant to clear any debris that may have collected during the installation and assembly. Debris in the water supply can cause a jam in the hydrant's closing mechanism.

3. CONNECT THE HYDRANT

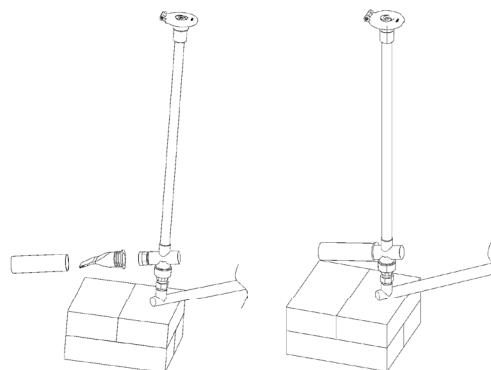
Connect the hydrant to the water supply, but do not bury the hydrant yet. Place the hydrant on top of a cinder block or other heavy, flat object for support to prevent damage to the supply line and the hydrant.



Note: Make sure to connect a garden hose to the Aquor® hose connector BEFORE connecting the hydrant. Water will start flowing instantly.

4. TURN ON THE WATER

Turn on the water supply and test the hydrant to ensure it is operating correctly. Attach the included Aquor® hose connector to a garden hose, then plug into the hydrant.

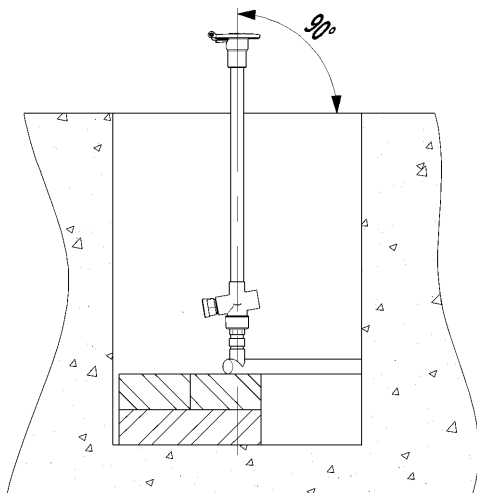


5. CHECK THE VALVE

Check to make sure the hydrant's drainage valve is clear of obstruction. The silicone flapper valve is designed to drain excess water while preventing bugs and debris from entering the valve. The PVC sleeve protects the silicone flapper valve from damage.

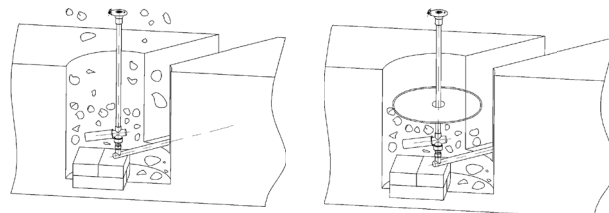
Ensure the hydrant drains properly before burying.

Ensure the hydrant is installed level, perpendicular to the ground surface.



6. FILL THE HOLE

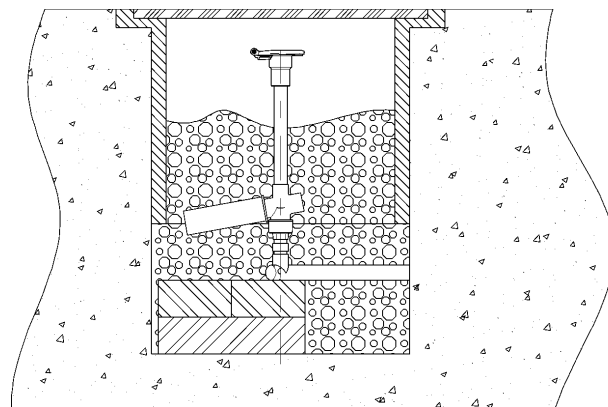
Fill the hole around and below the hydrant with medium-size gravel or drain rock. This provides a drain field for the hydrant. Without a proper drain field, the hydrant may not empty itself, and will be susceptible to freezing.



Optional: Layer a suitable plastic sheeting or landscaping fabric halfway through filling. This can help prevent soil or fine sand from settling and filling the drain field.

7. TEST THE HYDRANT

Test hydrant operation again to ensure everything is installed properly and functioning correctly.

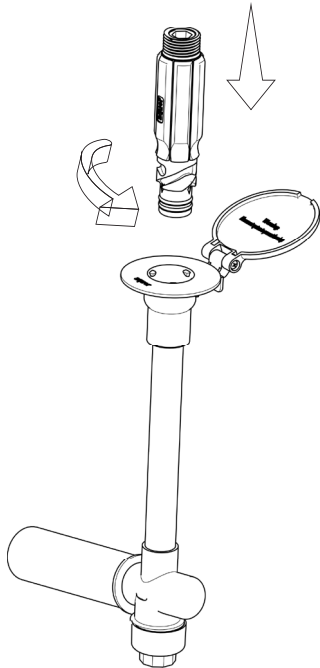


OPERATION

Firmly attach the Aquor® connector to a garden hose, using teflon tape if needed.

Connect: To connect to the hydrant, line up the 3 grooves on the connector then simultaneously push and twist clockwise into the outlet. Position your wrist as if you are about to wring out a towel, and complete the action in one smooth motion. Water flow will start instantly.

Disconnect: Perform the reverse motion to disconnect. Water will shut off instantly, and self-drain through the drain port.



WARRANTY

We stand behind every product we sell, and support our customers even further. If you ever have an issue, contact us and we will make it right.

Aquor offers a 10 year warranty on all stainless steel components, and 5 years on all polymer components. For more information, visit our website at www.aquorwatersystems.com.

CONTACT US

For any questions, please get in touch with our customer service team at contact@aquorwatersystems.com or call us at 1-800-458-1749.



Aquor Water Systems Inc.
www.aquorwatersystems.com
240 Airport Rd, Port Townsend, WA 98368
sales@aquorwatersystems.com
P: 1-800-458-1749