

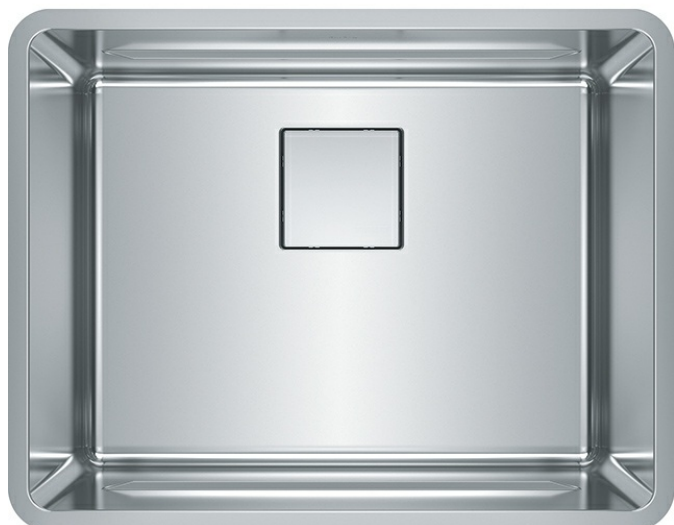
Pescara PTX110-22 Stainless Steel Kitchen Sink

Pescara sinks are equipped with a level of functionality and performance that maximizes usability for the home chef or kitchen connoisseur. Crafted from 18-gauge stainless steel with smooth corners, this sink is low maintenance and easier to clean.

FEATURES

- **Integrated Ledge System:** Shelf grid sits conveniently on the integrated ledge system, creating an elevated workspace. Perfect for expanding your workspace when you prep, rinse, and clean.
- **Concealed Drain:** The removable drain cover conceals the drain for a seamless bowl surface while providing a flat bottom that helps prevent glassware from tipping over.
- **Commercial Grade Stainless Steel:** Made of 18 gauge T304 stainless steel, highly resilient to corrosion and stains, and extremely durable to handle the everyday tasks in the busiest of kitchens.
- **Undermount Installation:** Fitted underneath the counter, it gives an edgeless finish that is easy to clean.

Product Picture



Technical Drawing

Product Dimensions

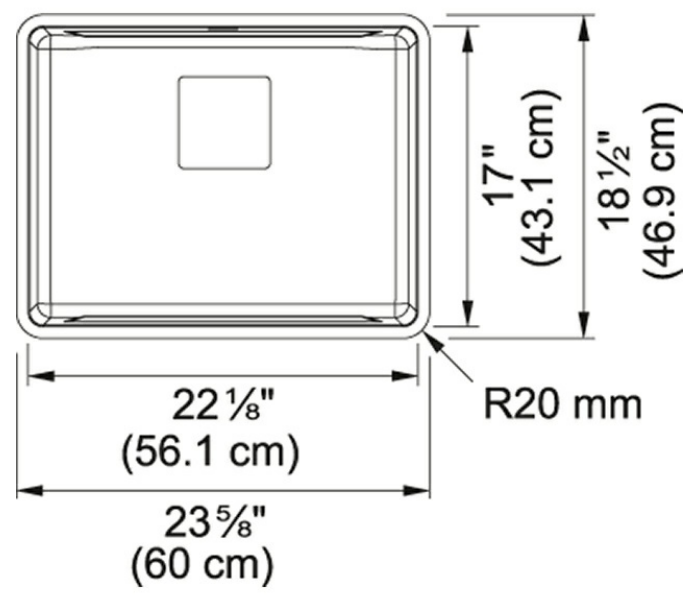
Length overall	23 5/8"
Width overall	18 1/2"
Length of large bowl	22 1/8"
Width of large bowl	17"
Depth of large bowl	9 1/2"
Minimum Cabinet Size	27"

General Information

Number of Bowls	1
Faucet Hole	0
Installation Clips	Yes
Cut-Out Template	Yes
Integral Ledge System	Yes

Article Numbers

FUN#	122.0491.564
------	--------------



US Part Number

PTX110-22