

Peak PKX11025 Stainless Steel Kitchen Sink

Aesthetically pleasing and remarkably functional, the Peak sink collection brings unparalleled style and utility to any kitchen.

FEATURES

- **Integrated Ledge:** The integrated ledge enhances your workspace by allowing you to work directly over the sink. Custom-fit accessories streamline the workflow.
- **Multi-Level Workspace:** The bottom sink grid raises to sit on the integrated ledge, creating a higher level workspace to expand your prep, clean and rinse area.
- **Removable Drain Cover:** The removable square drain cover conceals the drain for a seamless bowl surface, while providing a flat bottom surface to allow for more usable workspace. Square drain cover included.
- **Undermount Installation:** Fitted underneath the counter, it gives an edgeless finish that is easy to clean.

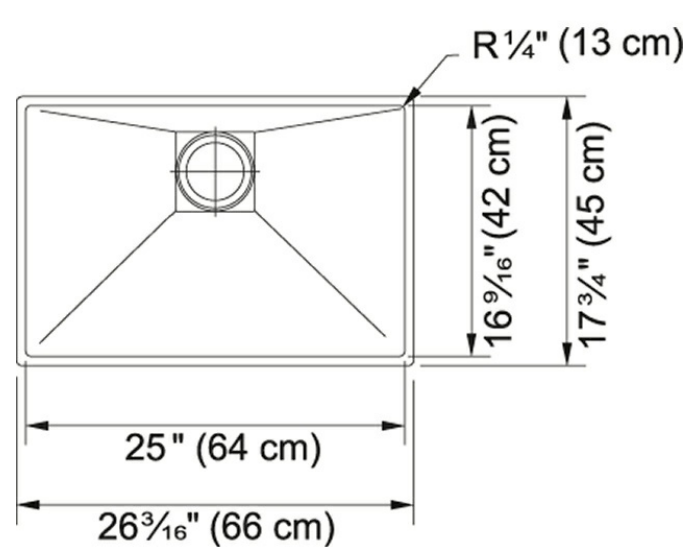
Product Picture



Product Dimensions

Length overall	26 3/16"
Width overall	17 3/4"
Length of large bowl	25"
Width of large bowl	16 1/2"
Depth of large bowl	9 5/8"
Minimum Cabinet Size	30"

Technical Drawing



General Information

Type of Material	16 Gauge Stainless Steel
Number of Bowls	1
Installation Clips	Yes
Cut-Out Template	Yes
Integral Ledge System	Yes

Article Numbers

FUN#	122.0192.590
US Part Number	PKX11025

