

Alfred™

DB1, DB1-C Installation guide

SCAN FOR **BILT**: 3D INSTRUCTIONS



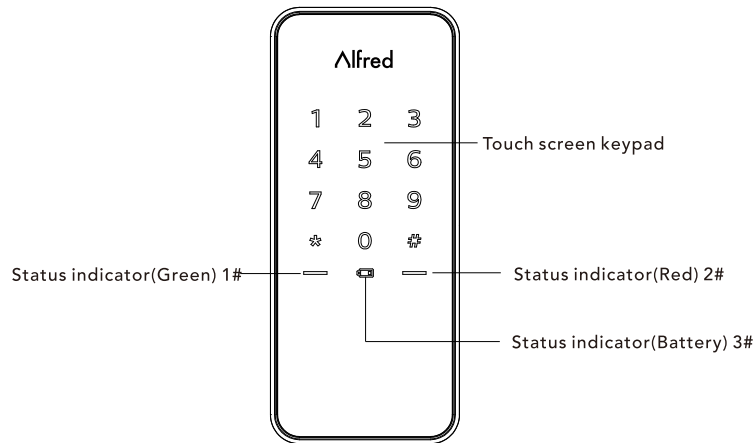
POWERED BY **BILT** INTELLIGENT INSTRUCTIONS*

Alfred International Inc. reserves all rights for the final interpretation of the following instructions.

⚠ All design and specifications are subject to change without notice

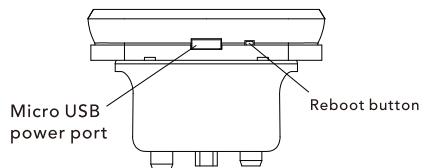
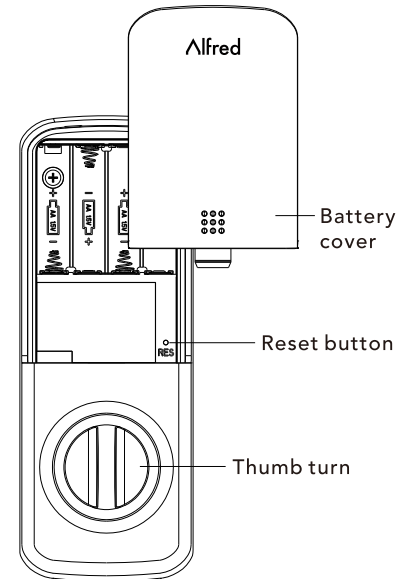
Specifications

Outside escutcheon



- Status Indicators
- 1#. Unlocked, or setting succeed.
 - 2#. Locked, or setting failed.
 - 3#. Low battery Warning

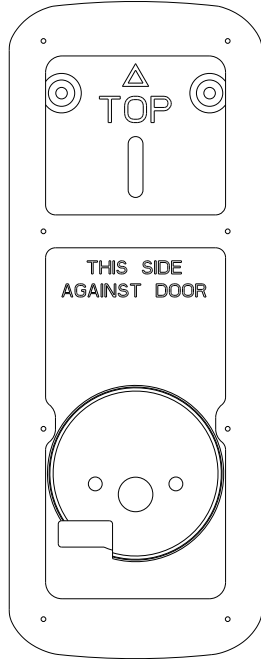
Inside escutcheon



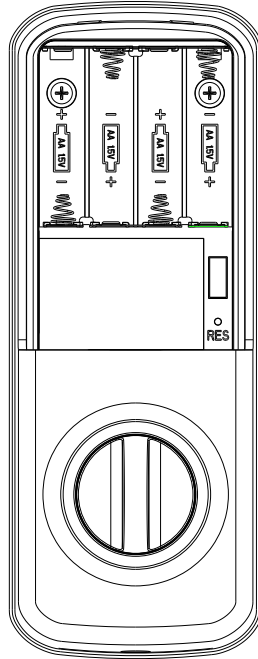
Components



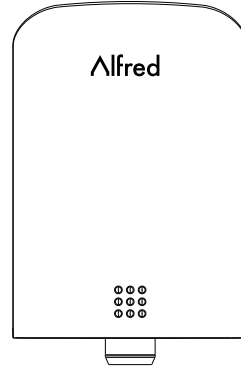
Outside escutcheon



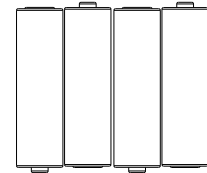
Mounting plate



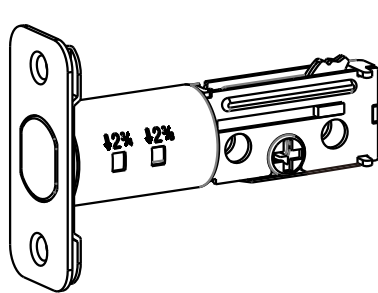
Inside escutcheon



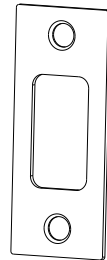
Battery cover



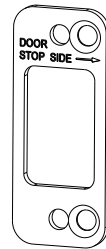
X4
AA alkaline battery




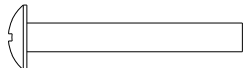





Latch bolt



Strike plate



Reinforcement Plate

	x4 KA4*40
	x3 #8 32*30
	x2 BM4*6
	x1 KM4*6
	x2 KA4*20
	x1 Rotation shaft with key tailpiece
	x1 Optional 3rd Post May come pre-installed on Lock, can be removed with pliers

Screw pack

Preparing for Installation

Tools Needed

Lock Installation

#2 Philips screwdriver

Door prep (Optional Tools, only required if installing lock on new door without existing Lock Prep))

1. 2-1/8" 53mm hole saw
2. 1" 26mm boring bit
3. 7/64" 2.5mm drill bit
4. 3/8" 10mm drill bit
5. Chisel&Hammer

PREPARE LOCK FOR INSTALLATION

Unpack the Lock

A. Inside escutcheon

Confirm door handing direction.



There is a switch on back side of the Inside escutcheon. Position of the switch should be towards the door frame (see picture at right) when installed.

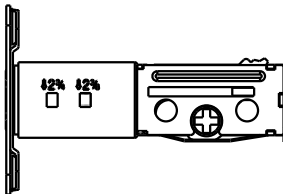
B. Latch Bolt

Confirm Backset measurement

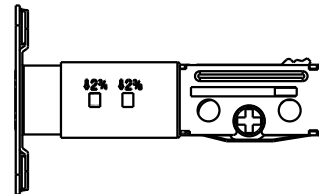
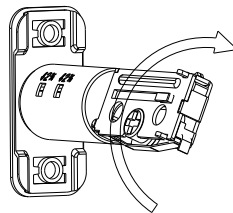
Note: Bolt ships with backset in 2-3/8" position. If required, turn the bolt case and pull to extend to 2-3/4" backset position.(see pictures below)



The bolt must be in retracted(Unlocked) position when you are changing backset.



2³/₈



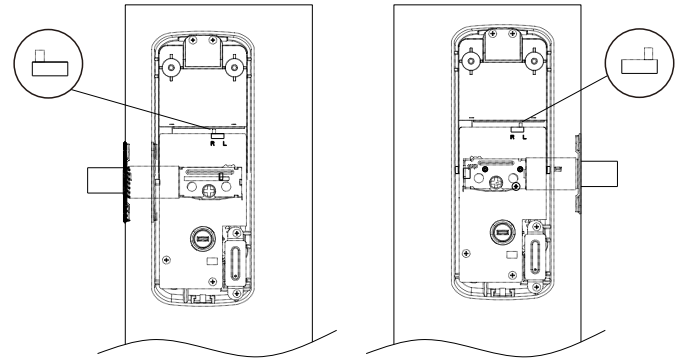
2³/₄

C. Outside Escutcheon

Remains assembled.

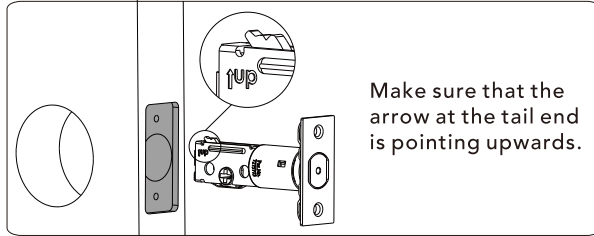
IMPORTANT

The handing switch needs to be put in the direction the latch bolt is sliding when looking at the inside of your door.

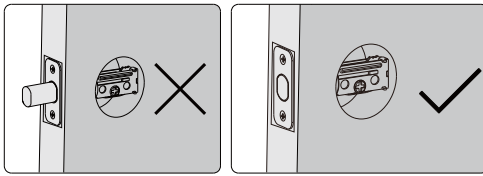


Installation

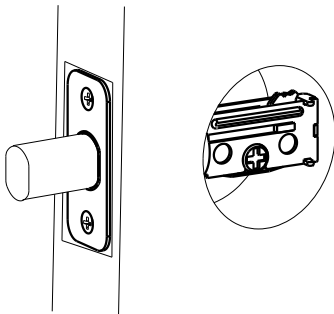
1. Install Latch Bolt in door



NOTE: The bolt must be in retracted (Unlocked) position when installing the lockset.



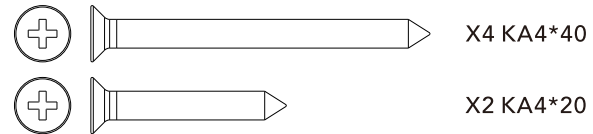
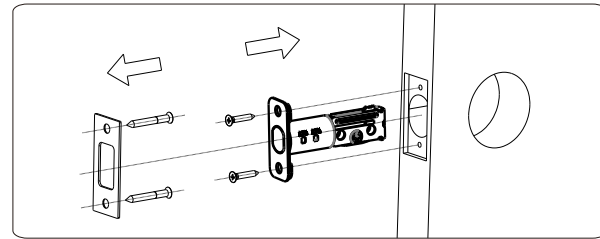
3. Check to make sure bolt operates smoothly before moving forward. Use Screwdriver to extend and retract Bolt and check for smooth operation.



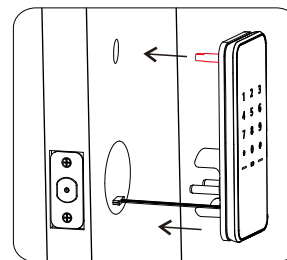
NOTE: Check to make sure bolt fully extends

2. Install strike on the door frame.

NOTE: Make sure to allow for the bolt to be centered in the strike.

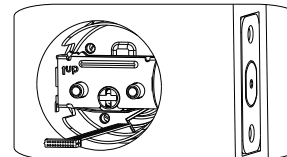


4. Hold the outside escutcheon with Keypad, flush to your door and align tailpiece and cable with door hole prep. Pass Cable through door UNDER latch bolt.



The 3rd Top Post is OPTIONAL. The Top Post is used for additional security, or when a door is weak or warped. The Top Post can be easily removed by unscrewing with a pair of pliers and discarded.

As you position the outside escutcheon, route the cable through 2-1/8" diameter hole.



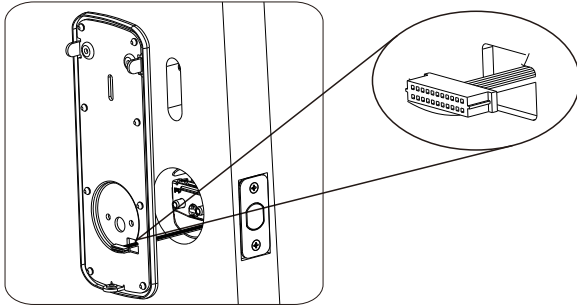
NOTE: Cable must go through door hole under the bolt.



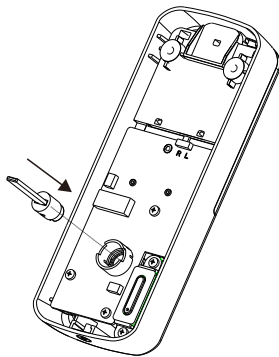
NOTE: Bolt must be in retracted (unlocked) position.

Installation

5. Position the inside mounting plate by first routing the cable and connector through the mounting plate's cable hole.



7. Place the rotation shaft key tailpiece into the hole on the inside escutcheon plate. The tailpiece should be in the horizontal position.



NOTE: Tail piece must be in the horizontal position when properly installed.

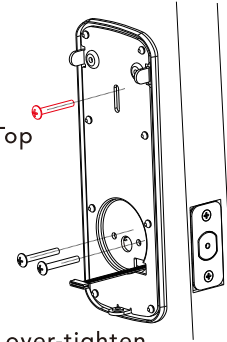
6. Secure both assemblies using 3 #8-32*30 screws, making sure that outside escutcheon is vertically aligned. Tighten securely with a #2 Philips screwdriver.



#8-32*30

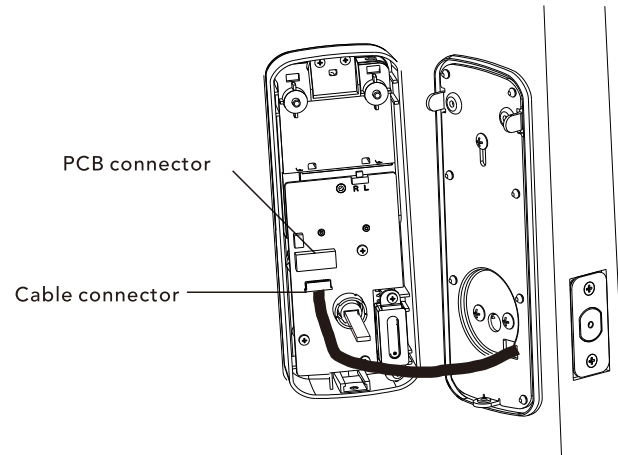


NOTE: 3rd Post on Top is OPTIONAL.



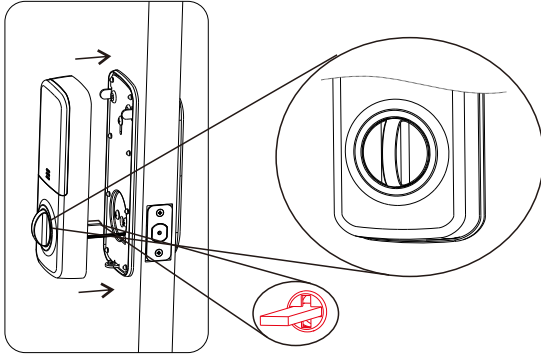
NOTE: Do not over-tighten.

8. Attach cable assembly to the inside escutcheon PCB by lining up notches on top of cable connector to slots on PCB connector. Press connector in firmly using thumbs until completely seated.



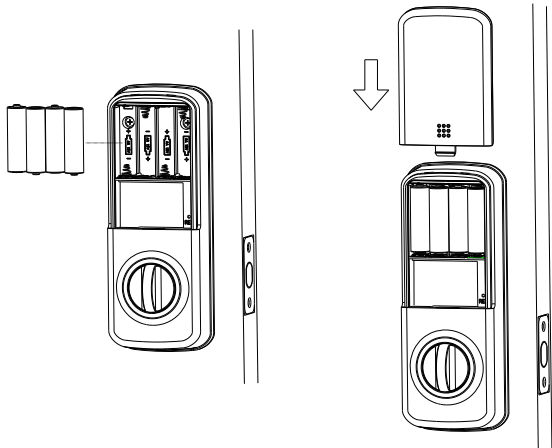
Installation

9. Install inside escutcheon on inside mounting plate.

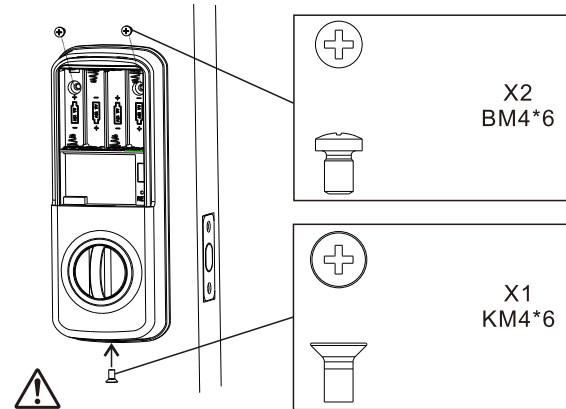


NOTE: The horizontal orientation of the tailpiece as you insert the inside escutcheon (thumb turn should be vertical)

11. Insert four AA alkaline batteries. Front Keypad will light up to confirm proper installation. Then install battery cover plate.



10. Secure using screws through the inside escutcheon onto the mounting plate.



NOTE: Test operation using thumbturn before installing batteries to make sure latch bolt extends smoothly. If latch bolt does not extend, please check that the tail piece was inserted correctly.

Congratulations, you have installed the Alfred DB1 Touch Screen Smart Deadbolt. Please now download the Alfred Home App from either Apple APP store or Google Play Store to set up your Master PIN Code for the lock or refer to Programming Instructions booklet provided.

Download the Alfred Home App



Alfred Home



For support, please reach out to: support@alfredinc.com
You can also reach us at **1-833-4-ALFRED** (253733)

www.alfredinc.com