

### MODELS SEPD Series

#### Ultra Silent, High Performance, Attractive Design Grille Description

Ventilating fan should be ceiling or wall mounted and capable of exhausting air quietly and efficiently. The SEP series is HVI and ENERGY STAR certified. It comes with a capacitor start motor which is known for its high efficiency and long lasting reliability. It holds an ETL evaluation and conforms to UL and cUL safety standards. This fan has a unique plug and play concept that allows you to add accessories such as motion sensor, humidistat, light, or even speed/controller without changing the fan.

#### Housing

Made of rugged 26 GA galvanized steel  
Detachable or 6 inch polymeric resin collar which includes a light weight built in back draft damper.  
Double hanger bar mounting brackets that are adjustable up to 24 inch span allows for ideal positionin

#### Motor/Blower

Plug in permanently lubricated motor- Engineered for continuous operation.  
The motor is energy efficient and surpasses the minimum ENERGY STAR requirements for continuous duty operation.  
Power rating should be 120 volts and 60 Hz  
Fan shall be ETL and cETL listed for tub/shower enclosure when used with a GFCI branch circuit.  
Motor comes with a built in overload disconnect for safety and longer motor life.  
Our Premium series operates at lower RPM's to give you quieter operation.

#### Grille

The Premium grille is low profile that has elegance and still able to maintain its simplicity.  
Made of a rugged polymeric resin that's known for its long life durability.  
Comes with torsion spring clips that helps mount grille evenly.

#### Typical specification

Ceiling ventilator shall have corrosion resistance galvanized steel housing with 4 point mounting capability.  
It shall be ducted to a roof vent or wall cap using 6 inch round pipe.  
Blower assembly shall be removable, have a centrifugal type blower wheel and a permanently lubricated motor designed for continuous operation.  
Air and sound delivery shall meet the HVI certified ratings as per the fan curves attached.  
STERLING ventilators come with permanent split capacitor motor which improves efficiency this is why it has qualified to carry the ENERGY STAR label.



**Optional**  
Humidistat  
Motion Sensor  
Speed controller  
Metal Grille  
Light

Reference	QTY.	Remarks	Project:
			Location:
			Architect:
			Engineer:
			Contractor:
			Submitted by:
			Date:

#### CERTIFICATIONS



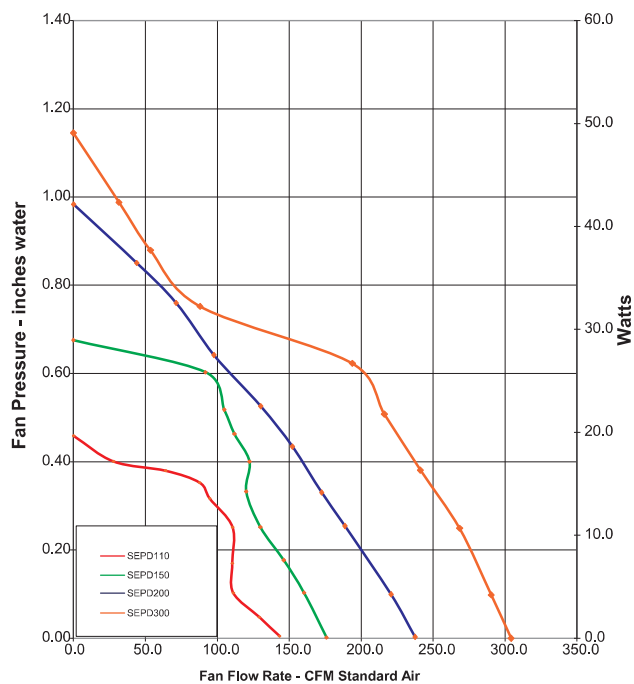
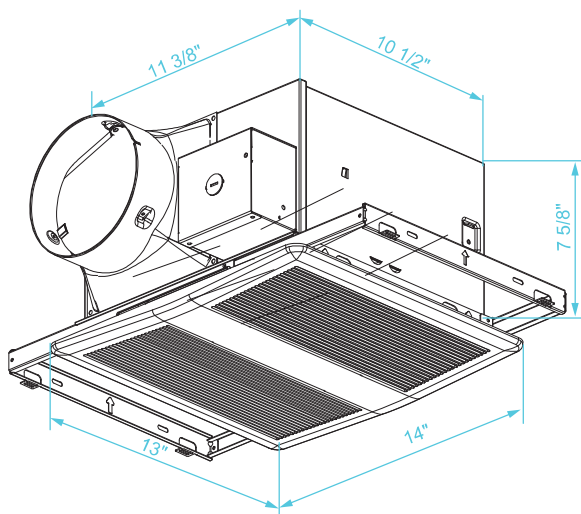
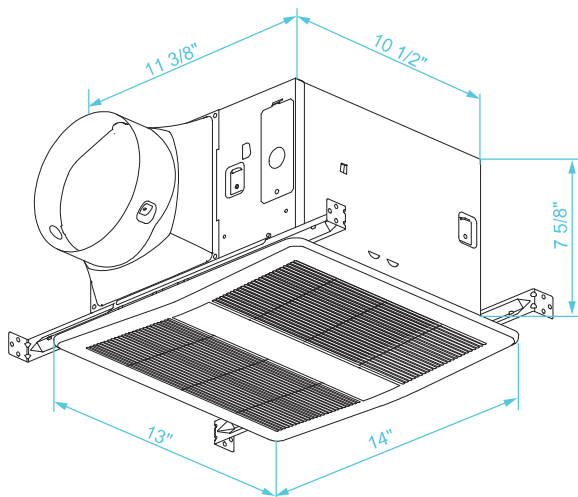
# STERLING FANS

## NEXT GENERATION Ultimate fan solutions

## SELECT SERIES

Specification Data

Model Number	SEPD110		SEPD150		SEPD300		SEPD200	
Static Pressure in inches w.g.	0.1	0.25	0.1	0.25	0.1	0.25	0.1	0.25
Air Volume (CFM)	110	110	150	130	290	268	200	188
Noise (sones)	0.4	1.2	0.9	1.4	4.0	4.0	2.0	2.0
Fan Watts	7W		12W		52W		24W	
Duct Diameter	6"							
Power Rating (V/Hz)	120/60							



### CERTIFICATIONS

