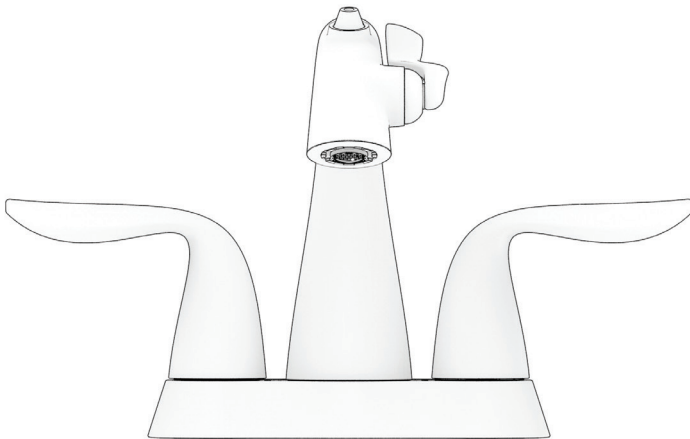
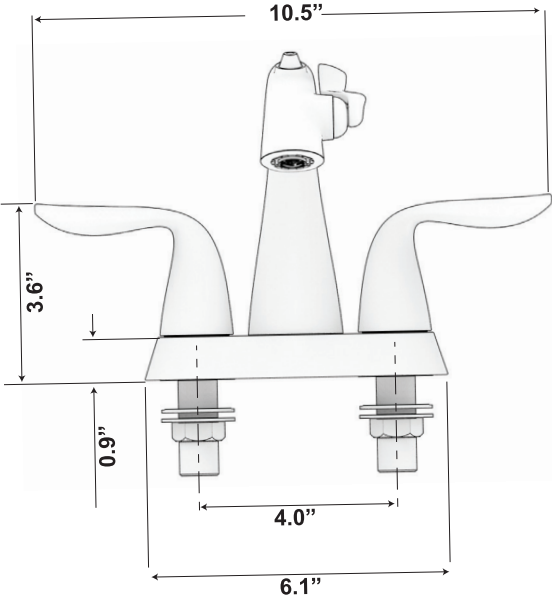
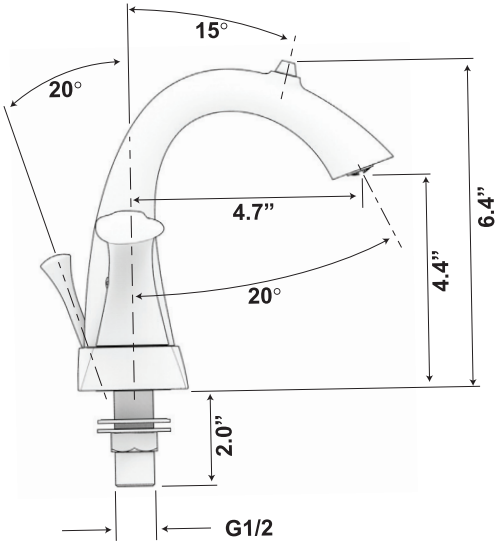


nasoni®



Dimensions Da Vinci Fountain Faucet





Thank you for purchasing a Nasoni Fountain Faucet

Congratulations, you have made a great choice on the newest addition to your bathroom! Welcome to the Nasoni family. Nasoni Fountain Faucets are a revolutionary, water-saving, patented reinvention of the bathroom faucet that bring a myriad of advantages over traditional bathroom faucets by the elegant combination of a water fountain and bathroom faucet.

We would like to take this opportunity to thank you for your purchase and for picking us. It is our sincere hope that you are completely satisfied with your experience. We welcome any questions or comments you may have and will be glad to assist you in the future.

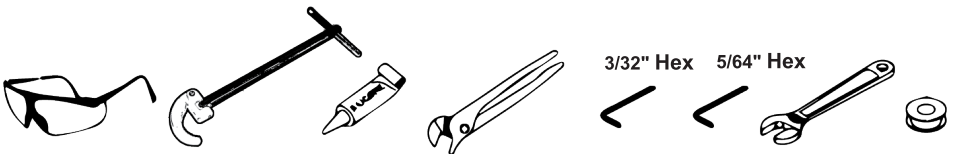
For more information about Nasoni products, please visit our website at: www.nasoni.com

Did you forget to get a Nasoni water filter? You can order one or sign up for our VIP Filter subscription program here: www.nasoni.com/pages/VIP

Please register your new Nasoni faucet at the following web address in order to activate the warranty and receive the full benefit of customer support: www.nasoni.com/pages/registration

All the best,

Nasoni Customer Service



For easy installation of your NASONI fountain faucet, you will need to:

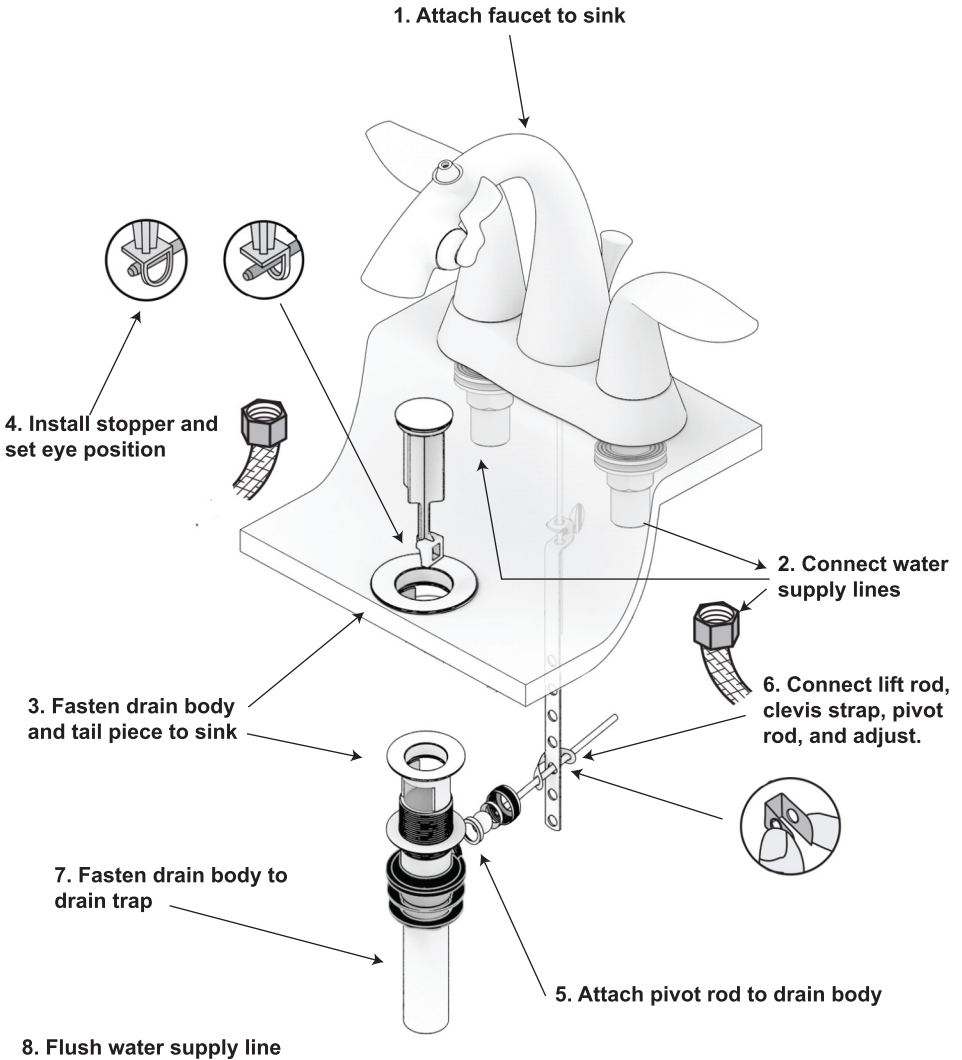
- READ ALL the instructions completely before beginning.
- READ ALL warnings, care and maintenance information.
- Purchase the correct water supply lines.

Note: Nasoni, LLC recommends using a professional plumber for all installation and repair.

Patented in the US and China, additional patents pending. www.nasoni.com/pages/patents

TWO HANDLE LAVATORY - CENTERSET FOUNTAIN FAUCET

Models DA VINCI N11-CEN-1-BN / GB / PC Series



INSTALLATION INSTRUCTIONS

Before Beginning Installation*

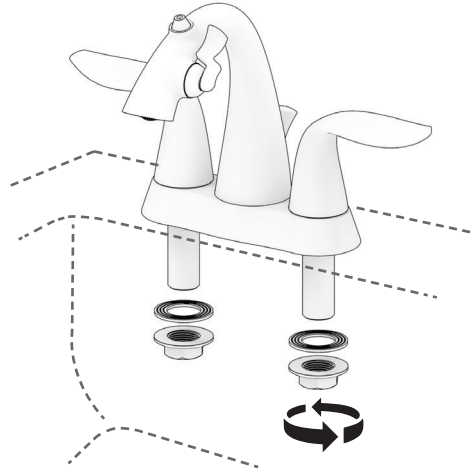
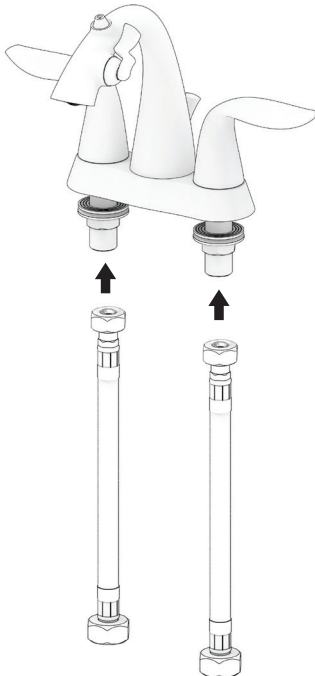
Flush plumbing lines to clear any debris
Shut off both supply lines after flushing.

*Note: Nasoni, LLC recommends using a professional plumber for all installation and repair.

1 Step 1: Install Faucet

Position faucet and gasket on sink. Hand tighten nuts.

Option: If sink is uneven, use silicone under the gasket/faucet.



2 Step 2: Connect Supply Lines

Attached supply lines (not included).

Do not overtighten.

3 Step 3: Fasten drain body to sink

Remove stopper, unscrew flange and remove flat rubber washer from end of drain body as shipped. Apply silicone caulking around bottom of flange. **NOTE:** Do not use “Plumber’s Putty” or any oil based sealants! Use of anything other than silicone can damage the finish.

Move friction washer, beveled washer and flange nut down away from end of drain body.

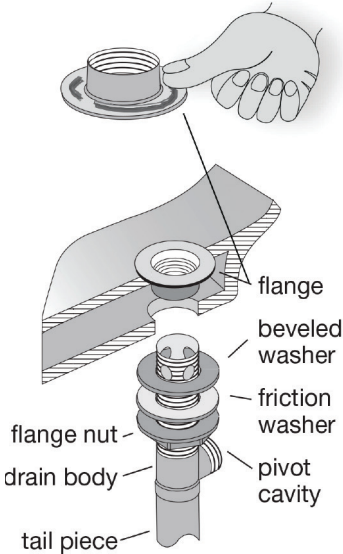
Place flange into drain opening and from under sink screw drain body into flange at least 2-3 turns until hand tight.

Apply putty or teflon tape flange to tail piece and attach to beveled drain body.

Position drain body so pivot cavity is facing rear of sink and then slide beveled washer and friction washer drain body up against sink.

Tighten flange nut up against friction washer to evenly compress beveled washer while also ensuring flange is centered in drain opening.

Take care not to over tighten flange nut.



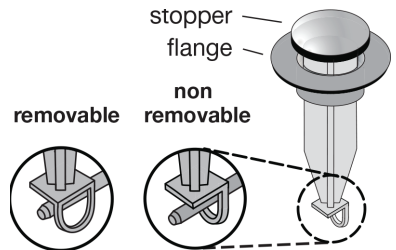
4 Step 4: Install stopper and set eye position

Stopper can be removable or non-removable determined by position of eye hole when inserting pivot rod.

Insert stopper through flange opening and rotate to position eye hole.

Removable stopper:

When installed in removable position, move pivot rod to the up position (lift rod is in the down position when later installed). Eye hole will slide over end of pivot rod.



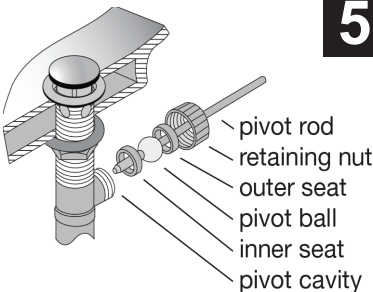
5 Step 5: Attach pivot rod to drain body

Remove retaining nut and outer seat from pivot cavity.

Insert pivot rod into pivot cavity so pivot ball is against inner seat and rod passes under end of stopper according to selected eye hole position.

Insert outer seat over pivot rod with curved end against pivot ball.

Fasten pivot rod to drain body with retaining nut and tighten using your fingers until ball is seated snug and pivot rod can move around freely.



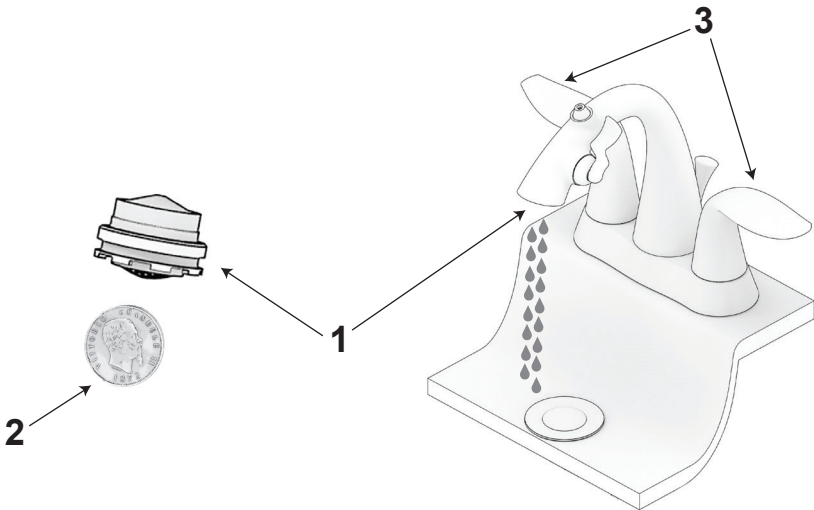
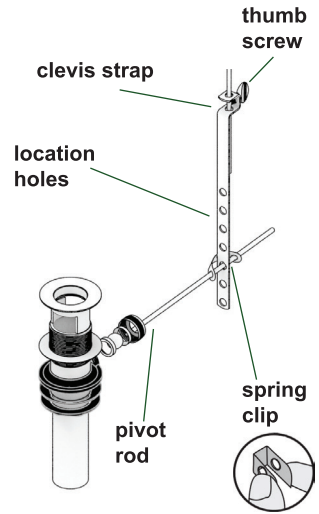
6 Step 6: Connect lift rod and adjust linkage

Insert lift rod through hole on top of water spout.

Fasten end of pivot rod with spring clip through location hole in clevis strap that is best aligned to enable lift rod also fasten to end of clevis strap when in the up position and stopper is in the closed position.

Insert lift rod into end of clevis strap and fasten with thumb screw at location where stopper can be easily opened and closed.

If necessary, select another location hole in clevis strap and re-adjust lift rod where fastened to clevis strap.



7 Step 7: Flush the System and Check for Leaks

Remove aerator (1) using coin (2) and turn faucet handles (3) all the way on. Turn on hot and cold-water supplies (4) and flush water lines for at least one minute. Important: this flushes away any debris that could cause damage to sealing surfaces inside control valves and fountain aerator. Reinstall aerator with coin.

Check all connections for leaks. Re-tighten if necessary, but do not overtighten.

NOTE: Due to sediment in the water, it may be necessary on occasion to remove the aerator and clean with a soft bristle toothbrush.

MAINTENANCE

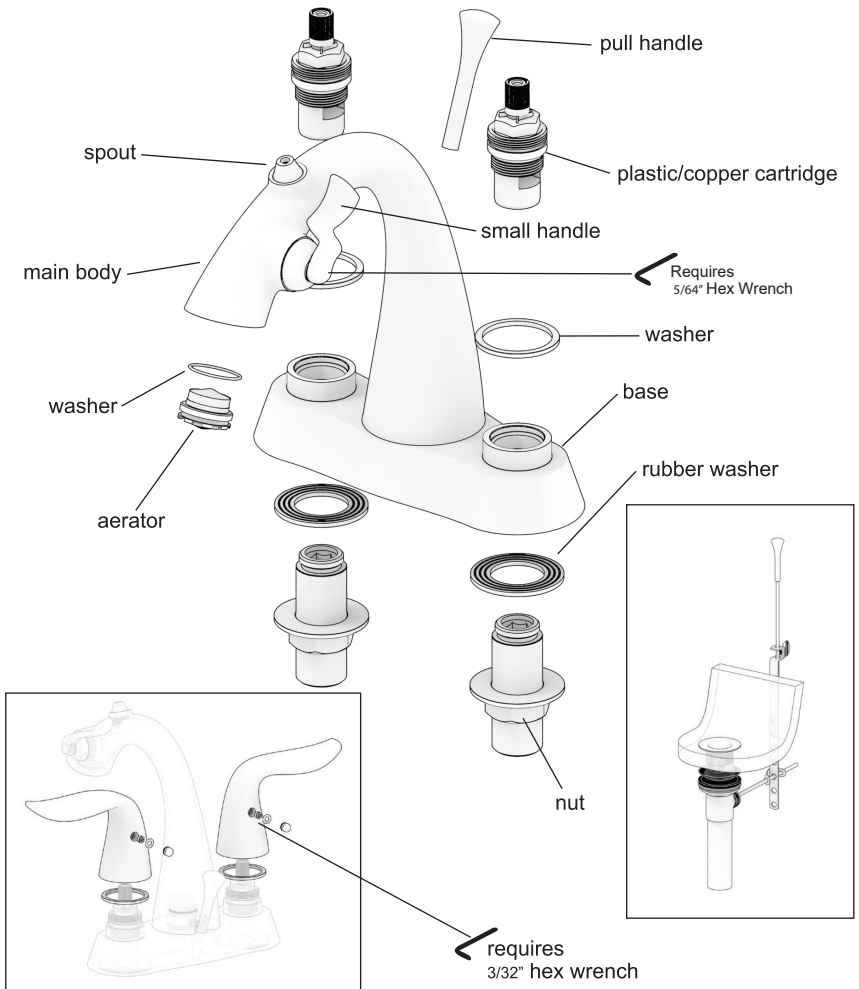
If faucet leaks from spout outlet, shut off water suppliers and replace cartridge (10 or 18). Gently pry off the plug cover in the center of the handle using a thin flat blade screwdriver, taking care to protect all finish surfaces. Using a 3/32" hex wrench, turn hex screw counter-clockwise to loosen. Lift handle from cartridge spindle.

Remove cartridge: Using a wrench or pliers, turn the cartridge counterclockwise and remove.

Insert new cartridge: Insert replacement cartridge and using a wrench or pliers, turn clockwise and tighten to seat. Do not overtighten.

Attach handle: Ensure cartridge spindle is rotated to the OFF position. Attach handle located in the OFF position. Insert hex screw into handle and replace plug cover.

Note: Install cartridge (1) correctly for proper handle rotation.



CLEANING AND CARE

Care should be given to the cleaning of this product. Although its finish is extremely durable, it can be damaged by harsh abrasives or polish. To clean, simply wipe gently with a damp cloth and blot dry with a soft towel.

Use of harsh abrasives or polish will void warranty.

To keep your fountain faucet clean & shining, follow the steps below:

1. Rinse with clean water & wipe gently with a soft cloth
2. Do not clean with soaps, acid, polish, abrasives, or household cleaners
3. Do not use cloth with a coarse surface
4. Unscrew the aerator and clean when necessary

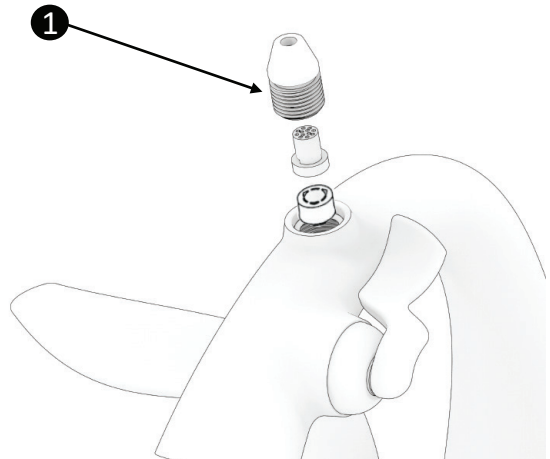


*This installation manual is subject to change without further notice.

TO CLEAN THE FOUNTAIN NOZZLE

If over time due to hard water, calcium buildup may necessitate cleaning the fountain nozzle. To prevent this, NASONI highly recommends a NASONI undercounterfilter solution. Visit <https://nasoni.com/pages/filtered-fountain-water> for details.

Remove the fountain nozzle (1) by rotating it counterclockwise. If unable to turn by hand and pliers must be used, cover the nozzle first with rubber non slip jar opener to prevent scratching.



Need Help?

Contact Nasoni customer service at (800) 577-1612

Email: customerservice@nasoni.com Monday - Friday 7:30 am - 4:00 pm EST

Please check Nasoni website for technical help, the latest product information and warranty policy. www.nasoni.com/pages/service

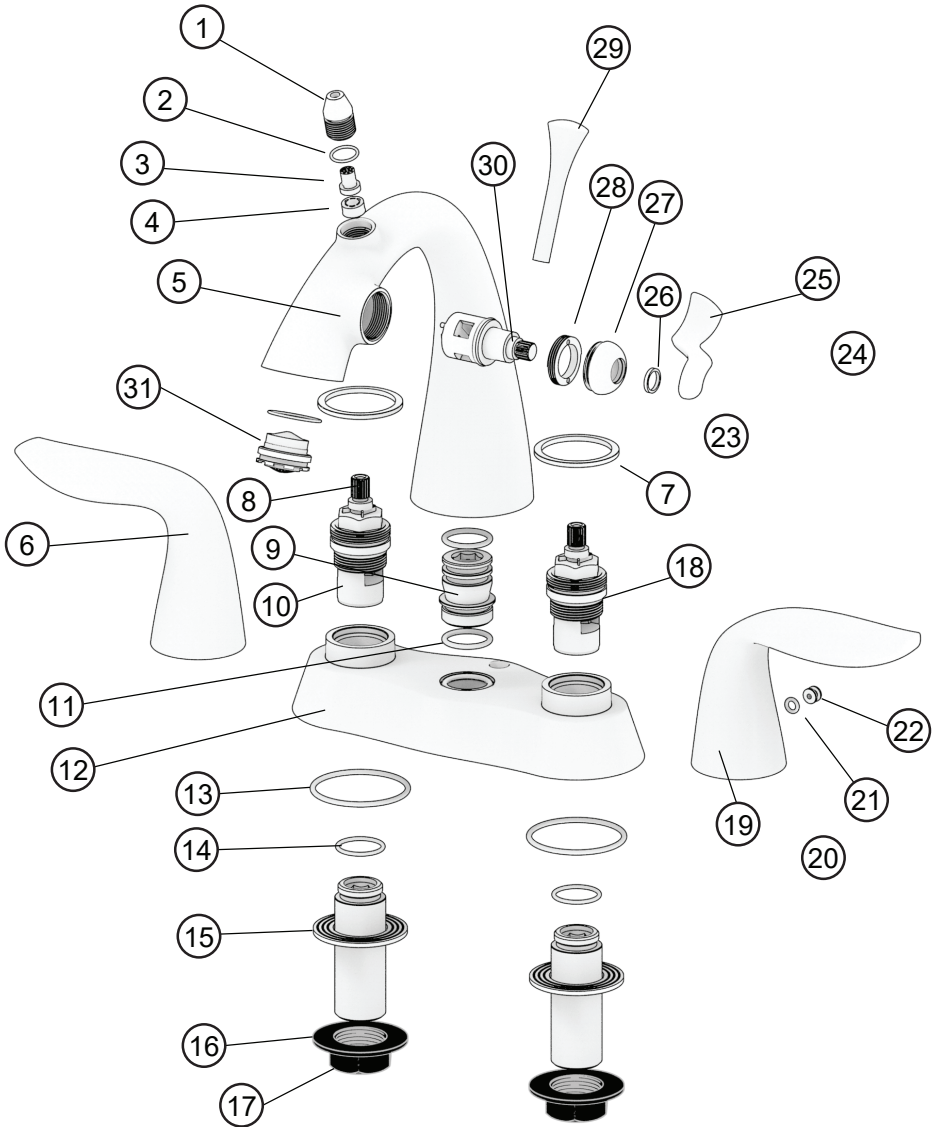
TROUBLESHOOTING

If you have followed the instructions carefully and your fountain faucet still does not work properly, try the following corrective steps:

PROBLEM	CAUSE	SOLUTION
Leakage under handles	Hot or cold cartridge (10 or 18) may be loose	Shut off water supply. Remove cover button (22). Loosen hex screw (20) with 3/32" hex wrench. Remove metal handle (6 or 19). Tighten hot or cold cartridge (10 or 18) with adjustable wrench. *Note: Install cartridge (10 or 18) correctly for proper handle rotation.
Aerator drips or has inconsistent water flow pattern	Aerator (31) may be dirty or not seated properly	Unscrew aerator (31) with coin and clean out debris. If needed, install new aerator.
Water will not shut off completely	Hot or cold cartridge (2 or 10) may need to be adjusted or replaced	Remove plug cover (22). Loosen hexscrew (20) with 3/32" hex wrench. Remove metal handle (6 or 19). Remove hot or cold cartridge (10 or 18) with adjustable wrench. Check for cracks
Drain is Leaking	Washers may be compromised or installed incorrectly	Check washers to make sure they are installed correctly and not cracked. Re-apply silicone caulking around bottom of flange.
Faucet is dirty	Caused by stubborn water spots	Clean with mild soap and warm water as often as possible
Handles work backwards	Valves have been mistakenly swapped	Follow steps to remove left and right handles. Then, remove left and right cartridges (10 and 18) and swap their locations.
Fountain nozzle ifountain effect abnormal	Fountain nozzle is dirty from hard water	Remove fountain nozzle as described herein, clean, and replace.

Note: to prevent internal buildup from hard water, Nasoni recommends installing Nasoni's under counter filter solution for fresh, clean drinking water.

Visit <https://nasoni.com/pages/filtered-fountain-water> for details.



PARTS ASSEMBLY

Ordering replacement parts:

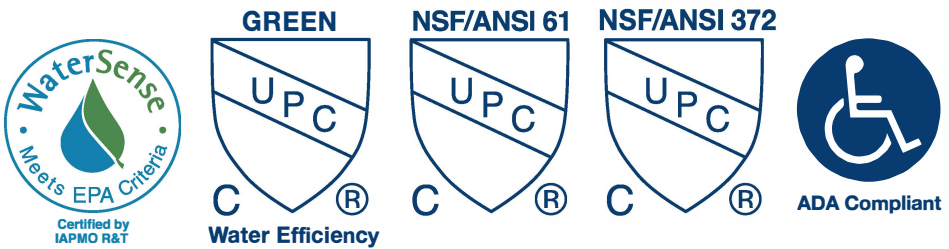
Call Nasoni customer service at (800) 577-1612, M-F 7:30 am - 4:00 pm EST or check our website at www.nasoni.com for a list of Nasoni distributors.

No	Name	Material	Qty
1	Spout	DQB-A	1
2	O-ring Ø9*1.5	EPDM	1
3	Fountain Aerator 02.3350.0	Assembly	1
4	Flow Controller 58.6503.1	Assembly	1
5	Main Body	DQB-A	1
6	Left Handle	Hpb57-3	1
7	Washer	POM	2
8	Gear Bushing	POM	2
9	Joint	DQB-A	1
10	90° Plastic Copper Cartridge C 1/2	Assembly	1
11	O-Ring	EPDM	3
12	Base	DQZ-A	1
13	O-Ring 35 X 2.5	EPDM	2
14	O-Ring 16 X 2	EPDM	2
15	Rubber Washer	NBR	2
16	Nut	Hpb57-3	2
17	Threaded Hose for Installation	DQB -A	2
18	90° Plastic Copper Cartridge G1/2	Assembly	1
19	Right Handle	Hpb57-3	1
20	M5X4 Inner Hex Screw	SUS304	2
21	O-Ring Ø3.2X1.9	NBR	2
22	Handle Plug	Hpb57-3	2
23	M4X8 Hex Screw	SUS302	1
24	M4X4 Wrench	SUS302	1
25	Small Handle	Hpb57-3	1
26	Anti-Abrasion Washer	POM	1
27	Sphere Shield	Hpb57-3	1
28	Nut	Hpb57-3	1
29	Pull Handle	Hpb57-3	1
30	Upper Cartridge	Assembly	1
31	Neoperl Coin Slot Aerator 42.2260.45000	Assembly	1

COMPLIANCE / CODES / STANDARDS APPLICABLE:

To ensure we bring you only the very best quality fountain faucets, we chose IAPMO R&T, North America’s premier plumbing and mechanical product certification agency, as our certification testing partner. As the preferred listing agency of manufacturers and inspectors, the IAPMO R&T brand and its reputation for quality are unparalleled in the industry. IAPMO R&T Marks of Conformity are widely recognized and represent the highest degree of integrity in showing compliance with established codes and standards.

IAPMO R&T has certified all Nasoni premium fountain faucets to meet or exceed all applicable US and Canadian standards, as identified by the certification marks below. Flow rate is 1.2gpm max (4.5L/min).



In addition to the above, IAPMO has also certified Nasoni fountain faucets to the following GREEN certifications:

- ✓ IAPMO Green
- ✓ National Green Building Standard
- ✓ Natural Resources Canada R-2000
- ✓ Green Building Assessment Protocol for Commercial Buildings
- ✓ LEED
- ✓ CALGREEN

IAPMO R&T is accredited by American National Standards Institute (ANSI), Standards Council of Canada (SCC) and entidad mexicana de acreditación, a.c. (ema) along with recognition by Comisión Nacional del Agua (CONAGUA). IAPMO R&T is also accredited by the ANSI-ASQ National Accreditation Board (ANAB) to provide management registration services in accordance with the requirements of ISO 9001.

NASONI LIMITED LIFETIME WARRANTY

CONSUMER WARRANTY:

Nasoni is committed to enriching your bathroom experience by creating luxury products that will provide enduring satisfaction. Every effort has been made to satisfy the highest standards of design and production, to create lasting peace of mind for our customers. We provide the following limited warranties on our products to the original purchaser, installed in a residential application. It is limited to those original purchasers who purchase genuine Nasoni Fountain Faucets from its "AUTHORIZED DEALERS" and is not transferable. Proof of purchase (copy of your original receipt, purchase order or invoice), the date the product was purchased, and installation date are required from the original consumer purchaser and must be made available to Nasoni for all warranty claims, unless the purchaser has registered the product with Nasoni. This warranty applies only to Nasoni fountain faucets installed in the United States of America, Canada and Mexico. Please note that Nasoni will not honor warranty claims from consumers who purchase Nasoni fountain faucets from non-authorized distributors and/or resellers except where prohibited by law. Upon purchase or prior to installation, please carefully inspect your product for any damage or visible defect.

Please note: warranties do not cover normal "wear and tear."

MECHANICAL WARRANTY:

A limited lifetime warranty is provided on all mechanical parts to be free from defects in material and workmanship under normal usage. This limited lifetime warranty does not apply to the replacement of components where damage is caused by normal wear and tear.

CARTRIDGE WARRANTY:

A limited lifetime warranty is provided on all ceramic disc cartridges. All other cartridges (e.g. upper fountain cartridge) are warranted for a period of three (3) years from date of purchase.

EXCLUSIONS:

- Due to the nature of drain usage, there is no finish warranty on any drain product (including pop-up drains, lavatory drains, shower drains, tub drains and kitchen drains)
- The use of any lead-based acidic curing adhesive, mastic or plumber's putty will void the finish warranty.
- Removal of flow limiting restrictors in any product will void the warranty.
- This warranty is void for any damages due to misuse, abuse, neglect, accident, improper installation, improper maintenance, improper care of finishes, hard water or mineral deposits, potassium or salt-based water softener systems, exposure to corrosive materials or use in any manner contrary to Nasoni, LLC installation instructions or intended use.
- Nasoni, LLC shall not be liable for any damage to the faucet resulting from reasonable wear and tear, misuse, abuse, neglect or improper or incorrectly performed installation, maintenance or repair, including failure to follow the applicable care and cleaning instructions.
- Never use cleaners containing abrasive and aggressive chemicals ("SoftScrub", etc.), ammonia, bleach, acids, waxes, alcohol, solvents or other products not recommended for chrome.
- Avoid ALL products designed to remove tarnish or rust, and contain hydrochloric, hydrofluoric, and/or phosphoric acid or caustic agents.

- Avoid Scouring Pads (such as Scotch Brite®). Do not use cleaners or polishes which may typically be used on stainless steel kitchen appliances. This will void the warranty.
- Use of any replacement parts other than genuine Nasoni, LLC parts will void the warranty.
- This warranty does not cover labor charges or associated costs for damages occurring during the removal, transportation, return or installation of products or replacement products.
- Pop-up assemblies and drains are not covered under warranty.

LIMITATION ON DURATION OF IMPLIED WARRANTIES:

TO THE EXTENT PERMITTED BY LAW, ANY IMPLIED WARRANTY, INCLUDING THE IMPLIED WARRANTIES OF MERCHANTABILITY AND OF FITNESS FOR A PARTICULAR PURPOSE, IS LIMITED TO THE STATUTORY PERIOD OR THE DURATION OF THIS WARRANTY, WHICHEVER IS SHORTER. Some states/provinces do not allow limitations on how long an implied warranty lasts, so the above limitation may not apply to you.

LIMITATION OF SPECIAL, INCIDENTAL OR CONSEQUENTIAL DAMAGES:

NASONI, LLC SHALL NOT BE LIABLE FOR ANY SPECIAL, INCIDENTAL OR CONSEQUENTIAL DAMAGES (INCLUDING LABOR CHARGES TO REPAIR, REPLACE, INSTALL OR REMOVE THIS PRODUCT), WHETHER ARISING OUT OF BREACH OF ANY EXPRESS OR IMPLIED WARRANTY, BREACH OF CONTRACT, TORT, OR OTHERWISE. NASONI, LLC SHALL NOT BE LIABLE FOR ANY DAMAGE TO THE FAUCET RESULTING FROM REASONABLE WEAR AND TEAR, MISUSE, ABUSE, NEGLIGENCE OR IMPROPER OR INCORRECTLY PERFORMED INSTALLATION, MAINTENANCE OR REPAIR, INCLUDING FAILURE TO FOLLOW THE APPLICABLE INSTALLATION, CARE AND CLEANING INSTRUCTIONS*. Some states/provinces do not allow the exclusion or limitation of special, incidental or consequential damages, so the above limitations and exclusions may not apply to you.

WHAT WE WILL DO:

Nasoni, LLC will repair or replace (or if no longer available, provide a comparable product), free of charge at the sole discretion of Nasoni during the applicable warranty period (as described above), any part or finish that proves defective in material and/or workmanship under normal installation, use and service. If repair or replacement is not practical, Nasoni, LLC may elect to refund the purchase price in exchange for the return of the product. Freight cost is not covered by the manufacturer. These are your exclusive remedies.

This warranty is made to the original consumer purchaser in the original installation and is effective from the date of purchase as shown on purchaser's receipt. During the warranty period, Nasoni, LLC will replace any part, which proves defective in material and/or workmanship under normal installation, use and service. Any covered faucet part that fails during the terms of this warranty will be replaced at no charge. Nasoni, LLC recommends using a professional plumber for all installation and repair.

WHAT YOU MUST DO TO OBTAIN WARRANTY SERVICE OR REPLACEMENT PARTS:

A warranty claim may be made and replacement parts can be obtained from your local dealer or distributor or by contacting NASONI at warranty@nasoni.com.

This warranty is the exclusive warranty granted by Nasoni, LLC and is in lieu of all other warranties of merchantability and fitness for a particular purpose and is further limited to defective parts replacement only. Labor charges and/or damage incurred in installation, repair or replacement as well as incidental and consequential damages are excluded. Some states do not allow the exclusion or limitation of incidental or consequential damages so the above limitation or exclusion may not apply to you.

Any replacement products provided by Nasoni, LLC will be warranted for the remaining term of the original limited warranty. This limited warranty may not be changed or modified by any representative of Nasoni, LLC or its distributors or dealers. This is Nasoni, LLC's exclusive written warranty and the warranty is not transferable.

If you have any questions or concerns regarding our warranty, please call, mail or email us using our Contact Form or view our Warranty FAQs at www.nasoni.com.

COMMERCIAL WARRANTY

Nasoni, LLC extends the above limited warranty to purchasers of products for industrial, commercial and business use upon the same terms and conditions and exclusions applicable to residential purchasers, except that the finish, cartridge and mechanical warranty is reduced to three (3) years from the date of purchase. Additionally, with respect to commercial purchasers, all implied warranties, including the implied warranties of merchantability and fitness for a particular purpose are excluded.

Nasoni, LLC shall not be liable for damages caused by delay in performance, regardless of the form of the claim or cause of action (whether based in contract, infringement, negligence, strict liability, other tort, or otherwise), and in no event shall Nasoni, LLC's liability to buyer and/or its buyers exceed the price paid by buyer for the specific goods or portion of the goods provided by Nasoni, LLC giving rise to the claim or cause of action. In no event shall Nasoni, LLC's liability to buyer and/or its customers extend to include direct, indirect, special, incidental, consequential, or punitive damages, all of which are waived by buyer.

Nasoni, LLC, referred to in these Terms and Conditions of Sale ("Terms of Sale") as "Nasoni, LLC" and the customer or person or entity purchasing the Nasoni, LLC fountain faucet.

("Nasoni, LLC Fountain Faucet") from Nasoni, LLC is referred to as the "Buyer." Buyer acknowledges that these Terms of Sale along with any attachment, price list, schedule, quotation, acknowledgment, or invoice from Nasoni, LLC relevant to the sale of the Nasoni Fountain Faucet (collectively, "Attachment"), and all documents incorporated by specific reference into these Terms of Sale or any Attachment, constitute the complete and exclusive statement of the terms of the agreement governing all sales by Nasoni, LLC to Buyer ("Agreement"), regardless of whether or not Buyer or Nasoni, LLC expressly make reference to these Terms of Sale in any documentation related to any such sale. Buyer's acceptance of the Nasoni, LLC Fountain Faucet will manifest Buyer's assent to these Terms of Sale without variance or addition. Nasoni, LLC's agreement to sell Nasoni, LLC Fountain Faucet to Buyer is expressly limited to, and expressly made conditional upon Buyer's acceptance of, this Agreement. Nasoni, LLC hereby objects to and rejects any terms in Buyer's purchase order or other Buyer documents that are different than or in addition to these Terms of Sale, and such terms shall not constitute any part of the agreement between Buyer and Nasoni, LLC. Any Attachment is incorporated herein by reference. Nasoni, LLC reserves the right in its sole discretion to refuse orders.

This is Nasoni's exclusive written warranty.