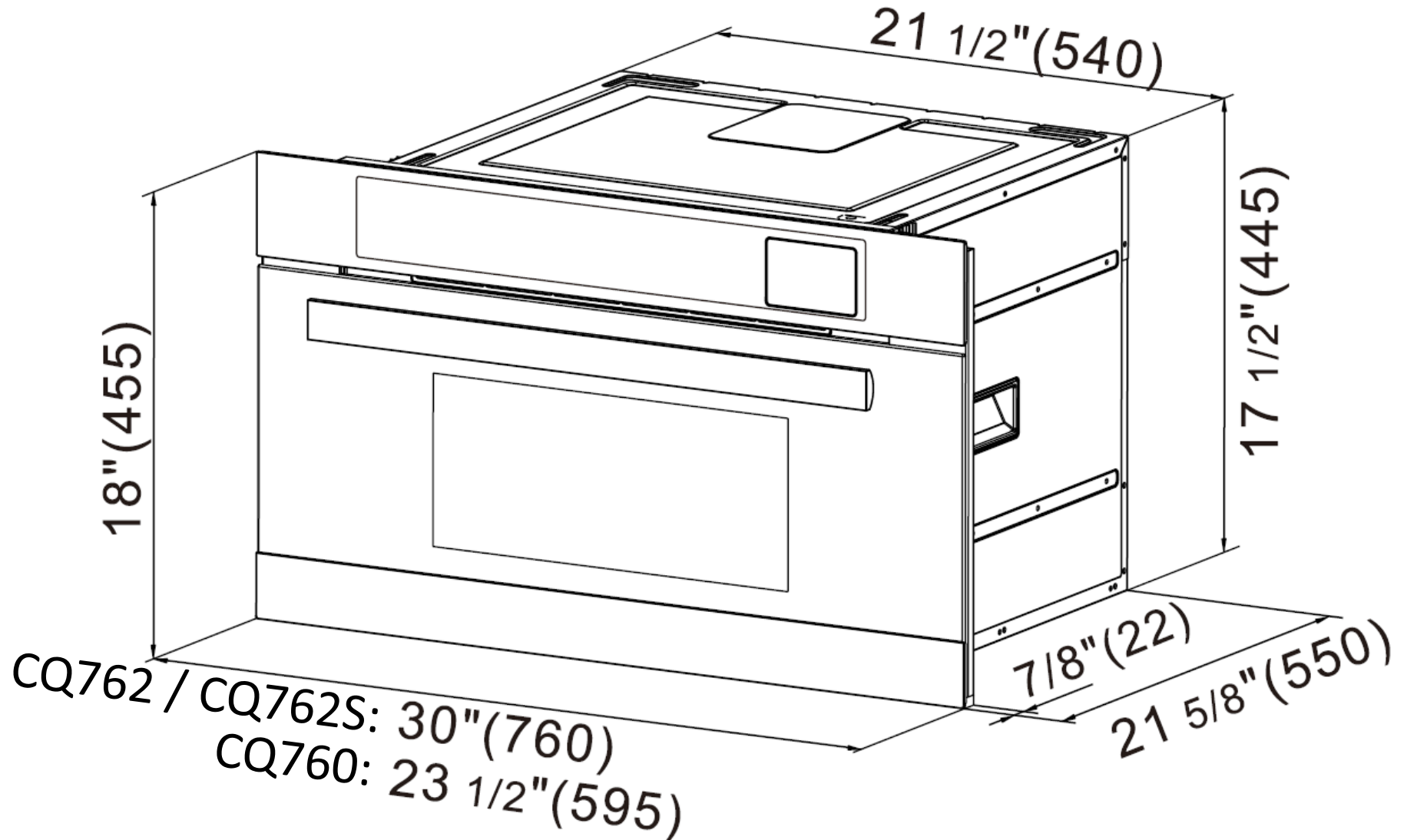


Dimensions Guide



Complete dimensions diagram