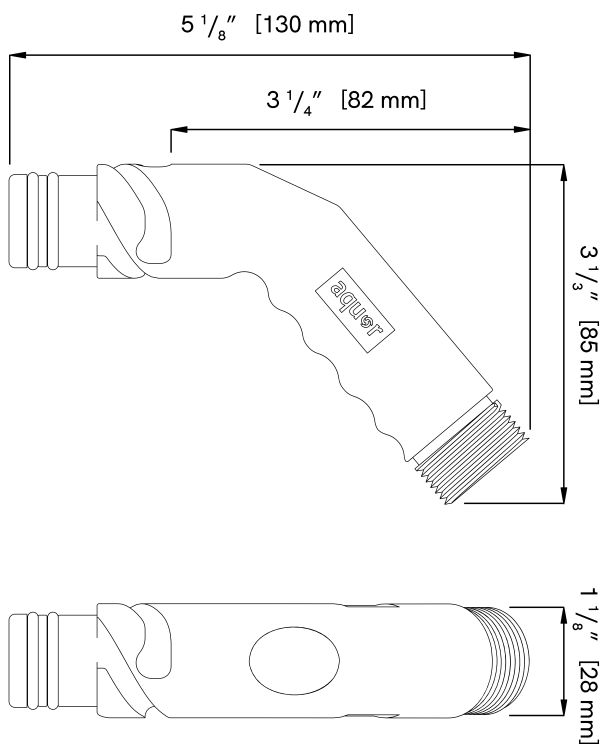


# Angled Hose Connector

CN-AN-B -BLK

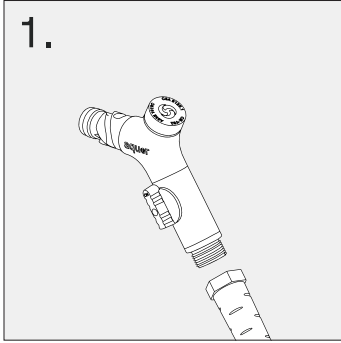


The Angled Connector makes connecting to your Hydrant easier than ever. The downturned handle provides extra leverage. Perfect for higher water pressures, or anyone with arthritis or joint pain.

- Compatible with all Aquor hydrants
- Angled for easier leverage
- 3/4" garden hose thread attaches to any garden hose
- Durable Delrin® polymer and Viton® O-rings
- Built-in check valve to prevent back flow

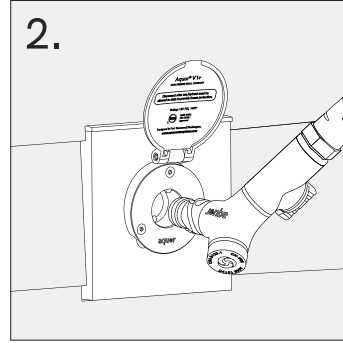
<b>Compatibility</b>	All Aquor hydrants & valves
<b>Color</b>	Aquor Blue or Jet Black
<b>Outlet</b>	3/4" GHT (m)
<b>Backflow Protection</b>	Yes
<b>Operating Temperature</b>	33-140 °F
<b>Operating Water Pressure</b>	25-125 PSI
<b>Flow Rate</b>	6.8 GPM @ 52 PSI
<b>Connector Material</b>	Acetal Resin Polymer
<b>O-Ring Material</b>	Fluorocarbon Rubber
<b>Warranty</b>	5 Years
<b>SKU</b>	CN-AN-B, CN-AN-BLK

## Connecting to your Aquor Hydrant



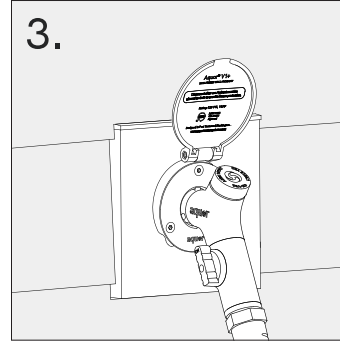
First thread your hose connector onto any hose.

*Comfort Grip Connector shown for demonstration.*



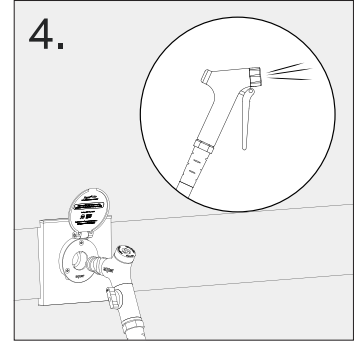
To connect, align the 3 grooves on the connector with the nibs on the hydrant. Gently push in, then twist clockwise.

*Comfort Grip Connector shown for demonstration.*



Once you connect, the valve opens and water flow starts instantly.

*Comfort Grip Connector shown for demonstration.*



Disconnect and depressurize your hose before storing.

*Comfort Grip Connector shown for demonstration.*