

OVERVIEW

Simply Conserve's IC-Rated LED Integrated Downlight Fixture is available in 6" diameter. It can be easily installed in finished drywall or architectural tile ceilings in a wide variety of commercial and residential applications. The downlights provide more than 78 lumens per watt with a high 80+ CRI for efficient performance and excellent color rendering. The new LED fixtures are IC-rated for use in insulated ceilings and meet IECC air leakage requirements. The UL Wet Location listing makes the product a versatile solution for use in areas where water intrusion is likely. These fixtures are designed for easy installation and feature a baffled trim to provide a proper cut-off angle. The Simply Conserve IC-Rated LED Recessed Downlight Series accepts 120 volt AC power supply.

Catalog #		Type
Project		
Comments		Date
Prepared by		

KEY FEATURES

- Operation temperature: -4°F - 104°F
- Storage temperature: -4°F - 104°
- Ignition time: Instant-on
- Construction: Flame-retardant plastic
- Built-in J-box eliminates need for recessed can
- Suitable for wet locations
- Fits standard 6" can
- J-Box allows for daisy chain installation



IC-RATED & AIRTIGHT



EASY TO INSTALL



40,000 HOURS



BEAM ANGLE



DIMMABLE 0-10V



ORDERING INFORMATION

SOURCE	WATTAGE	LAMP TYPE	SIZE	CCT	OPERATION
L = LED	9 = 9W	DL = Down Light	6 = 6 Inch	30 = 3000K	D = Dimmable

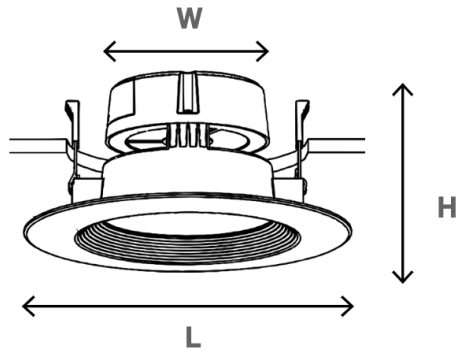
*See ballast compatibility chart at www.amconservationgroup.com

SPECIFICATIONS

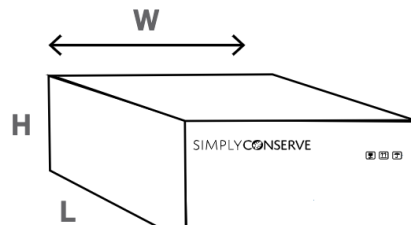
CATALOG #	WATTS	PF	LINE FREQUENCY	CCT	LM	CRI	EQUIVALENT	EFFICACY	VOLTAGE
L9DL630D	9W	≥0.9	60 Hz	3000K	700	≥80	65W	78 lm/W	120V

DIMENSIONS

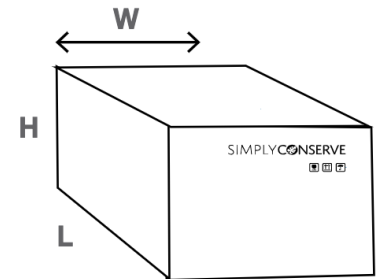
PRODUCT



CASE



INDIVIDUAL



CATALOG #	L	W	H
L9DL630D	8"	4"	7 3/5"

CATALOG #	L	W	H	CASE QTY	GROSS WT
L9DL630D (Case)	24"	17"	8 4/5"	12	12.7 lbs.
L9DL630D (Individual)	8"	4"	7 3/5"	1	0.9 lbs.

5-Year Limited Warranty



If this downlight fails to operate for a 5-year period under normal consumer use (6 hours/day, 7 days/week), from the date of purchase or distribution by an energy conservation program and has been properly installed, AM Conservation Group will replace the lamp free of charge.

For warranty claims, please contact:

customercare@amconservationgroup.com

To learn more, please visit:

www.amconservationgroup.com