

Monocrystalline Module Models

GP-200M-64

Electrical Specifications

*STC : Irradiance 1000W/m², AM1.5 spectrum, module temperature 25°C

Model type	GP-200M-64
Peak power (Pmax)	200W
Cell Efficiency	23.52%
Maximum power voltage (Vmp)	37.9V
Maximum power current (Imp)	5.28A
Open circuit voltage (Voc)	43.5V
Short circuit current (Isc)	5.56A
Power Tolerance	±3%
Maximum system voltage	1000V
Series fuse rating (A)	8
Number of bypass diode	2

Temperature Coefficients

Current Temperature Coefficient $\alpha(I_{sc})$	0.03%/°C
Voltage Temperature Coefficient $\beta(V_{oc})$	-0.32%/°C
Power Temperature Coefficient	-0.42%/°C
Nominal Temperature Of Cells(NOTC)	46±2°C
Application Temperature Range	-40~+85°C

Mechanical Characteristics

Dimensions :	1400x 700 x 30mm (55.1x 27.6 x 1.2 inch)
Weight:	10.25kg (22.65lbs)
Solar Cells:	64 cells in series(4x 16)
Construction:	High-transmission low-iron tempered glass , EVA, TPE
Frame:	Anodized aluminum is mainly for improving corrosion resistance. Color: silver

Output

Cable	LAPP(4mm ²)
Lengths	900mm(+) and 900mm(-)
Connector	MC IV Plug

Module Warranty:

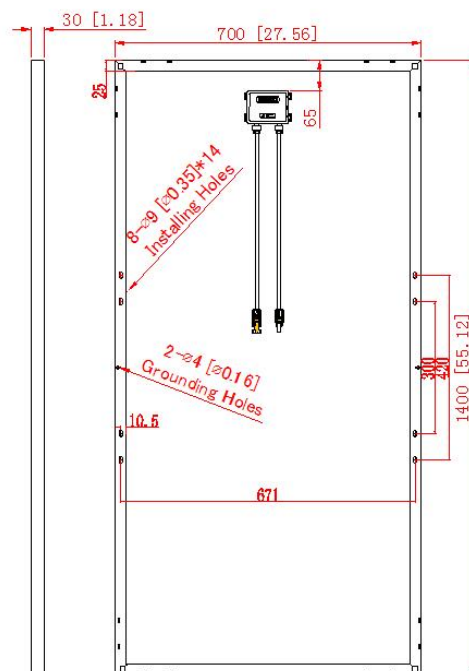
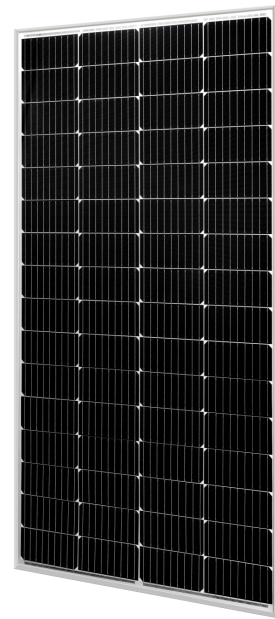
25-year limited warranty of 80% power output;

10-year limited warranty of 90% power output;

5-year limited warranty of materials and workmanship.

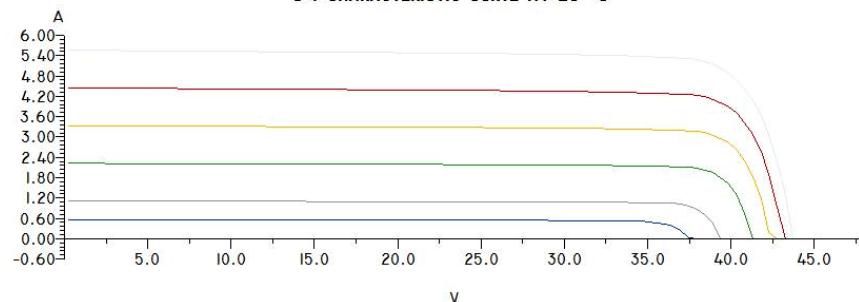
Note: This publication summarizes product warranty and Specifications which are subject to change without notice

Product photos are for reference only, on behalf of actual product.



Module Diagram

U-I-CHARACTERISTIC CURVE AT 25 °C



— U-I-CHARACTERISTIC CURVE 100 W/M² — U-I-CHARACTERISTIC CURVE 200 W/M²
 — U-I-CHARACTERISTIC CURVE 400 W/M² — U-I-CHARACTERISTIC CURVE 600 W/M²
 — U-I-CHARACTERISTIC CURVE 800 W/M² — U-I-CHARACTERISTIC CURVE 1,000 W/M²

Electrical Performance