



Lowboard |chamfer|

Lowboard

Bookshelf, TV sideboard, shoe rack, or storage space - the lowboard |chamfer| stands in the center of a living area. There it represents the courage to use color and, with Neolign, the attitude to sustainable design. In the sunlight, exciting plays of light and shadow are created by the cubic geometry, the perforated structure on the sides and clearly defined edges and surfaces. Tapered feet and a horizontally proportioned silhouette give the lowboard a firm stand and an impressive appearance in the room.

Dimensions : 80/140 x 28 x 53 cm (length x width x height)

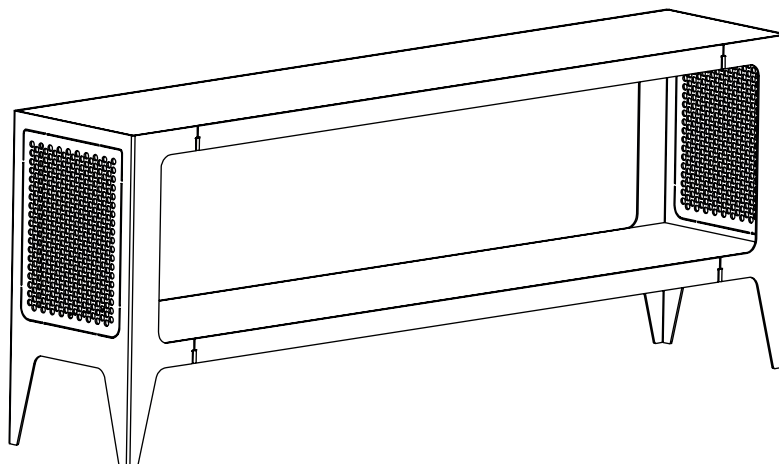
Material : Neolign® (>83% wood content) | 3 mm sheet steel (powder coated)

Neolign®

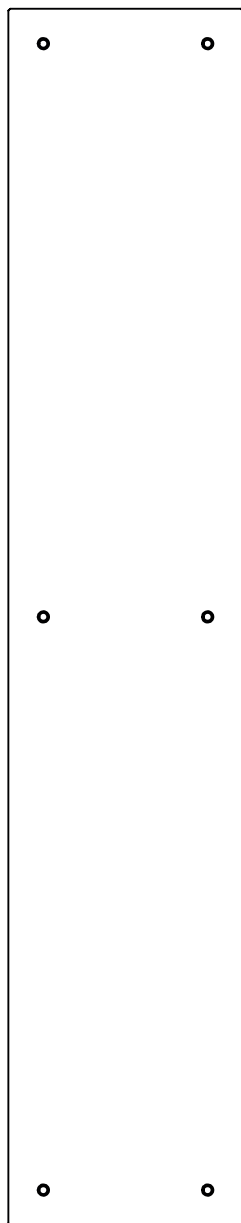
Neolign® is a circular, natural, innovative and industrial wood-based material. It has a natural fiber content of over 83% as a by-product from industrial wood processing and recyclable plastic. Cradle to Cradle describes a concept that brings ecology and economy into a synergetic harmony. This unique circular system guarantees 100% loss-free recycling. The result is a harmoniously changing cycle – just like in nature.

Packaging

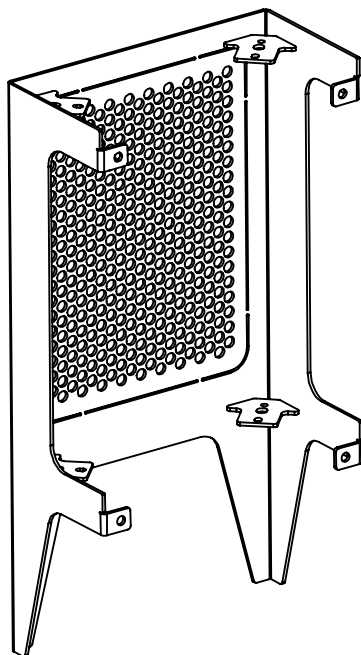
Creating a sustainable product means thinking through the entire process holistically. When packing, we make sure that we do not use plastic and rely on recycled materials. Tools and screws are packed in recycled kraft paper bags and sealed with stickers. Our stickers and greeting cards are made from grass paper and this assembly instruction is printed on recycled paper.



CONTENT



2 x Neolign® board



2 x metal side part



12 x wing screw



8 x screw



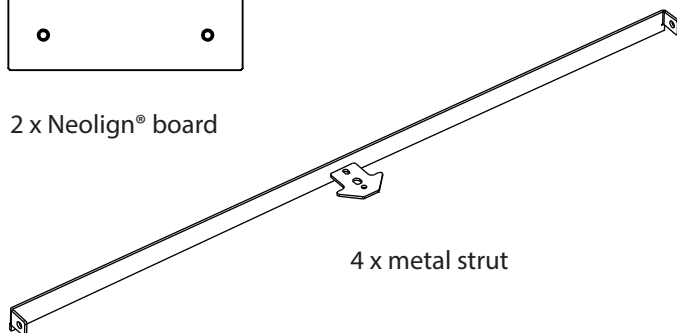
8 x nut



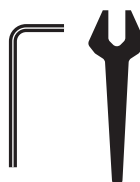
2 x flat washer (if needed)



4 x scratch protection



4 x metal strut



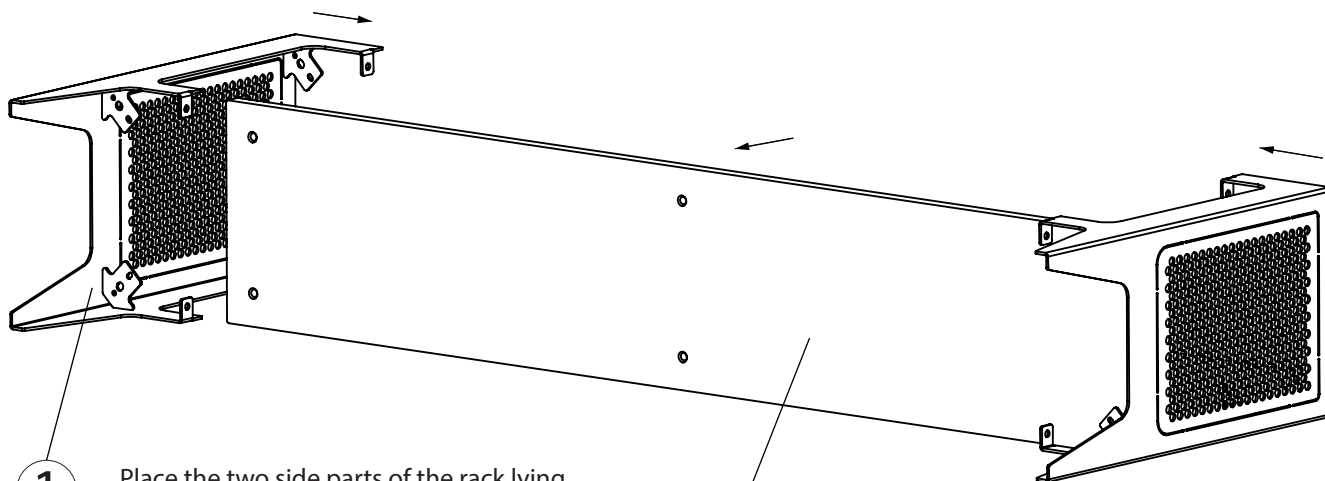
1 x set of tools

Insight:



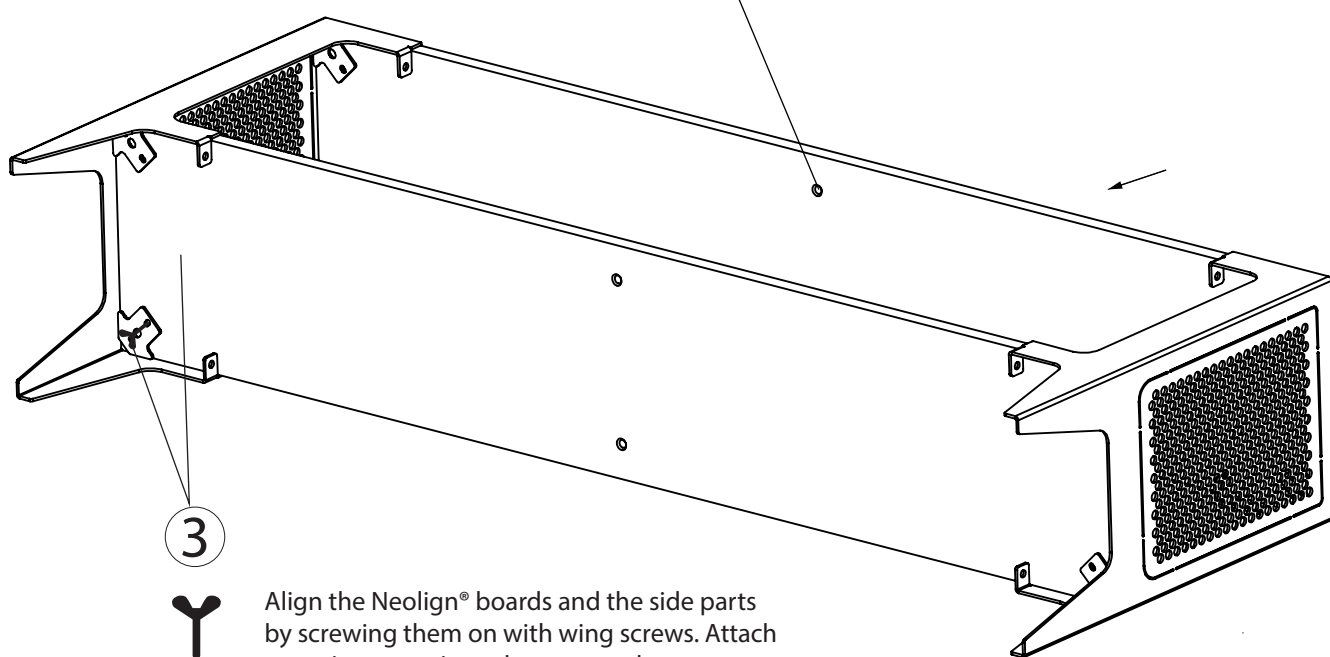
The arrow-shaped contact surfaces are small miracle parts. They are the same for all furniture and allow a variety of furniture type configurations. This small part is iconic for the tool character of the furniture. We do not hide any screws and use standardized construction tools to make the design understandable. Use the respective hole in the arrow-shaped overlay above the drill hole in the Neolign® board and use the screws to connect the two.


ASSEMBLY



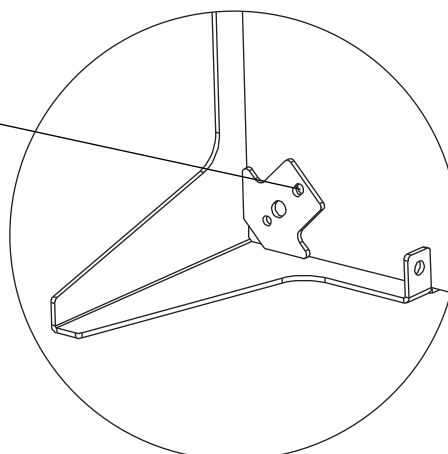
1 Place the two side parts of the rack lying sideways on a flat surface.

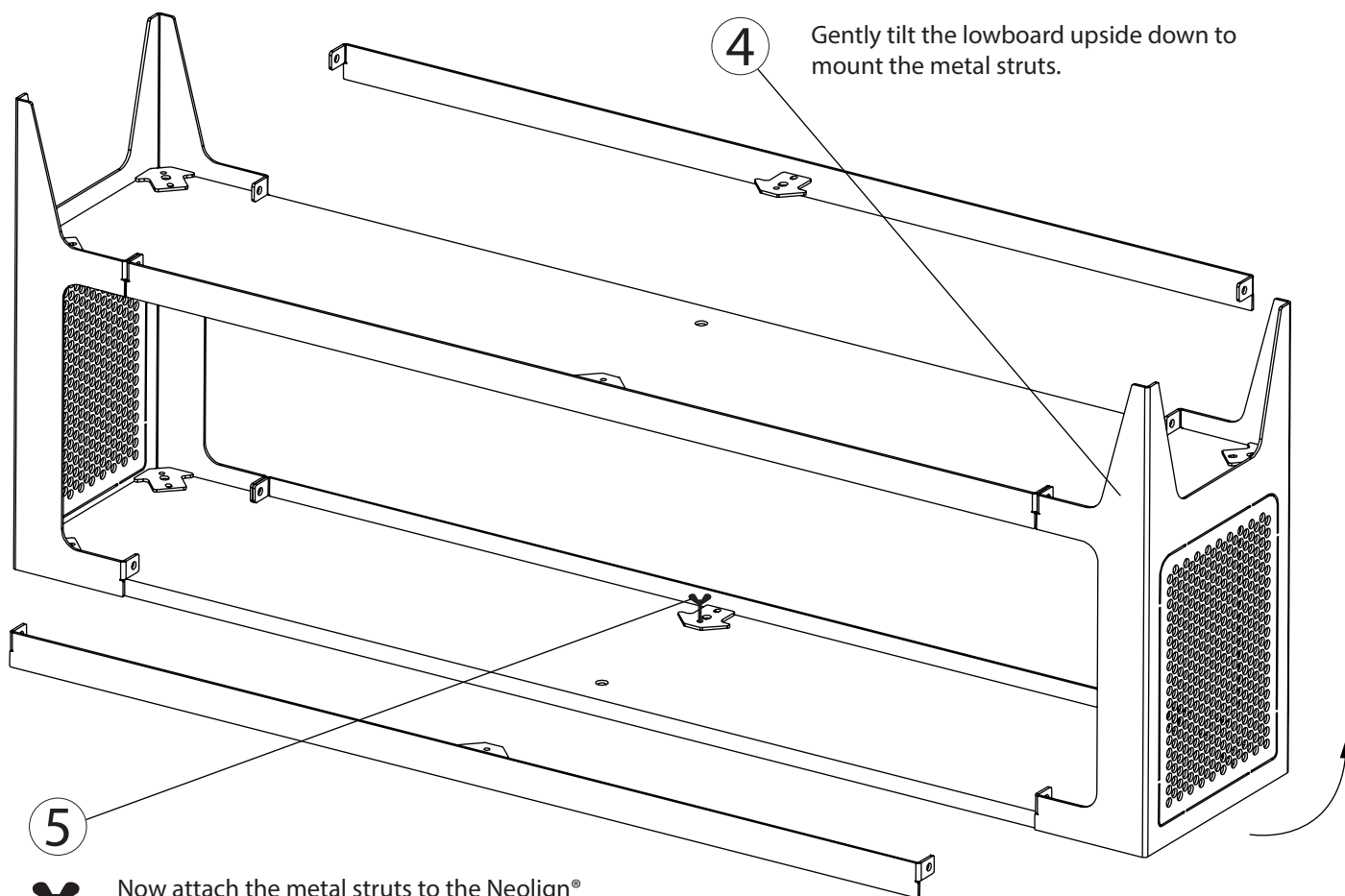
2 Place the Neolign® boards in the rack with the screw holes facing downward so that they rest against the arrow-shaped supports.



3  Align the Neolign® boards and the side parts by screwing them on with wing screws. Attach one wing screw in each corner and one on each longer sides. Tighten them slightly for now so you can readjust later.

Use the outer holes.



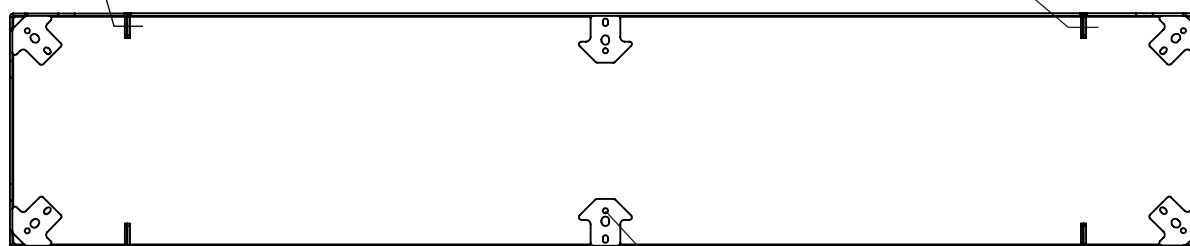


4 Gently tilt the lowboard upside down to mount the metal struts.

5
 Y Now attach the metal struts to the Neolign® boards by using the wing screws. Tighten them slightly for now so you can readjust later. Use the outer holes again and adjust all 12 wing screws.

6
 I Connect the individual rack parts by using the screws and nuts.

7
 T Use the tool provided to tighten the nuts and bolts completely with gentle force.



NOTICE
 For a clean profile the table legs must be flush with the struts.

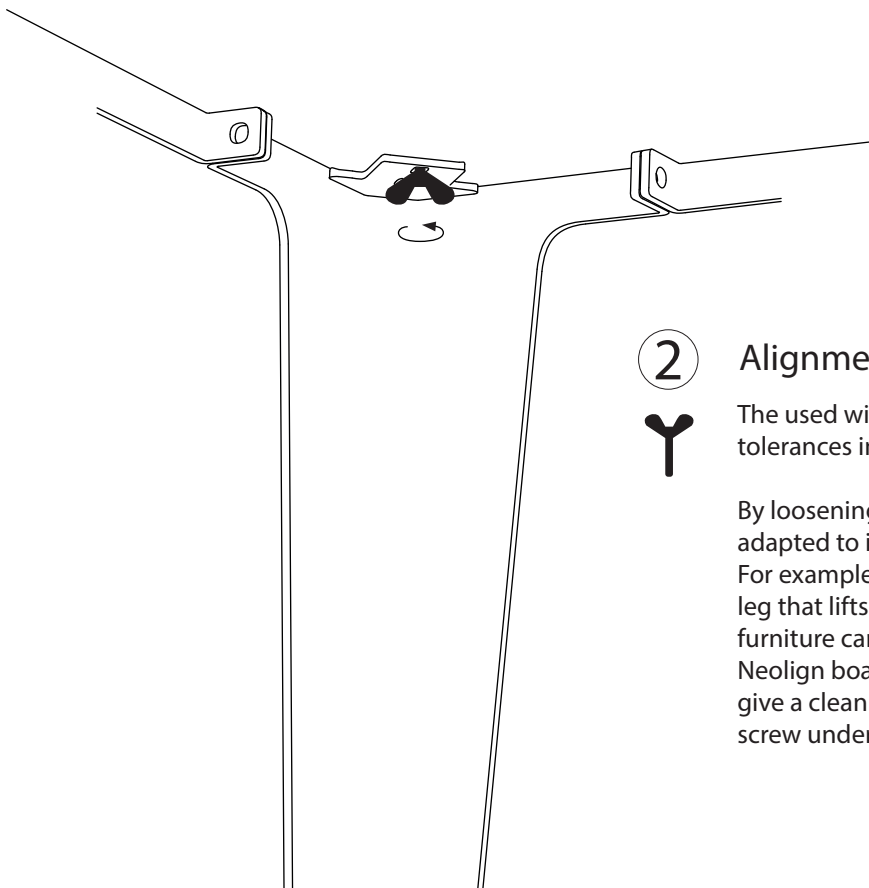
8 Place the furniture on its legs carefully. Avoid putting weight on only two legs. Ask a second person for help if needed.

WYE HACKS

The series |chamfer| is a static miracle. The design enables the furniture to adapt to the surfaces and loads like a skeleton. Each strut and screw serves its purpose to create a delicate yet highly resilient piece of furniture. If your furniture should wiggle due to unforeseen tolerances, you can balance the construction with the washers.

1 Firm stand

Counteract possible wiggling and ensure a firm stand by gently pulling all four steel feet outwards with a slight jerk.



2 Alignment



The used wing screws allow you to counteract tolerances in many ways.

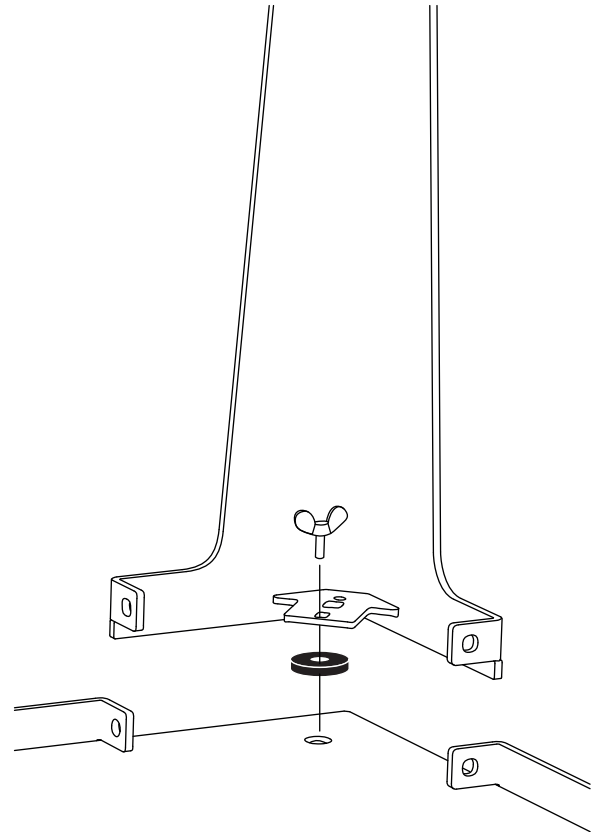
By loosening them slightly, the furniture can be adapted to individual circumstances. For example, if you loosen the wing screw on the leg that lifts off the floor, a slight wiggling of the furniture can be avoided. This also helps if the Neolign boards lying next to each other do not give a clean profile. To do this, loosen the wing screw underneath the board that is a little lower.

3 Uneven surfaces



With the help of the enclosed washers, it is possible to compensate stronger tolerances in wiggling. Proceed as follows:

1. Set up the furniture and determine the feet that are not touching the floor. Usually, these are the two diagonally corners.
2. Turn the furniture upside down and loosen the wing screws on those feet. Ask a second person for help to flip the furniture around if needed. Gently lift the leg and place the washer between the Neolign® board and the leg.
3. Tighten the wing screw with gentle force as usual.
4. Flip the furniture back on its feet. Ensure a firm footing by gently pulling all four steel feet outwards with a slight jerk.

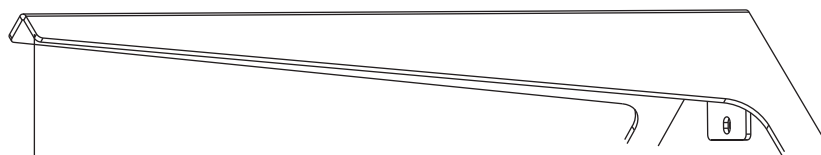


4 Scratch protection

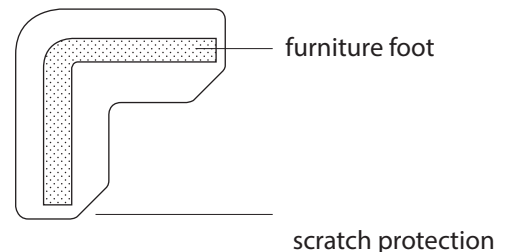


The WYE scratch protection for our furniture consists of 100% fine Merino sheep's wool from Germany and is processed in Austria for us. The merino wool is characterized by its excellent quality and biodegradable.

The scratch protection not only protects sensitive surfaces, but also prevents the furniture from wiggling on uneven surfaces, like flagged floors in outdoor areas.



Remove the protective adhesive film from the scratch protection and stick it to the underside of the furniture base with the adhesive side facing up. Place the scratch protection in the middle so that the felt protrudes on both sides.



NOTICE

We recommend Neolign® Care for the stain-free use of our furniture. It works well with Neolign® and all types of wood indoors and outdoors. It is an environmentally friendly, weather-resistant, and highly water-repellent coating based on natural oils.