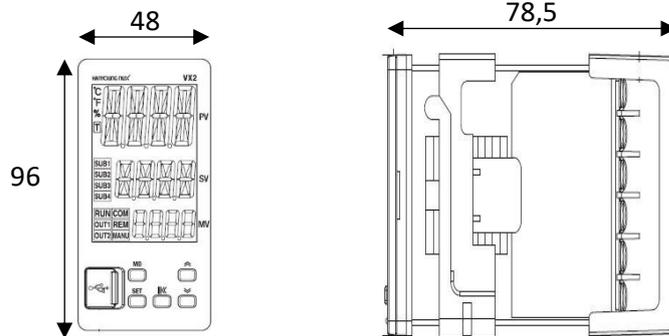


VX2 PID-temperaturregulator är en användarvänlig regulator som täcker de flesta behov inom temperaturstyrning. Det är en programmerbar temperaturregulator i kompakt design och mycket tydlig display.

- PID-reglering
- Autotuning
- Rampstyrning
- Universal ingång
- Alarm Min/Max



- Frontmontering
- Vidvinkel LCD display
- Front har IP65 (med packning)
- Driftspänning 100-240V AC
- USB-port för extern programmering (gratis programvara)

Suffix code

Model	Code										Content
VX	<input type="checkbox"/>	<input type="checkbox"/>	<input type="checkbox"/>	<input type="checkbox"/>	<input type="checkbox"/>	<input type="checkbox"/>	<input type="checkbox"/>	<input type="checkbox"/>	<input type="checkbox"/>	<input type="checkbox"/>	LCD Digital Temperature Controller
Size	2										48(W) × 96(H) × 63(D) mm
	4										48(W) × 48(H) × 63(D) mm
	7										72(W) × 72(H) × 63(D) mm
	9										96(W) × 96(H) × 63(D) mm
Sensor	U										Universal input
OUT 1 (control output 1)	M										Relay output
	S										Voltage pulse output (voltage pulse output for SSR drive)
	C										Current output (4-20 mA current output for SCR drive)
OUT 2 (control output 2)	N										None
	M										Relay output
Power	A										100 - 240 VAC 50/60 Hz
Sub output	A1										1 relay output (VX4 basic option)
	A2										2 relay outputs (VX2, VX7, VX9 basic option)
	A3										3 relay outputs (* 1, * 2)
	A4										4 relay outputs (* 2)
Communication											None
	C										RS-485 communication 1 contact
Retransmission output (RET)											None
	T										Retransmission output (4~20 mA) 1 contact
Digital input (DI)											None
	D2										2 digital inputs (DI 1~2)
	D4										4 digital inputs (DI 1~4)
Current detection input (CT)											None
	H1										Current detection input (CT) 1 contact
	H2										Current detection input (CT) 2 contacts
Remote input (REM)											None
	R										Remote input (4~20 mA) 1 contact

* 1) Not available for VX4. However, when OUT2 is selected as 'M', SUB3 can be used according to the parameter setting.
 * 2) You can select from VX2, VX7, VX9 (VX4 is excluded)
 * Please refer to our user's manual, catalog or homepage for the model names of VX4 available for order.



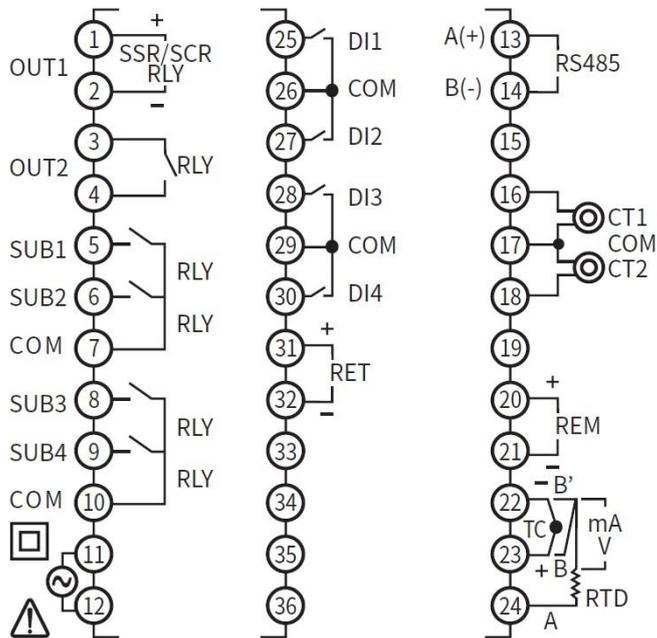
Specifications

Classification		VX2	VX4	VX7	VX9	
Input	Thermocouple	K, J, E, T, R, B, S, L, N, U, W, PLII				
	Reference junction compensation accuracy	±1.5 °C (within -10-50 °C)				
	RTD	JPT100, PT100				
	Allowable line resistance	Each 3 wire within 10 Ω				
	DC voltage / current	1 ~ 5 V (4 ~ 20 mA), 0 ~ 5 V, 0 ~ 10 V, 0 ~ 50 mV, 0 ~ 100 mV				
	Sampling cycle	50 ms				
Control output	Relay output	<ul style="list-style-type: none"> Rated switching capacity: 5A 250 VAC, 5 A 30 VDC Max. switching voltage: 250 VAC, 110 VDC Mechanical life: 20 million times (at 180 CPM) Max. switching power: 750 VA, 90 W Max. switching current: 5 A 				
	Voltage pulse output	12 VDC ± 1 VDC pulse voltage (load resistance min. 600 Ω)				
	Current output	4 ~ 20 mA ± 0.2% of FS ± 1 digit, load resistance: max. 600 Ω				
Control	Control type	ON/OFF, PID control, 2DOF PID control				
	Output operation	Reverse action, direct action				
Memory	Non-volatile memory life	EEPROM unlocked: when setting E2P.L: OFF in G.SET group (EEPROM life: 1 million times write guaranteed) / EEPROM locked: when setting E2P.L: ON in G.SET group (store in RAM)				
Display part (H*W) mm	Display method	Wide viewing angle LCD				
	PV character	20.5 x 6.9	15.2 x 6.8	19.8 x 9.3	29.0 x 13.6	
	SV character	12.8 x 5.9	7.4 x 3.9	10.2 x 4.9	15.0 x 7.2	
USB Loader	MV character	9.3 x 4.4	-	7.5 x 3.3	11.0 x 4.8	
	Communication method	USB 2.0				
	Protocol	<ul style="list-style-type: none"> Protocol : PC-LINK Data bit : 8bit Baudrate : 38400 bps Parity bit : None Start bit : 1 bit Stop bit : 1bit 				
Option	Communication distance	Within 5 m				
	Sub output	Relay 1 ~ 4 outputs, rated switching capacity: 5A 250 VAC, 5 A 30 VDC				
	Digital input	2 inputs or 4 inputs				
	Retransmission output	1 output, 4 ~ 20 mA ± 0.2% of FS ± 1 digit, load resistance: max. 600 Ω				
	Remote input	1 input, 4 ~ 20 mA (1 ~ 5 V)				
	Current detection input	1 input or 2 inputs, 0.0 - 50.0 A, CT-70 current detector (sold separately)				
	RS-485	Communic. method	EIA RS485 standard, 2-wire half-duplex			
		Max. connections	31 (address setting 1-99 available)			
		Communic. sequence	No sequence			
		Communic. distance	Within 1.2 km			
		Communic. speed	4800, 9600, 14400, 19200, 38400, 57600 BPS			
		Start bit	1 bit			
		Data length	7 or 8 bit			
Parity bit		NONE, EVEN, ODD				
Stop bit		1 or 2 bit				
Response time	Actual response time = processing time + (response time X 50 ms)					
Power	Power voltage	100 - 240 VAC, 50/60 Hz				
	Voltage fluctuation rate	±10 % of power voltage				
	Insulation resistance	Min. 20 MΩ, 500 VDC				
	Dielectric strength	2500 VAC, 50/60 Hz for 1 minute (between 1st and 2nd terminal)				
	Power consumption	Max. 8.5 VA	Max. 8.2 VA	To be announced	To be announced	
	Ambient temperature & humidity	-10 ~ 50 °C, 35 ~ 85 % RH (without condensation)				
	Storage temperature	-25 ~ 65 °C				
Approval						
	<ul style="list-style-type: none"> Electrostatic discharge (ESD) : KN61000-4-2 Conductive RF (CS) : KN61000-4-6 EFT(RS) : KN61000-4-3 SURGE : KN61000-4-5 					
	IP66 (front panel)					



Inkoppling

■ VX2, VX9



Vi kan leverera våra temperaturregulatorer programmerade efter kundens önskemål.

VX-serien finns i flera utföranden:



För mer information får ni gärna kontakta oss.

