

# JB9000

Junction box for use with electric trace heating systems

## JUNCTION BOX

- Available for use in safe and hazardous areas.
- Suitable for use with many styles of heating cable.
- IP66/68 rated.
- Can be used with a selection of terminals.

### INTRODUCTION

Heat Trace supply quality junction boxes as part of a complete trace heating system. As standard, robust and corrosion resistant polyamide enclosures are supplied for use in safe (non-hazardous) and hazardous (Zone 1 or Zone 2) areas.

When used in hazardous areas, the enclosures provide type EExe protection (increased safety) as per BS EN 50019:2000, Electrical apparatus for potentially explosive atmospheres. Increased safety "e".

The boxes, as part of the overall Heat Trace System, also meet the requirements of IEC62395 - Electrical Heat Tracing for Safe and Industrial Locations and IEC60079-30 - Electric Heat Tracing for Hazardous Locations (formerly IEC62086).



**HEAT TRACE**  
SETTING THE STANDARDS LEADING THE WAY



The Heat Tracing Authority™

## SPECIFICATION

**AMBIENT TEMPERATURE:** -40°C to +50°C  
(-40°F to +122°F)

**MINIMUM OPERATING TEMPERATURE:** -65°C\* (-85°F)

**ENTRIES:** Standard entries are 20mm and 25mm ISO metric. Alternatives upon request are 3/4" and 1" B.S. Conduit, Pg11, 13.5, 16 and 21, 1/2" and 3/4" N.P.T. Optional 32mm entry on one side to accommodate a DESTU.

### TERMINAL BLOCKS:






#### Weidmuller - Klippon Terminals

Wire Capacity (mm <sup>2</sup> )			Maximum Ratings		
Type	Min	Max	Volts	Amps	Qty
SAK2.5	0.5	2.5	550	15	10
SAK4	0.5	4.0	550	15	8
SAK6N	0.5	6.0	550	18	6
SAK10	2.5	10.0	550	37	4
WDU2.5	0.22	2.5	726	15	8
BK3-BK8	0.5	4.0	275	21	1
MK6/3-4-6	0.5	6.0	418	18	1

#### Entrelec Terminals

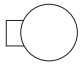
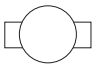
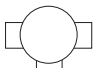


Wire Capacity (mm <sup>2</sup> )			Maximum Ratings		
Type	Min	Max	Volts	Amps	Qty
MA2.5/5	0	2.5	380	15	10
M4/6	0	4.0	660	30	8

### APPROVAL DETAILS:

Testing Authority	Certificate No.
ATEX 	Sira 03ATEX3398
EAC* 	TC RU C-GB.MIO62.B.06045
FM 	3039985
CNEx 	CNEx19.1556
CSA 	1350782 1295278 1352981 1547590

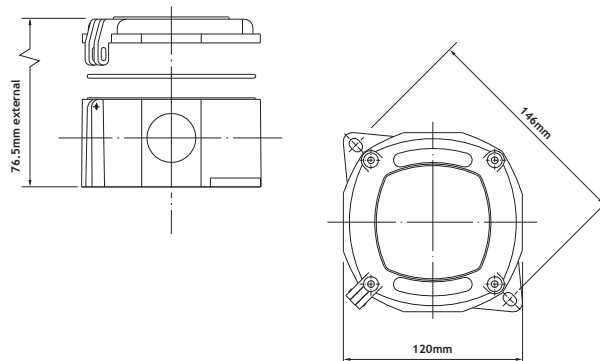
**APPROX VOLUME:** 450cm<sup>3</sup>

**WEIGHT:** 0.47kgs

	20mm	25mm
1 Way 	9001	9051
2 Way 	9002	9052
3 Way 	9003	9053
4 Way 	9004	9054
Angle 	9005	9055

To order Enclosures with alternative entries, please give a full description of your requirements.

### DIMENSIONS:



**MATERIAL:** Glass reinforced Polyamide  
Fire Retardant

**FINISH:** Matt Black

### SPECIAL FEATURE:

The enclosure has a uniquely designed hinged cover that allows the unit to remain 'as one' during installation.

### "T" RATINGS:

The maximum current allowed per terminal way is limited to 26A for a temperature classification of T4 and 16A for a temperature classification of T6. During installation the engineer must apply the relevant T Class to the certification label. Please refer to product instructions for more information.

# HEAT TRACE™

SETTING THE STANDARDS LEADING THE WAY

Heat Trace Ltd, Mere's Edge, Chester Road, Helsby, Frodsham, Cheshire, WA6 0DJ, England.

Tel: +44 (0)1928 726451 Fax: +44 (0)1928 727846

www.heat-trace.com Email: info@heat-trace.com

The information given herein, including drawings, illustrations and schematics (which are intended for illustration purposes only), is believed to be reliable. However, Heat Trace Ltd makes no warranties as to its accuracy or completeness and disclaims any liability in connection with its use. Users of Heat Trace Ltd products should make their own evaluation to determine the suitability of each such product for specific applications. In no way will Heat Trace Ltd be liable for any damages arising out of the misuse, resale or use of the product.