





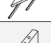

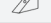
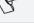


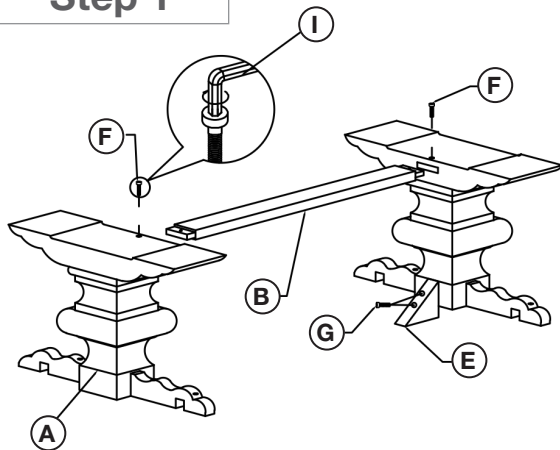
# ASSEMBLY INSTRUCTIONS | MONASTERY EXTENSION DINING TABLE

## PARTS CHECKLIST

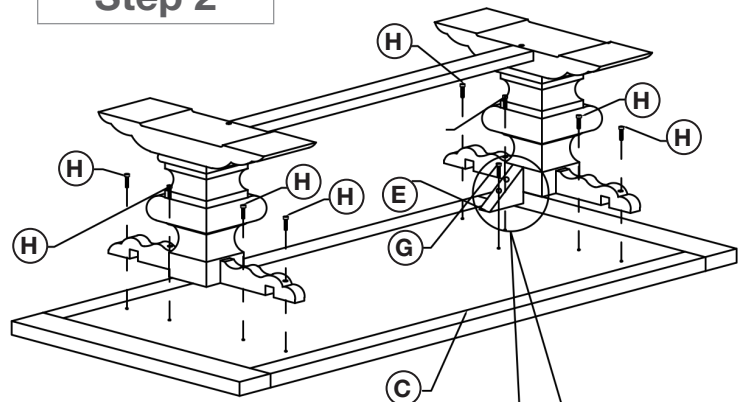
A		Table Base (2 pcs)	F		Screw $\varnothing 8 \times 40$ (2 pcs)
B		Stretcher (1 pc)	G		Screw $\varnothing 8 \times 50$ (4 pcs)
C		Table Top (1 pc)	H		Screw $\varnothing 8 \times 70$ (8 pcs)
D		Extension Leaf (2 pcs)	I		Allen Key (1 pc)
E		Wedge (2 pcs)	J		T-Head Bolt $\varnothing 8 \times 90$ (6 pcs)

**WARNING:** Be sure to use the correct hardware in the correct location. Using incorrect hardware will result in permanent, severe damage to this product.

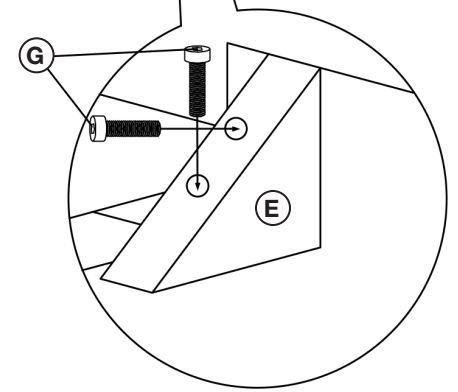
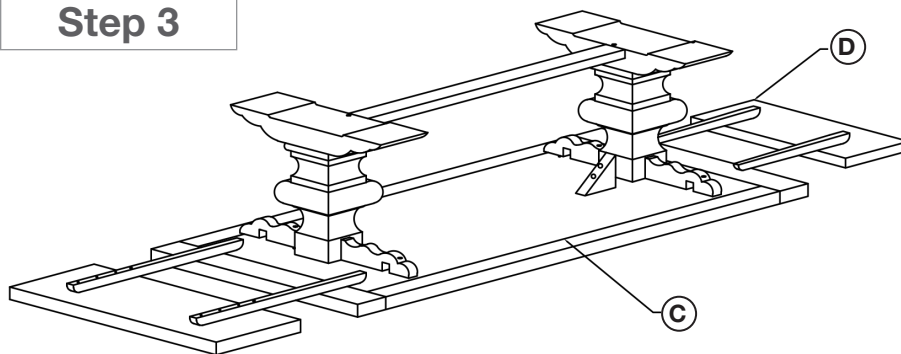
### Step 1



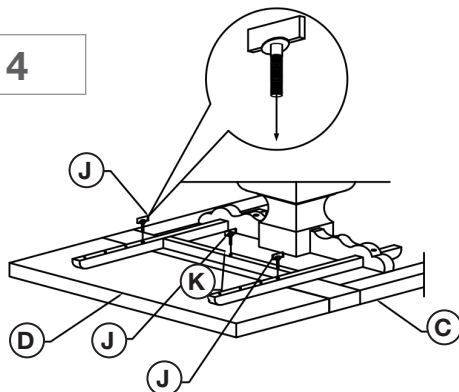
### Step 2



### Step 3



### Step 4



### Finish

