










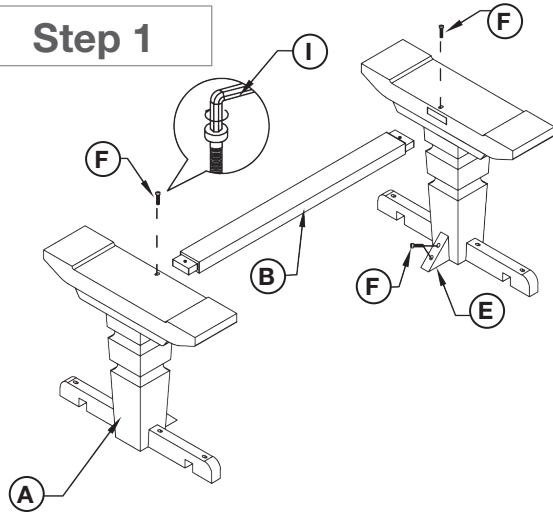
ASSEMBLY INSTRUCTIONS | HAYES EXTENSION DINING TABLE

PARTS CHECKLIST		
A		Table Base (2 pcs)
B		Stretcher (1 pc)
C		Table Top (1 pc)
D		Extension Leaf (2 pcs)
E		Wedge (2 pcs)

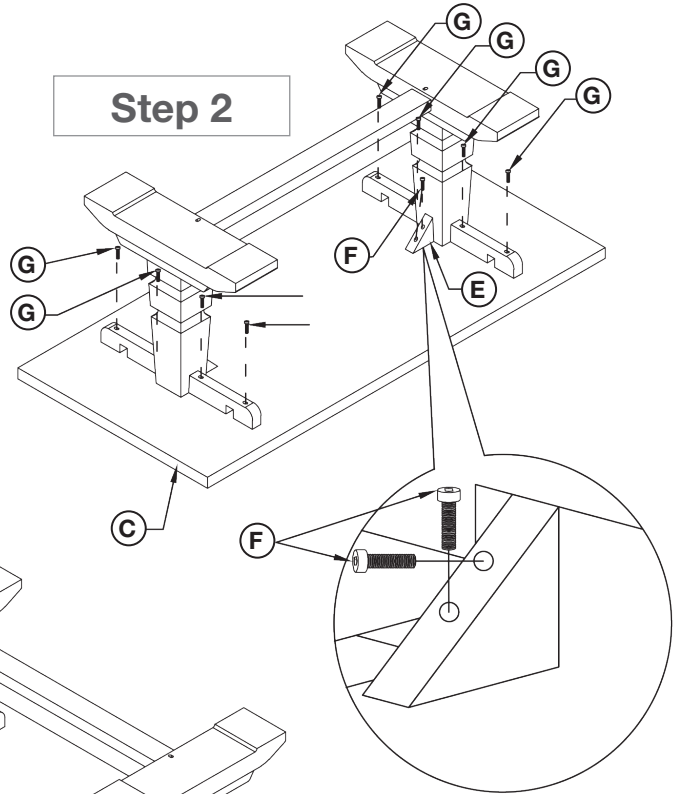
HARDWARE CHECKLIST		
F		Ø8*45 (6 pcs)
G		Ø8*60 (8 pcs)
H		Allen Key (1 pc)
I		T-Head Bolt Ø8*60 (6 pcs)

WARNING: Make sure you are using the correct hardware in the correct location. Using the incorrect hardware will result in permanent, severe damage to this product.

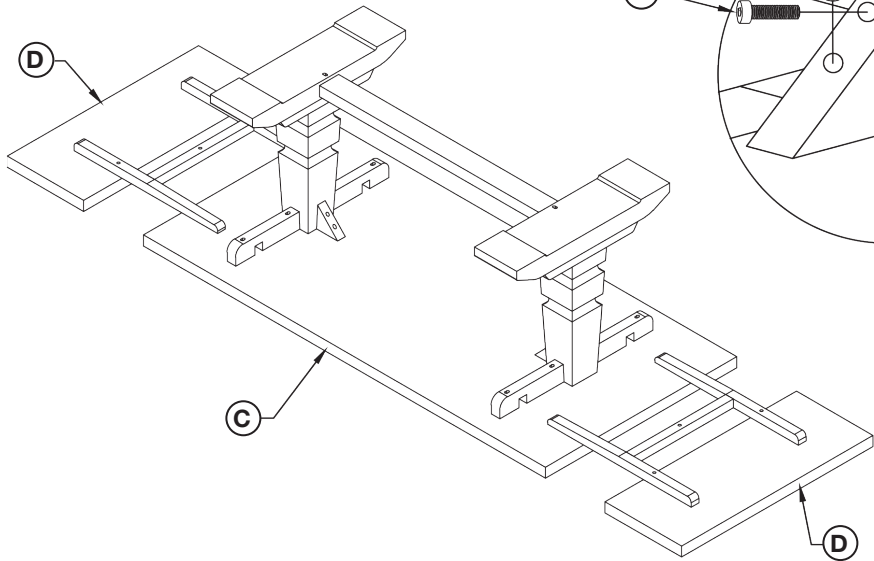
Step 1



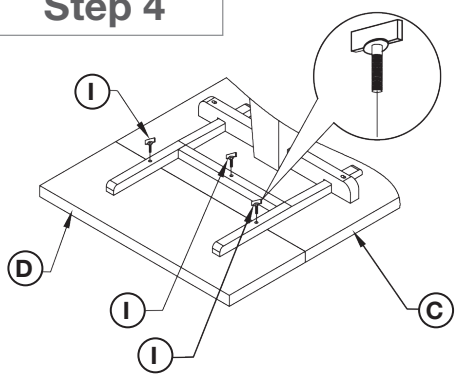
Step 2



Step 3



Step 4



Finished

