



# NARROW STACKING CHEST DRAWER

NSN-5,6

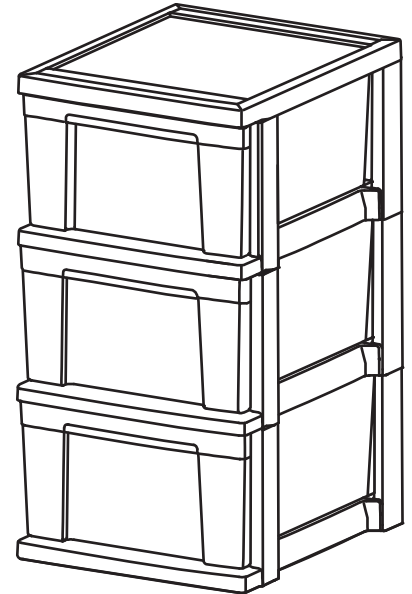
FOR INDOOR USE ONLY

## GENERAL INSTRUCTIONS

Thank you for purchasing this product.  
Read these instructions carefully before use.  
Keep these instructions for future reference.

PRODUCT SIZE (approx)	
NSN	15 in x 12 1/8 in x 8 3/8 in
NSN-5	15 in x 12 1/8 in x 38 1/8 in
NSN-6	15 in x 12 1/8 in x 45 5/8 in

\*Product specifications may be subject to change without notice.



## PRECAUTIONS

FOR SAFE USAGE PLEASE OBSERVE THE FOLLOWING:

### FOR INDOOR STORAGE USE ONLY

During use:

- Keep product on a flat, stable surface.
- Do not use near stove or other sources of fire.
- Please observe weight tolerance and do not overload product.

For safety:

- Do not allow children to play with product.
- Do not let children climb on the product.
- Do not store excessive weight in the product.

To avoid damage to product:

- Keep away from direct sunlight or high humidity.
- Wipe away any water, oil, or soap immediately.
- Do not place hot or wet items on the product.

## CLEANING METHOD

TO MAINTAIN HIGH PERFORMANCE OF THE PRODUCT, PLEASE MAKE SURE TO OBSERVE THE FOLLOWING:

- For hard to remove stains, wipe with diluted dish soap on damp cloth and dry thoroughly
- Do not use cleaning products such as alcohol, gasoline, bleach or detergent powder.

**IRIS USA, INC.**

IRIS USA, Inc.

ADDRESS: 13423 W Cactus Rd. Surprise, AZ 85379

TEL: 800-320-4747

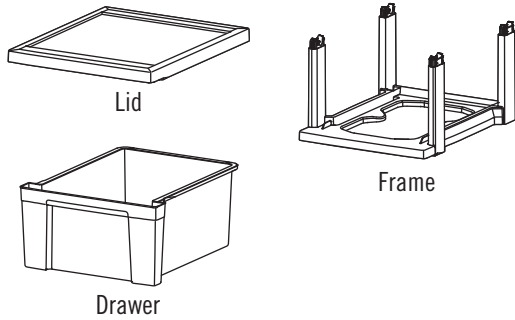
WEBSITE: [www.irisusainc.com](http://www.irisusainc.com)

071321-JMB-USA-01

# ASSEMBLY METHOD

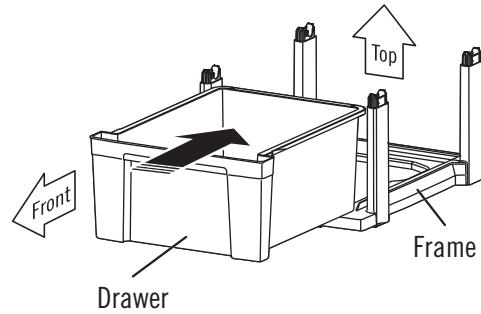
NSN-3,4,5,6

Please confirm that all parts are present before assembling.

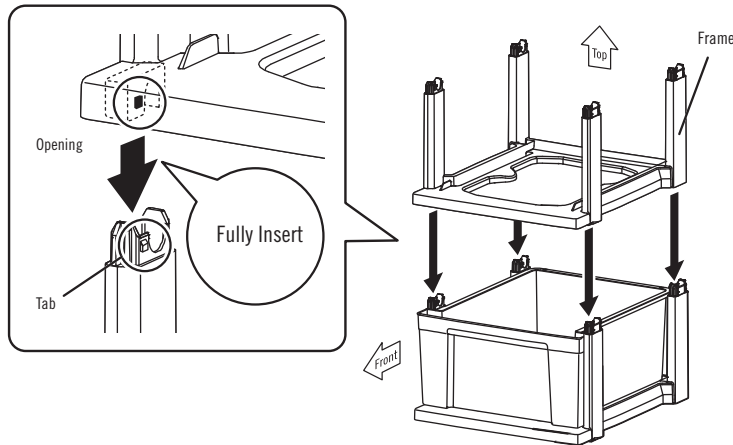


The lid comes equipped with an integrated steel reinforcement beam. If the beam becomes dislodged for any reason, please reattach it to the underside of the lid using the front grooves.

**1** Place Drawer into Frame



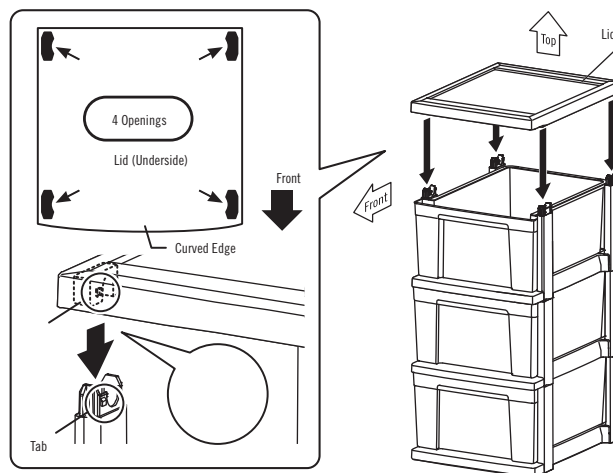
**2** Attach the next frame to the top of the previous one by inserting the tabs into the openings.



**Caution**

Watch your fingers and hands while assembling product.

**3** Repeat steps 3 and 4 until all of the drawers and frames have been assembled. Then, attach lid as shown below.



**IRIS USA, INC.**

ADDRESS: 13423 W Cactus Rd. Surprise, AZ 85379  
WEBSITE: [www.irisusainc.com](http://www.irisusainc.com)

IRIS USA, Inc.

TEL: 800-320-4747

071321-JMB-USA-01



# WIDE STACKING CHEST DRAWER

NSW-6

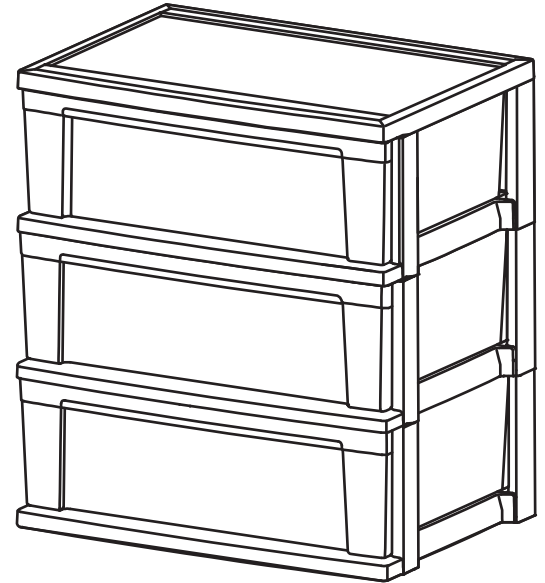
FOR INDOOR USE ONLY

## GENERAL INSTRUCTIONS

Thank you for purchasing this product.  
Read these instructions carefully before use.  
Keep these instructions for future reference.

PRODUCT SIZE (approx)	
NSW	15 in x 20 <sup>7</sup> / <sub>8</sub> in x 8 <sup>1</sup> / <sub>2</sub> in
NSW-6	15 in x 20 <sup>7</sup> / <sub>8</sub> in x 45 <sup>5</sup> / <sub>8</sub> in

\*Product specifications may be subject to change without notice.



## PRECAUTIONS

FOR SAFE USAGE PLEASE OBSERVE THE FOLLOWING:

### FOR INDOOR STORAGE USE ONLY

During use:

- Keep product on a flat, stable surface.
- Do not use near stove or other sources of fire.
- Please observe weight tolerance and do not overload product.

For safety:

- Do not allow children to play with product.
- Do not let children climb on the product.
- Do not store excessive weight in the product.

To avoid damage to product:

- Keep away from direct sunlight or high humidity.
- Wipe away any water, oil, or soap immediately.
- Do not place hot or wet items on the product.

## CLEANING METHOD

TO MAINTAIN HIGH PERFORMANCE OF THE PRODUCT, PLEASE MAKE SURE TO OBSERVE THE FOLLOWING:

- For hard to remove stains, wipe with diluted dish soap on damp cloth and dry thoroughly
- Do not use cleaning products such as alcohol, gasoline, bleach or detergent powder.

**IRIS USA, INC.**

ADDRESS: 13423 W Cactus Rd. Surprise, AZ 85379

WEBSITE: [www.irisusainc.com](http://www.irisusainc.com)

IRIS USA, Inc.

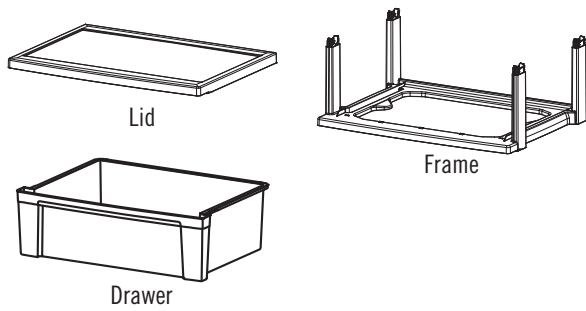
TEL: 800-320-4747

071321-JMB-USA-01

# ASSEMBLY METHOD

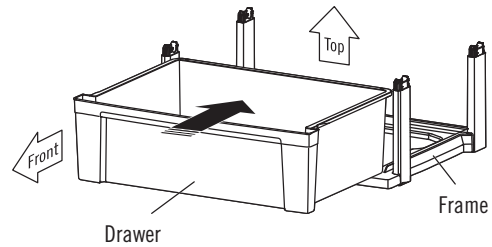
NSW-3,4,5,6

Please confirm that all parts are present before assembling.

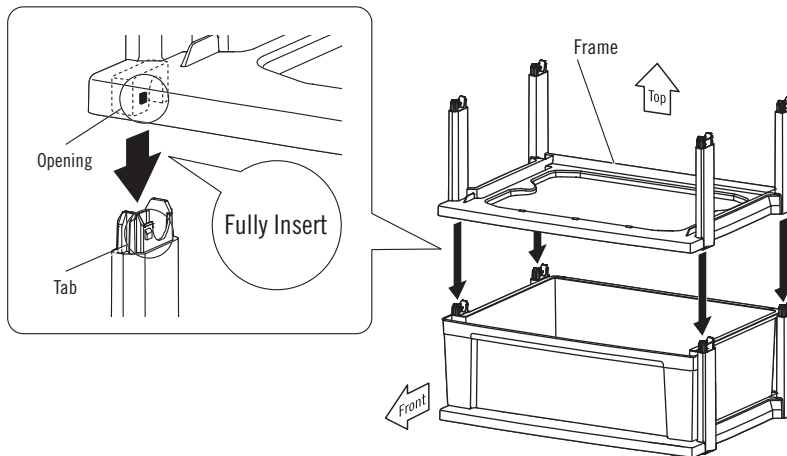


The lid comes equipped with an integrated steel reinforcement beam. If the beam becomes dislodged for any reason, please reattach it to the underside of the lid using the front grooves.

## 1 Place Drawer into Frame



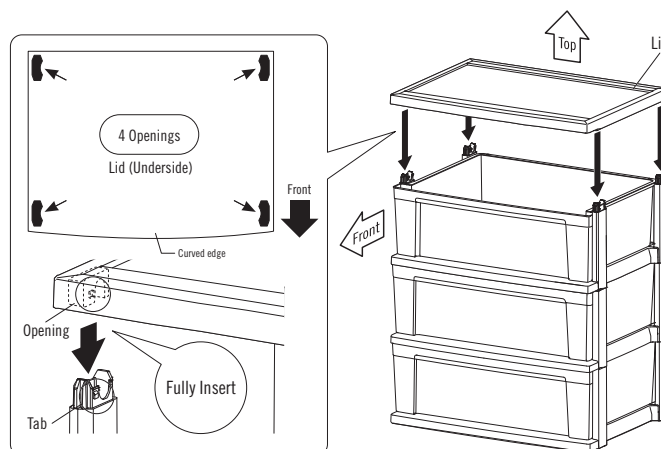
## 2 Attach the next frame to the top of the previous one by inserting the tabs into the openings.



### Caution

Watch your fingers and hands while assembling product.

## 3 Repeat steps 3 and 4 until all of the drawers and frames have been assembled. Then, attach lid as shown below.



**IRIS USA, INC.**

ADDRESS: 13423 W Cactus Rd. Surprise, AZ 85379  
WEBSITE: [www.irisusainc.com](http://www.irisusainc.com)

IRIS USA, Inc.

TEL: 800-320-4747

071321-JMB-USA-01