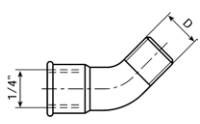
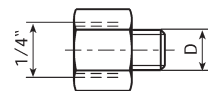
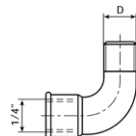
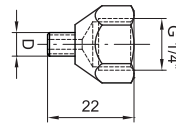
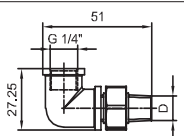
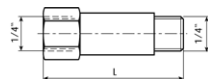
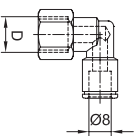
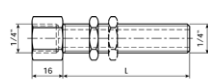
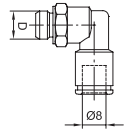
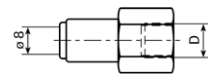
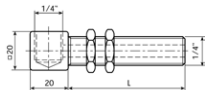
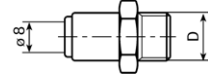
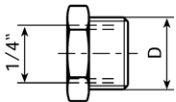
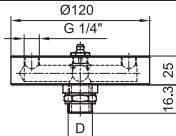
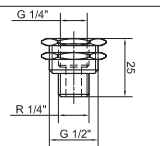
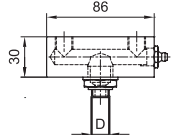


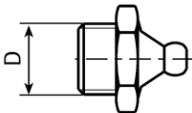
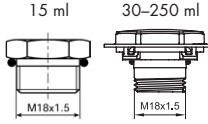
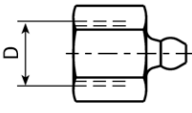
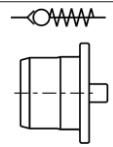
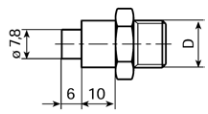
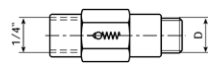
Accessories



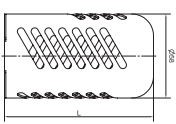
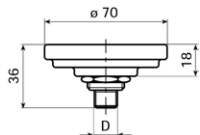
Connections

	Bent connection 45° D R 1/4 Nr. 290-10010		Reducing nipple D G 1/8 G 1/4 M 6 M 8 M 8x1 Nr. 290-10200 290-10210 290-10220 290-10230 290-10240 D M 10 M 10x1 M 12 M 12x1,5 UNF 1/4 Nr. 290-10250 290-10260 290-10270 290-10280 290-11210
	Bent connection 90° D R 1/4 Nr. 290-10020		Reducing nipple strong version Inox D M6 UNF 1/4 Nr. 290-15000 290-15010
	Bent connection 90° swiveling D R 1/4 Nr. 290-10040		Extension L 10 35 50 [mm] Nr. 290-10210 290-10400 290-10410
	Rotary elbow for hose Ø 8 mm D G 1/4 Nr. 290-10030		Screwed connection with hole 25 mm incl. 1 nut / 60 mm, incl. 2 nuts L 25 60 [mm] Nr. 290-10450 290-10460
	Rotary elbow for hose Ø 8 mm D G 1/8 G 1/4 Nr. 290-10070 290-10080		Quick connection for hose Ø 8 mm D G 1/4 Nr. 290-10600
	Connection 90° with thread incl. 2 nuts (only for oil) L 70 [mm] Nr. 290-10050		Quick connection for hose Ø 8 mm D G 1/8 G 1/4 G 3/8 Nr. 290-10700 290-10710 290-10720
	Connecting nipple D G 3/8 G 1/2 Nr. 290-10100 290-10110		4-fold adapter D G 1/2 G 1/4 Nr. 290-41000 290-41010
	Fixation nipple G 1/2" - R 1/4" L 25 [mm] Nr. 290-10150		2-fold adapter D G 1/2 G 1/4 Nr. 290-41020 290-41030

Lubricator accessories and miscellaneous

	Filling nipple for cleaning and filling of grease lines D R 1/4 Nr. 290-30110		Gas generator for refilling <table border="1"> <tr> <td>15 ml</td> <td>30 ml</td> <td>60 ml</td> <td>125 ml</td> <td>250 ml</td> </tr> <tr> <td>Nr. 220-50020</td> <td>220-50040</td> <td>220-50060</td> <td>220-50080</td> <td>220-50100</td> </tr> </table>	15 ml	30 ml	60 ml	125 ml	250 ml	Nr. 220-50020	220-50040	220-50060	220-50080	220-50100
15 ml	30 ml	60 ml	125 ml	250 ml									
Nr. 220-50020	220-50040	220-50060	220-50080	220-50100									
	Refill nipple for refilling of simalube D G 1/4 Nr. 290-30120		Non-return valve plug Plastic Nr. 290-50600										
	Refill nipple for filling the simalube with grease gun filler D R 1/4 R 3/8 Nr. 290-30130 290-30140		Non-return valve D G 1/8 G 1/4 G 1/4 Nr. 290-20200 290-20210 290-20230 Bar 0.05 0.05 1.0										

Safety accessories

	Protective cover for mounting support art. 290-20800 <table border="1"> <tr> <td>30 ml</td> <td>≤125 ml</td> <td>250 ml</td> </tr> <tr> <td>L 43</td> <td>105</td> <td>195 [mm]</td> </tr> <tr> <td>Nr. 290-20860</td> <td>290-20810</td> <td>290-20850</td> </tr> </table>	30 ml	≤125 ml	250 ml	L 43	105	195 [mm]	Nr. 290-20860	290-20810	290-20850		Mounting support for all simalube sizes D R 1/4 Nr. 290-20800
30 ml	≤125 ml	250 ml										
L 43	105	195 [mm]										
Nr. 290-20860	290-20810	290-20850										

Brushes

	Round brush DxL $\varnothing 25 \times 45$ [mm] Nr. 290-20340		Brush for high temperatures H 25 [mm] Nr. 290-20500
	Round brush short DxL $\varnothing 25 \times 15$ [mm] Nr. 290-20410		Brush for high temperatures Connection on top and side H 40 100 [mm] Nr. 290-20510 290-20530
	Brush FN for food applications L 25 40 70 100 [mm] Nr. 290-20380 290-20350 290-20360 290-20370 Nr. 290-20385 290-20355 290-20365 290-20375		Elevator brush Elevator brush 5-16 mm, height 32 mm 16-32 mm, height 32 mm Nr. 290-20390 Nr. 290-20440
	Brush lateral connection SFN for food applications L 25 40 70 100 Nr. 290-20384 290-20354 290-20364 290-20374 Nr. 290-20357 290-20367 290-20377		Elevator brush small 5-16 mm, height 32 mm Nr. 290-20420

Installation accessories

	a) Hose b) Hose for temperatures up to 260 °C c) Hose for small bend radius L available by the metre, $\varnothing 8/6$ mm Nr. 290-20000/...m 290-20020/...m 290-20040/...m		Distance holder to clamp for round brush art. 290-20130 H 15 [mm] Nr. 290-20140
	Clamp for simalube/round brush Plastic D 22 (SL 15 ml) 28 (Brush) 50 (SL 30-250 ml) [mm] Nr. 290-20150 290-20130 290-20100		Bracket to mounting support simalube art. 290-20800 L 1x 3x 5x 75 240 390 [mm] Nr. 290-20820 290-20830 290-20840
	Magnetic fixture for clamps Nr. 290-20190		Bracket for simalube 15-60 ml Nr. 290-20870
	Adapter for clamp (60 mm) Plastic D 50 [mm] Nr. 290-20120		Bracket universally adjustable Nr. 290-28000

simalube multipoint installation components

	Quick connection for hose $\varnothing 4$ mm D G 1/8 G 1/4 M 5 M 6 Nr. 290-11700 290-11710 290-11720 290-11730		Hose available by the metre L per metre $\varnothing 4/2,7$ mm Nr. 290-21000/...m
	Connection SLM D 5x $\varnothing 4$ mm Nr. 290-29000		

Grease cartridges and oil bottles for prelubrication

	Grease cartridge 400 ml <table border="1"> <tr> <td>SL01</td> <td>SL02</td> <td>SL04</td> <td>SL06</td> <td>SL09</td> </tr> <tr> <td>Nr. 290-70010</td> <td>290-70020</td> <td>290-70040</td> <td>290-70060</td> <td>290-70090</td> </tr> <tr> <td>SL10</td> <td>SL12</td> <td>SL24</td> <td>SL25</td> <td>SL26</td> </tr> <tr> <td>Nr. 290-70100</td> <td>290-70120</td> <td>290-70240</td> <td>290-70250</td> <td>290-70260</td> </tr> </table>	SL01	SL02	SL04	SL06	SL09	Nr. 290-70010	290-70020	290-70040	290-70060	290-70090	SL10	SL12	SL24	SL25	SL26	Nr. 290-70100	290-70120	290-70240	290-70250	290-70260		Oil bottle 0,5 l <table border="1"> <tr> <td>SL14</td> <td>SL15</td> <td>SL16</td> <td>SL18</td> <td>SL19</td> </tr> <tr> <td>Nr. 290-71140</td> <td>290-71150</td> <td>290-71160</td> <td>290-71180</td> <td>290-71190</td> </tr> </table>	SL14	SL15	SL16	SL18	SL19	Nr. 290-71140	290-71150	290-71160	290-71180	290-71190
SL01	SL02	SL04	SL06	SL09																													
Nr. 290-70010	290-70020	290-70040	290-70060	290-70090																													
SL10	SL12	SL24	SL25	SL26																													
Nr. 290-70100	290-70120	290-70240	290-70250	290-70260																													
SL14	SL15	SL16	SL18	SL19																													
Nr. 290-71140	290-71150	290-71160	290-71180	290-71190																													

simalube IMPULSE accessories

	simalube IMPULSE connect pressure booster Nr. 230-10100		Battery pack Power 6 V 2,3 Ah Nr. 230-50000
--	---	--	--

simatec – innovative solutions that deliver outstanding customer benefits

simatec is an international, Swiss family enterprise. Since its founding in 1983, this motivated team has been developing, manufacturing and marketing innovative products for the maintenance of rolling bearings under the brand names of simalube, simatherm and simatool.

The direct customer benefits are always at the forefront. Using newly developed technologies, simatec simplifies complex processes and reduces routine maintenance for tens of thousands of machines around the globe.

Selected distribution partners sell simatec maintenance products around the world. They provide professional service and individual, expert advice.

Maintenance products by simatec – industrial technology



Lubricators

The simalube lubricator provides automatic lubrication over a period of one month to a year and can be adjusted in an infinitely variable manner. simalube supplies every lubricating point with the ideal amount of lubricant – be it oil or grease – so that subsequent manual lubrication is no longer needed and maintenance costs are reduced in the long term.



Induction Heaters

simatherm induction heaters heat circular metal parts, such as roller bearings, in a very short amount of time, so they can be installed quickly and efficiently. The inductive heating of metallic workpieces makes sense from both an economical and ecological perspective. simatec is the world's leading manufacturer of these types of heaters.



Tools

The simatool toolkits enable the fast installation and removal of roller bearings and seals. They are used all over the world in machine and maintenance workshops within all industries.

simalube

simatherm

simatool

Official simatec distribution partner

flexilube Ltd
Holly Farm Business Park
Honiley
Kenilworth
Warks
CV8 1NP
T: 01676 540688
E: sales@flexilube.co.uk
W: www.simalube.co.uk



simatec



flexilube
smart lubrication