

simalube IMPULSE connect – digital monitoring and configuration via Bluetooth®

The pressure booster up to 10 bar for long lubrication lines or high counter-pressures



NEW: control simalube IMPULSE connect with the «simatec world of maintenance» app.

 SWISS MADE

simalube

Download the app now:



The simalube IMPULSE connect

The simalube IMPULSE connect can be controlled directly via Bluetooth® with the «simatec world of maintenance» app

The simalube IMPULSE connect is the latest generation of the pressure booster from the simalube family. The proven functions of the IMPULSE have been supplemented with the option of connecting the device to a smartphone via Bluetooth®. In connection with the newly developed «simatec world of maintenance» app, the devices can be easily configured and then monitored without having to be directly at the lubrication point. Information such as general status, fill level, lubricant, size, start and change date etc. is displayed to the user and easy to read in the app.

simatec app «simatec world of maintenance»

With the «simatec world of maintenance» app, simatec ag has created a platform for easier and more efficient management of lubrication work. The app offers the user the possibility to record lubrication points, to set the necessary parameters for the lubrication and to control or monitor all activities around the lubrication. The simalube IMPULSE connect equipped with Bluetooth® can be configured directly via the app, the current operating status can be viewed from a distance of up to 20 m via the app.



Your advantages

- Communication via Bluetooth®
- Configuration and monitoring with the «simatec world of maintenance» app
- Universally configurable
- Reusable
- 10 bar pressure



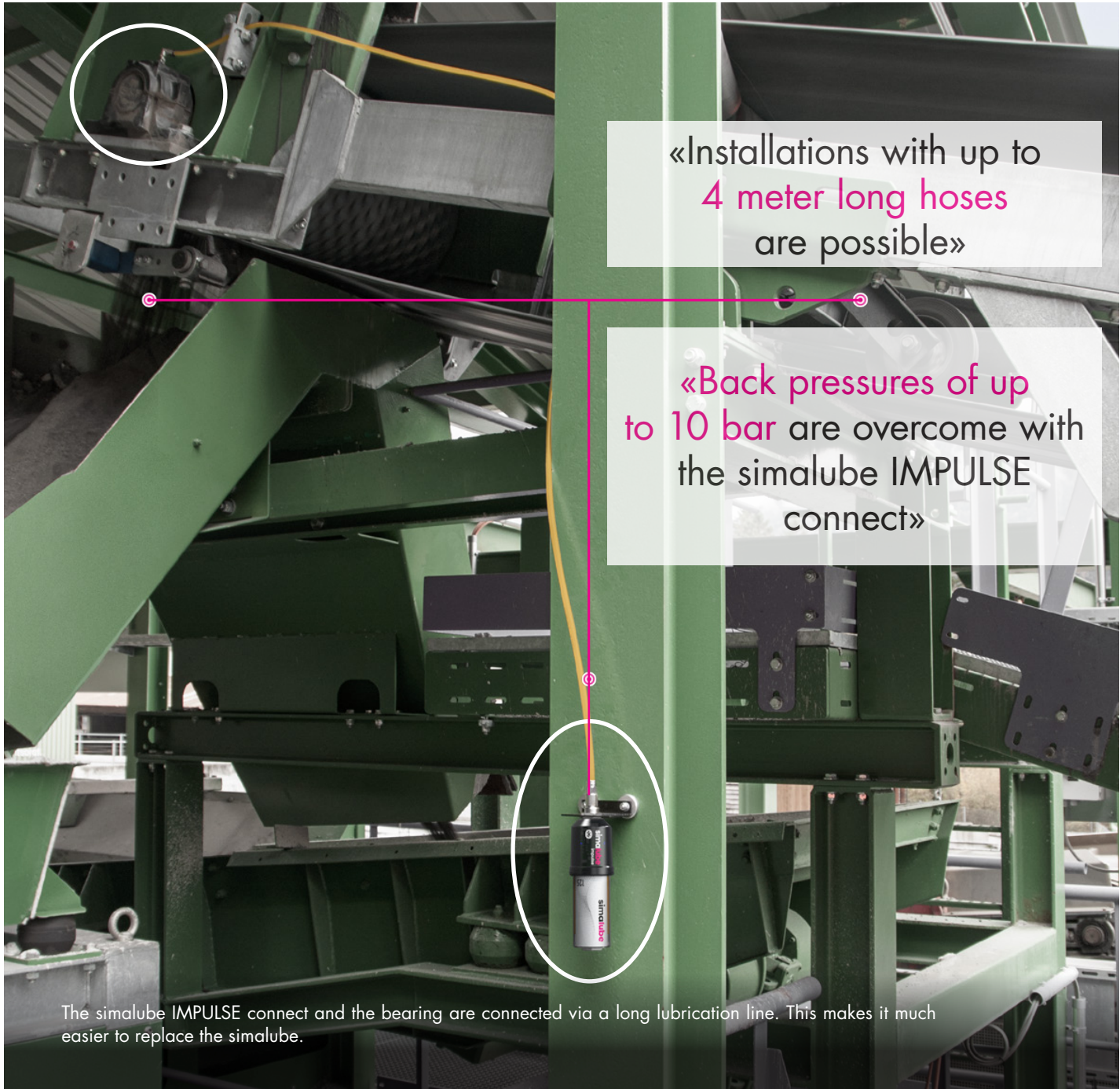
The lubrication points are at a dangerous height. They can be controlled conveniently from the ground with the simatec app.



The lubricant is fed to the lubrication point via a long line. A mounting bracket with two magnets fixes the simalube IMPULSE connect to the machine.



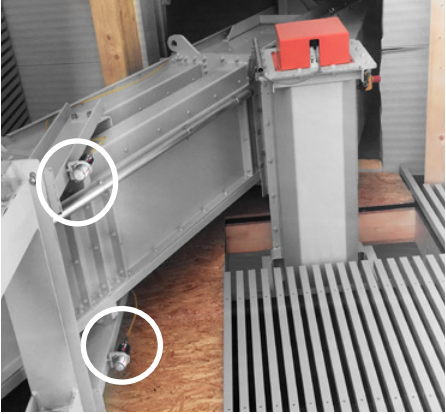
In a quarry, two simalube IMPULSE connect pressure boosters effortlessly overcome the counter-pressure of two bearings. These were also included in the simalube lubrication plan «Lubechart» via the simatec app.



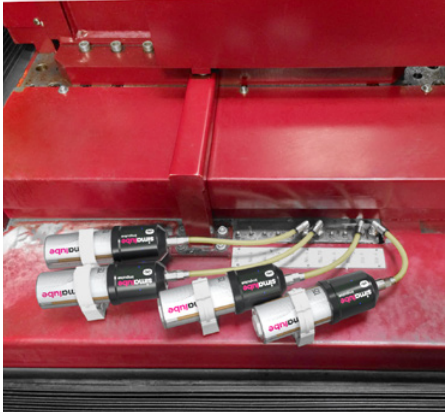
«Installations with up to 4 meter long hoses are possible»

«Back pressures of up to 10 bar are overcome with the simalube IMPULSE connect»

The simalube IMPULSE connect and the bearing are connected via a long lubrication line. This makes it much easier to replace the simalube.



In a sawmill, the bearings of a chain conveyor are at an inaccessible height. These can be conveniently monitored thanks to the Bluetooth® connection to the simalube IMPULSE connect.



Four simalube IMPULSE connect pressure boosters lubricate the linear guides of a CNC machine by means of hose connections. Each IMPULSE can be controlled and configured individually with the simatec app.



Due to permanently installed lubrication lines on a pool cleaner, two simalube IMPULSE connect are used. They overcome the back pressure and ensure continuous lubrication.



Advantages and applications

Advantages of the simalube IMPULSE connect pressure booster

- Can be installed outside of high-temperature or hazardous areas with tubes up to 4 meters long
- Lubrication impulses of 0.5 ml of oil or grease up to NLGI 2 at a pressure of up to 10 bar
- Indication of operating condition via flashing LED status display (green/red/blue)
- Modular system, fully compatible with 60, 125 and 250 ml simalube lubricators
- The lubricator can be replaced without removing the simalube IMPULSE connect
- Gentle on all lubricants, as only the dosing quantity is under pressure
- The compact format means it can be installed in very small spaces
- Functions perfectly in all positions
- High cost savings thanks to reusability

Your benefits with simalube IMPULSE connect

- Cost savings through faster, easier and safer inspection rounds
- Easier monitoring, clear and comprehensive display of the current operating status
- Management of lubrication points in Lubechart
- Digital support through the app: user guidance in the form of animated installation and operating instructions
- Less wear and tear on the components thanks to continuous lubrication; in time mode, temperature-independent
- No production interruptions for maintenance and monitoring purposes, this results in a higher availability of the production systems
- Temperature-independent grease supply to the lubrication points thanks to the option of operating the IMPULSE connect in «time-controlled» mode

Target groups by industry

- Steel industry
- Cardboard and paper industry
- Food industry
- Gravel, cement, concrete and surfacing plants
- Recycling plants
- Timber industry
- Energy production
- Automotive industry
- General mechanical engineering
- Water and wastewater industry
- Shipping
- Chemical plants



Click on the image for more information:



We will gladly inform you about the use of simalube products in applications with long lubrication lines or high back pressure.

Our highly-qualified specialists have an in-depth technical knowledge and will show you how automatic lubrication can reduce costs and extend the service life of your machines.

flexilube Ltd

Holly Farm Business Park
Honiley
Kenilworth
Warks
CV8 1NP
T: 01676 540688
E: sales@flexilube.co.uk
W: www.simalube.co.uk

flexilube
smart lubrication