

simalube – the automatic single-point lubricator

Technical information for elevators and escalators



simalube

 SWISS MADE



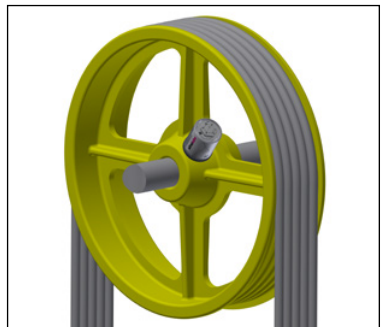
simalube provides constant lubrication, extends product life and cuts maintenance costs.

Elevator lubrication with simalube

The guide rails on elevators need to be permanently lubricated in order to prevent dry friction. By dispensing precisely the right amount of lubricant, the simalube lubrication system reduces the need for maintenance and cleaning work on the elevator cabin and shaft. It is therefore also a particularly good system to use on maintenance-intensive elevators installed on the outside of buildings and on panoramic elevators.

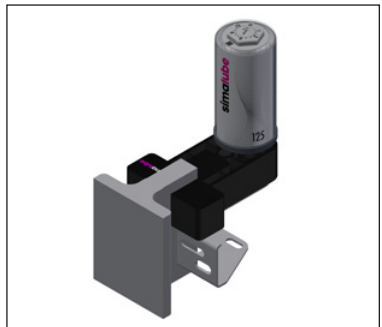
Diverter Pulley

The simalube lubricator is used for lubricating the bearing of the diverter pulley. The lubricator is mounted directly on the grease point of the pulley.



Guide rail

The simalube lubrication system is the optimal solution for the guide rail. It protects the rail with a constant film of oil and cleans it at the same time. The simalube elevator brush set is fixed directly to the elevator roof or the guide rail shoe.



Elevator ropes

The elevator ropes can easily be lubricated with the simalube lubricator. Here, the simalube square brush continuously applies the lubricant to the ropes and cleans it simultaneously.





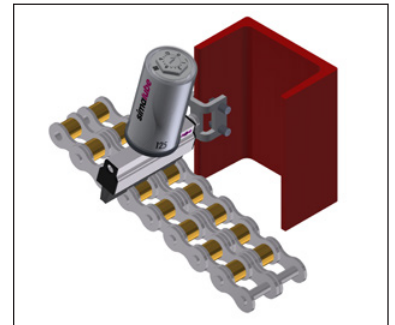
simalube offers lubrication systems for every type of escalator.

Escalator lubrication with simalube

Escalators that are in permanent use often begin to squeak. To avoid this, optimal lubrication of the equipment is required. simalube lubricates drive chains, step chains and step guides automatically, continuously and economically. The simple installation process, the fully adjustable dispensing period and the pinpoint lubrication accuracy make simalube an indispensable system for escalators and moving walkways.

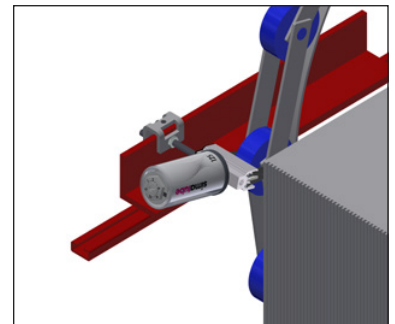
Drive chain

The simalube dispensing unit oils the chain continuously; the brush set is fixed directly to the U-profile.



Escalator chain

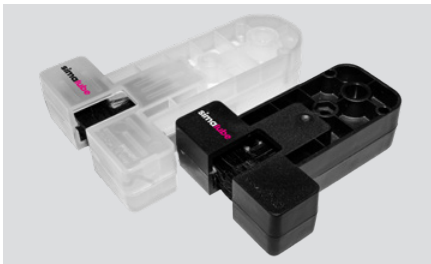
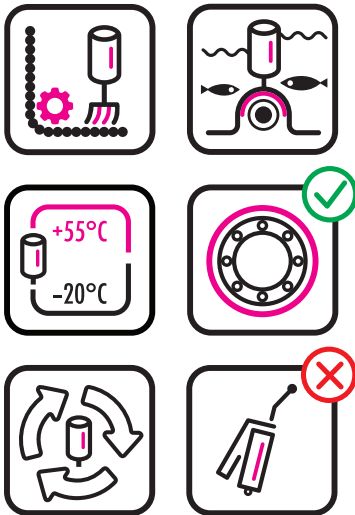
The brush lubricates the chain links on both sides; the plastic rollers are only slightly dampened.



Escalator step guides

The lubrication system comprises a short brush, a mounting kit and a lubricator and is suitable for use with Schindler escalators. The system is fixed directly to the step.





Elevator brush set for the lubrication of guide rails for widths of 5 to 16mm and depths up to 25 mm.



Applications and advantages

simalube applications for elevators, escalators and moving walkways:

- Guide rails
- Diverter pulley
- Drive chains
- Traction cables
- Escalator step guides
- Step chains

Benefits of the simalube lubrication system:

The easy-to-use simalube lubrication systems guarantee optimal care of elevators and escalators. These special lubrication systems are exceptionally reliable and efficient. Assembly sets are available for retrofitting elevators and escalators made by the best-known manufacturers.

Further benefits:

- Reduction of service requirements and maintenance costs
- No more oil spillage or splashes
- Simple to retrofit existing installations
- Improved occupational safety (no risk of slipping on excess oil)
- Constant application of lubricant
- Stepless setting of lubricant dispensing time from one month to one year
- Refillable oil lubricator

Specific benefits for elevators:

- Reliable lubrication of guide rails and traction cables
- Elevator runs quietly
- Containers to catch excess oil no longer required

Specific benefits for escalators and moving walkways:

- Reliable lubrication of escalator guide rollers, drive chains and step chains
- Silent operation without unpleasant squeaking noises
- Optimally lubricated guides prevent any build-up of electrostatic charge or sparking



If you have any questions about how to use simalube products in elevators and escalators, we will be pleased to advise you further.

Our experts are highly qualified in their field and can show you how to cut costs and extend the life of your equipment with automated lubrication.

flexilube Ltd

Holly Farm Business Park
Honiley
Kenilworth
Warks
CV8 1NP
T: 01676 540688
E: sales@flexilube.co.uk
W: www.simalube.co.uk

flexilube
smart lubrication