




SL00194

PLEASE RETAIN THE FOLLOWING INSTRUCTIONS WHICH ARE PROVIDED FOR YOUR SAFETY

SL00194

Approximate Assembly Time(20 mins)

Safety Guidance and Information

- a. This product should be installed in accordance with the current UK IEE wiring regulation and UK building regulations.
- b. If in doubt, always consult a competent qualified electrician.
- c. To reduce further risk never attempt to install a light fitting without familiarising yourself with the product.
- d. This product is not suitable for outdoors  on any locations where there is the risk of contact with water or humidity (e.g. bathrooms)

Isolation of electrical supply

- a. Always isolate the electricity supply before carrying out any electrical installations or maintenance.
- b. Identify the correct miniature circuit breaker at the consumer unit/Fuse Box (MCB)
- c. Isolate the electrical supply with an appropriate lockable device to prevent anyone from re-energising the circuit.
- d. Place a warning notice to indicate someone is working on the electrical circuit.


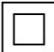
Electrical Testing

- a. If the light fitting is fitted with a LED, CFL Bulb(Compact Fluorescent Light), do not carry out an Insulation Resistance Test (Megger).

Installation

- a. Always use the correct fixing for the purpose of the installation, ensuring that the weight of the product is appropriate for the fixings chosen.
- b. Some heavy items may require additional support - if in doubt, please seek specialist advice.
- c. To avoid unnecessary damage to the existing cable, confirm the positioning/direction of the cables prior to installation of the light fitting.
- d. The light fitting should not be modified. **Any modification to the fitting will invalidate the warranty and may create an unsafe product.**
- e. Always seek additional help if the product is difficult to handle due to its size, and/or use appropriate lifting equipment if the product is too heavy to handle.

Safety Guidance for Class I and II Products

- a. A Class I product is indicated by the following symbol . Class I products must have their chassis connected to the earth terminal block and must be protected by an appropriately sized fuse or miniature circuit breaker.
- b. Safety Guidance for Class II Product, A Class II or **double insulated** product is indicated by this symbol , does **NOT** require a safety connection to electrical earth (ground).

Maintenance and care

- a. When changing the bulbs, please turn the light fitting off and allow the bulb to cool down for 10-15minutes.
- b. **Always** use protective gloves when removing or installing bulbs.
- c. **Always** use the correct type and wattage of lamp (bulb) as indicated on the product.
- d. **Never** exceed the wattage stated as this can cause overheating to the holder-over time this will affect the holder which may be deemed unsafe to use.
- e. **Special disposal** is required for some bulbs e.g. (CFL-compact fluorescent light), whilst other bulbs can be recycled.
- f. In order to support the environment, recyclable bulbs should **always** be disposed of at your local recycling centre.
- g. Clean product with a soft dry cloth only. **DO NOT USE abrasive cleaners on this product.**

ASSEMBLY INSTRUCTION

- Please read all instructions carefully before commencing installation of this product and retain these instructions for future reference.
- Ensure you have all the required parts (please see Appendix 1) and tools to carry out the installation.



Assembly and User Instructions

(Please refer to appendix 1)

The following instructions and diagrams are provided as a guide only - if you are unsure about any element of the installation guidance provided, please consult a competent and qualified electrician.

Please make sure you follow every step in the Assembly/User Instructions, in the order provided:

Assembly and User Instructions

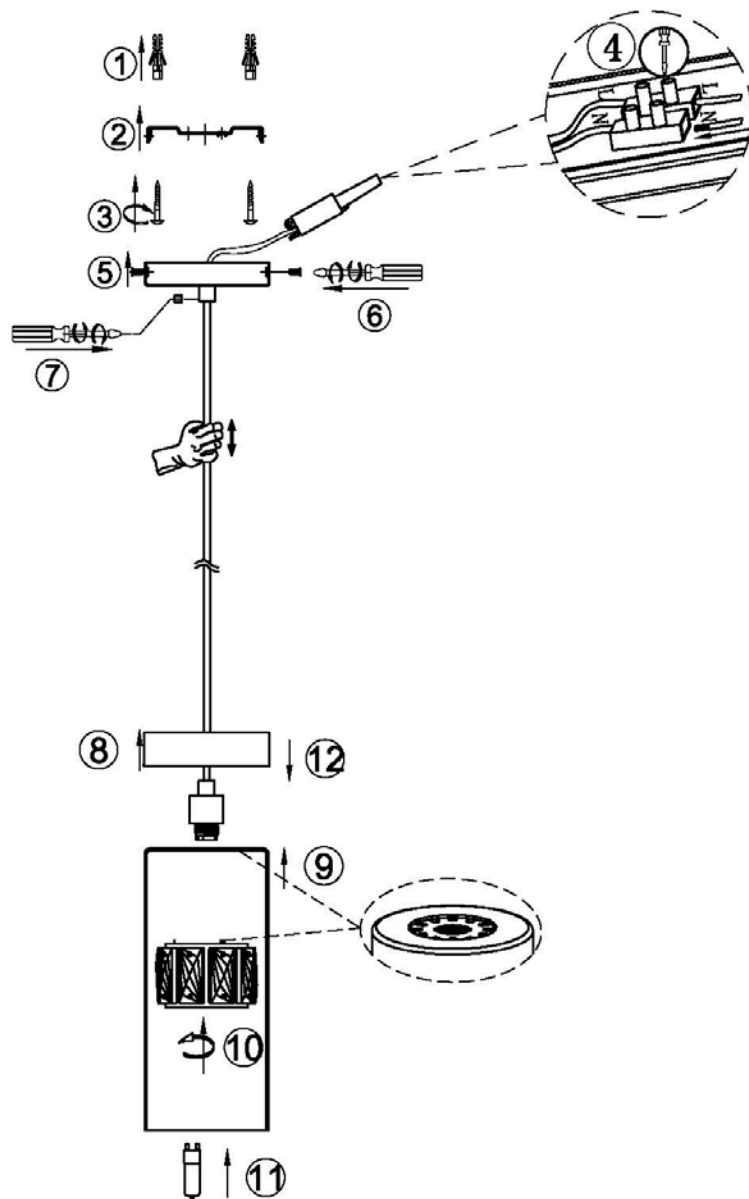
- 1) Open the carton using a blunt object to avoid damage to the product
 - 2) Ensure you have the right components and parts (refer to Appendix 1) and the appropriate tools to complete the installation.
 - 3) **Turn off the electrical supply** to the relevant circuit at the consumer unit with a lockable device to ensure the circuit cannot be switched back on whilst you are installing the product.
 - 4) Take note of where all the wires are currently terminated.
 - If there is a loop cable you may want to connect this into a junction box or push connector (not supplied) and provide a switched live cable to the light fitting.
 - 5) Making necessary height adjustments to the light fitting
 - Any height adjustments must be carried out prior to the installation. You will not be able to adjust the height once the product has been installed.
 - You can make the height adjustment to the chain link using two pliers. It is recommended that a rubber mount/tape is used on the teeth of the pliers to prevent unnecessary marks/scratches to the fitting
 - 6) Confirm the position of the light fitting.
 - 7) Remove bracket from the base of the fitting and retain the screws for re-use.
 - 8) Using a pencil, mark where the fitting will be mounted – it is recommended that you mark where the screws will be positioned. It is important to note that some brackets will determine the direction of the light fitting.
 - 9) Ensure that the appropriate fixing is used – for example, cavity raw plugs should be used for plasterboard ceiling, or, for a solid mount, a wooden joist or a joist bridge would always be the preferred solution. If in doubt, always seek professional guidance.
 - 10) Mount the bracket to the ceiling, making any adjustments as required.
 - 11) Use a small flat screwdriver to open the lid of the junction box and insert the electrical cable into the rubber grommet.
 - 12) Connect the electrical cable to the connector in the junction box provided,
 - 13) Ensure that the weight of the light fitting is supported by the chain provided, if applicable.
 - If the product is supplied with a chain link or steel wire, please pay extra attention to ensuring that the weight is supported by the chain link or steel wire – **not by the electrical cable**. You can separate the links by pulling each link towards you.
 - 14) Ensure that all connections are tight – including that of the manufacture connections.
 - The brown/red cable should be connected to L (Line Conductor)
 - The blue/black cable should be connected to N (Neutral Conductor)
 - the Green-Yellow cable should be connected to  (Earth/ground)
- Please note:** Class II fitting  should not be connected to the Earth terminal.
- A push in terminal block or connector block should be used to terminate the Earth cable and protected accordingly, so that the cable is not exposed to any conductive part of the light fitting.
- 15) Secure the ceiling base over the bracket with the screws provided, ensuring that no wires are trapped.

- 16) Fit the required light bulb as stated on the fitting
 - The wattage must NOT exceed the manufactures recommendation.
- 17) Once mounted, re-energise the circuit and test the light fitting.

GENERAL INFORMATION

- a. Electronic Ballast or LED drivers are not suitable for dimming - unless stated otherwise.
- b. Transformers.
 - Some transformers can make a buzzing sound – this is normal when dimming.
 - Louder buzzing sounds -please note that this can be due to an incorrect dimmer being used or bulb type.
 - Incorrect dimmer switches can result in damage to the transformer, bulbs and dimmer modular.
 - Transformers are only stable when used with a trailing edge dimmer.
 - Always read the manufacturer’s specification for further information.
- c. G4/9 bulbs, Halogen, CFL (compact fluorescent light) and Filament/Maintenance.
 - **DO NOT TOUCH THE BULBS WITH YOURBARE HANDS - ALLOW TO COOL DOWN BEFORE REMOVING.**
 - LED, CFL and G4 bulbs are not suitable for dimming - unless stated on the product otherwise.
 - G9 bulbs are supplied with an outer plastic – please do not remove before installation.
 - Make sure the light fitting is **turned off**
 - Slide the bulb out of the outer packaging, exposing the contact pin.
 - Fit the bulb to the light fitting and remove the plastic covering.

Appendix 1



FEATURE

- 220-240V~50Hz
- Lamp Type: G9 1×MAX 28W

The lamp can be only indoor used.

If in doubt, consult a qualified electrician or contact your retail outlet.

Ensure that you always install the fitting to the relevant regulations.

Certain regulations indicate that lighting fittings should be installed by a qualified electrician.