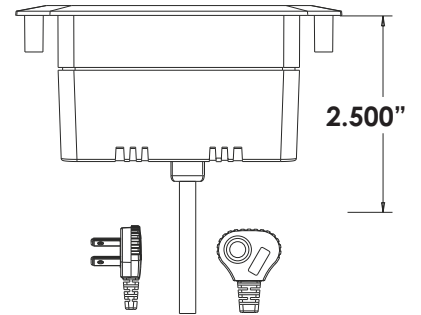
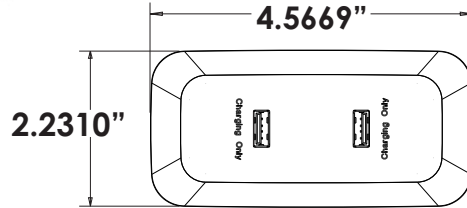


MANUFACTURERS OF LIGHTING & ELECTRICAL CORDSETS

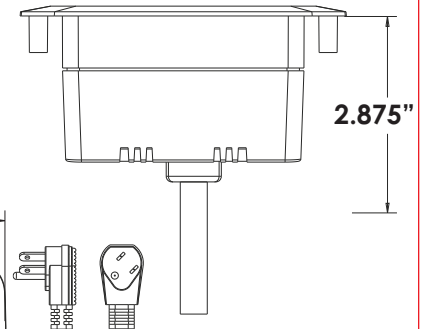
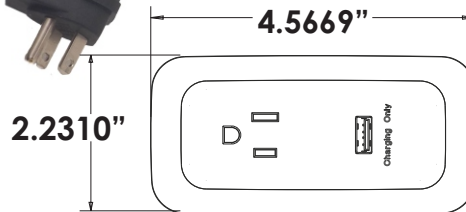
Suppliers To The Furniture & Related Industries
www.furnlite.com

REMIT TO:
 PO BOX 775979
 CHICAGO, IL 60677-5979

FC-750 BLACK CORDSET, 10' #18-2 BLACK WIRE, FACE PLATE WITH TWO 2.4 AMP TYPE "A" CHARGING USB PORTS, UL & cUL LISTED.



FC-751 BLACK CORDSET, 10' #14-3 BLACK RIGHT ANGLE WIRE, FACE PLATE WITH ONE TAMPER RESISTANT OUTLET, ONE 2.4 AMP TYPE "A" CHARGING USB PORT, UL & cUL LISTED.



FC-752 BLACK CORDSET, 10' #14-3 BLACK RIGHT ANGLE WIRE, FACE PLATE WITH TWO TAMPER RESISTANT OUTLETS, UL & cUL LISTED.

