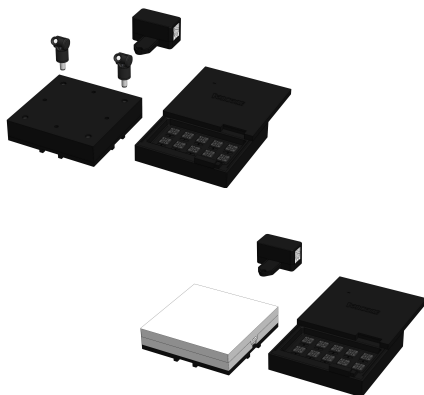
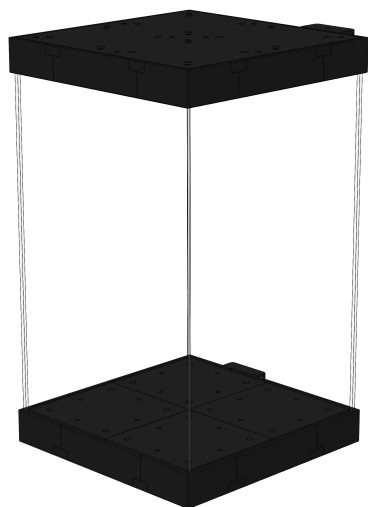


ディスプレイを
 DISPLAY
 たのしむ
 PLAY
 FORCOLLE

ディスプレイ®

Instruction Manual



Contents

Safety Precautions	-----	1
About Warranty	-----	6
About "DISPLE"	-----	7
What is "DISPLE"?	-----	7
Base Module	-----	8
Control Box	-----	9
Control Box Lighting effect pattern	----	10
Names of Parts	-----	11
Starter Kit (Plug-in module)	-----	11
Starter Kit (Surface module)	-----	11
Base Module + Control Box	-----	12
Standard Set	-----	13
Method of Parts Assembling	-----	14
Base Module	-----	14
Frame Parts	-----	15
Acrylic Board	-----	16
Wiring	-----	17
How to Use (procedure for lighting effects)	---	18
Product Specification	-----	19
Troubleshooting	-----	21
Contact Us	-----	21

FORCOLLE

すべてのコレクターのために。

for all the collectors



Safety Precautions

Please read these safety precautions carefully before use and use your product correctly.

Please always keep this manual even after reading.

These safety precautions describe items that are required to protect you and other people from being harmed or damaged by using this product. Please fully observe safety precautions.

- Each item is divided into the following categories

 WARNING	if you handle it incorrectly, there's a possibility of death or serious injury※1
 CAUTION	if you handle it incorrectly, there's a possibility of injury ※2 or property damage※3

※1 Serious injury

those that have aftereffects such as blindness, injury, burns, electric shock, fracture, poisoning, etc., and those requiring hospitalization or long-term hospitalization for treatment.



※2 Injury

those that have aftereffects such as injury, burns, electric shock, etc., that require no hospitalization or long-term hospitalization for treatment.

※3 Property damage

expanded damage concerning houses, household goods, livestock and pets.

- The meanings of the graphic symbols are as follows

 PROHIBITION	things that you should not do (things prohibited)
 INSTRUCTION	things that you should follow to do (compulsory)

Safety Precautions



WARNING

If you handle it incorrectly, there's a possibility of death or serious injury.



Please do not disassemble, modify this product, or repair it by yourself. If not, it may cause electric shock, injury or malfunction.



Please do not use this product in wet places where there is a danger of getting wet.

Use in the bathroom, shower room, or outdoor etc. may cause a fire, electric shock or malfunction.



Please note the followings when using the AC adapter. If not, it may cause a fire, electric shock or malfunction.

- Please use the AC adapter dedicated to this product.
If you use other AC adapter, it will cause malfunction.
- Please do not put things on the AC adapter, do not cover it, or hang it. If not, there's a possibility of getting high temperature which is very dangerous.
- Please use the AC adapter with a household power supply.
- Please do not process, forcibly bend, twist or pull the cables.
- When unplugging the AC adapter from the outlet, always hold the adapter and pull it out. If you pull the cables, it may be the cause of disconnection or short circuit, and it may cause a fire or electric shock.
- Confirm that the dust is not attached to the AC adapter, and plug it into the outlet firmly up to the root. If dust or the like is attached, it might be the cause of a fire.



Please be aware of accidental ingestion. This product includes small parts. If small children accidentally swallow such small parts, there's a danger of suffocation.

Please keep the product and the small parts out of reach of children.



When assembling this product, make sure to turn off the product switch and remove the AC adapter from the outlet. If not, it might be the cause of a fire or electric shock.

Safety Precautions



WARNING

If you handle it incorrectly, there's a possibility of death or serious injury.



If there appears a smoke or a strange smell, turn off the power immediately and unplug the AC adapter from the outlet, and contact us.

If you continue to use it as it is, it will cause an electric shock, fire or injury.



Please do not place this product in the following places, in order to avoid a fire or electric shock, injury or malfunction.

- Places exposed to direct sunshine
- Places where the temperature becomes high such as near the heating appliances
- Places with high humidity and dust
- Places where the temperature difference is high
- In a corrosive gas atmosphere (C1, H2S, NH3, SO2, NOx, etc.)
- Where infants and pets can reach
- Places subject to vibration and impact
- Inclined places
- Close to objects generating strong magnetic force and radio waves.



CAUTION

If you handle it incorrectly, there's a possibility of injury or property damage.



When assembling, please make sure to use precision screwdriver etc. Please do not use electric screwdriver.

If not, the product may be damaged because it is made of plastic resin.



Please do not touch the connector end part directly by hand.

If not, static electricity may flow and parts may be destroyed.



Please be careful not to put foreign objects such as liquid and metal inside the product.

If not, it may cause a short circuit, fire or malfunction.

Safety Precautions



CAUTION

If you handle it incorrectly, there's a possibility of injury or property damage.



This product is a precision part. Please do not drop, apply shock or unreasonable power.

If not, it may cause a damage or breakdown.



The LED radiates heat. Please do not touch it directly with your hand.

Please be careful of burns while it is lit and immediately after turned off.

Please do not look directly on the lit LED for a long time.

If not, it may adversely affect your eyes



Depending on the stimulation of the LED light, you may rarely get sick.



Due to light emission effect pattern repeating blinking or other light stimulus, symptoms such as eye pain, vision abnormality, migraine, seizures and syncope may rarely occur.

If you feel uncomfortable or painful in some of your spirit and body, immediately stop using the product.

Maintenance

When cleaning this product, please turn off the power for safety, and note the following.

● Modules

Please wipe with a dry cloth of soft material such as microfiber cloth. Wiping with a highly volatile chemical such as thinner, benzene, or alcohol may cause the product to be damaged or distorted. Please use a dry cotton swab etc. to remove deposits from the terminal end.

● Acrylic Board

Please wipe with a neutral detergent (1 to 2% water solution) and lukewarm water using a soft cloth such as microfiber cloth. If wiped with a volatile chemical such as glass cleaner, thinner, benzene, alcohol, etc., fine cracks may enter or the color may change.

About disposal of this product

When disposing of this product, please follow the local ordinance of your specific country of residence.

About this product and this manual

- 1) This product and this manual are copyrights of NAITO Inc. Therefore, reproduction, copying, reprinting, alteration of this product and the whole or part of this manual, without permission, is prohibited by law.
- 2) This product is subject to change in specification without notice.
- 3) We are not responsible for any loss caused by use of this product deviating from the specification (rating) and precautions described in this manual.
- 4) This product is designed only for use in Japan. If this product is used outside of Japan, we shall not be responsible for any loss, damages and troubles.
 - * The AC adapter included in the Control Box Set is compatible with a power supply of 100V to 240V, but the shape of the AC plug is for Japan domestic use (A type). Therefore, when using outside of Japan, it is necessary to prepare a power conversion plug for the specific countries. For overseas power supply conversion plug, operation check has not been carried out by us, and operation guarantee is not available.

About Warranty

- 1) If your product is broken within the warranty period under the correct usage in accordance with the contents of the warranty provision, we will exchange it with the same product or equivalent.
- 2) The warranty period is 3 months from the date of purchase described in the "Invoice".
- 3) If your product is broken when in use and you want a replacement, please contact us.
- 4) Please note, however, it is out of warranty in the following cases.
 - ① When the warranty period has elapsed from the date of purchase
 - ② Misuse, disassembly, remodeling, damage due to repair by yourself
 - ③ Breakdown and damage due to unavoidable forces such as fire, earthquake, flood etc.
 - ④ If the cause of the failure is due to other product than this product.
 - ⑤ General failure or damage when used for general use other than home use (e.g. business use)
- 5) Your returned product will be our possession.
- 6) We will make it out of range of warranty for incidental damage resulting from the use or failure of this product.
- 7) This warranty provision is effective only in Japan.

About "DISPLE"

What is "DISPLE" ?

"DISPLE" is a new idea display case that can be assembled quite easily according to the size of your collections, with a module structure in 100mm X 100mm base module as the smallest unit. As the base modules, we have made "plug-in module" that can take power from the electrode jack and "surface module" that glows with surface light emission of the LEDs. These base modules can be connected by an arbitrary combination irrespective of the floor surface/ceiling surface, and by controlling from the control box, lighting effect can be easily enjoyed. It is just right size for not-to-scale mini figures and 1/12 figures, and you can also enjoy playing with the base module alone by combining with the control box.



The size can freely be extended !

You can extend the size freely by adding a base module without increasing the display case with different sizes even when items increase, such as mini figures and collections of series items. Lighting effects on such as figures and large plastic models and magnificent diorama directing are also possible.



LED lighting effect pattern can be added !

You can place an effect module such as a spot light type LED light on a plug-in module.

In addition, it is possible to illuminate with surface brightness of the surface module in sufficient brightness, and nine patterns of lighting effects for each base module from the control box is possible.



Easy and free combination ! Product line-up added one after another !

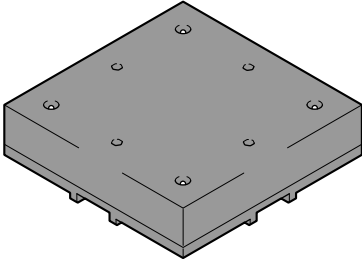
The modular display case "DISPLE" can be composed not only of size but also ceiling surface/floor surface with your favorite base module.

By combining performance modules such as "One Touch LED Connector" which can be powered directly from the plug-in module to the mini LED, and "Shimmering Module" and "Turntable Module" driven by the motor, which will be added in our product lineup in the future, will also expand enjoyment of the display.

About "DISPLE"

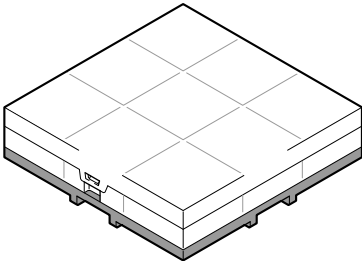
Base Module

Plug-in Module



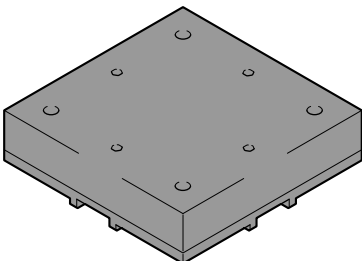
It is a module that can take power supply from the electrode jacks placed at four corners. You can turn on the specifically designed spot light simply by inserting it to the electrode jack. Also, if you use "One Touch LED Connector" (tentative name) which can aggregate LEDs etc. to be released in the future, power can be supplied directly to the LEDs embedded in the model.

Surface Module



It is a module that emits light with 9 LEDs inside. It glows with sufficient brightness even by a single unit, and the variation of lighting effect will also expand by setting a control box.

Blank Module



It is a module with electronic board removed from the plug-in module. Please use it for substituting plug-in module for size expansion.

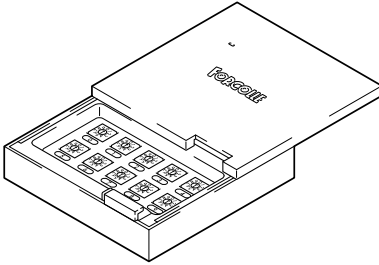
* Since an electronic board is not included, it cannot be used as a power distribution.

About "DISPLE"

Control Box

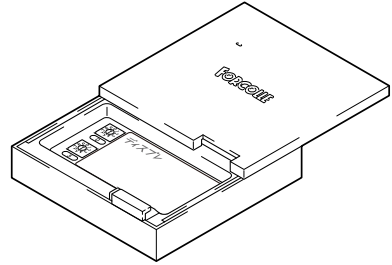
Control Box SE

- Up to 10 lines can be controlled
- With a sound sensing function



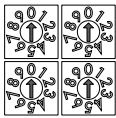
Control Box LE

- Up to 2 lines can be controlled

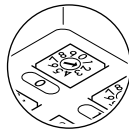


It is a control box that controls the lighting effects, which can be said as the "brain" of "DISPLE". In addition to supplying power to the base module, you can control the base modules connected by joint parts with nine patterns of lighting effects. Direction of lighting like stage lighting can also be done easily. With "SE" built-in sound collection microphone, it is also possible to produce lighting responsive to sounds flowing around. A single control box can supply power up to 24 base modules. You can control the base module set to the same ID number as the ID number of the Control Box SE with the rotary switch of the Control Box SE.

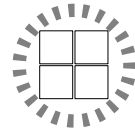
For example :



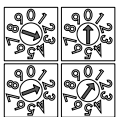
Four base modules connected
Set all the ID numbers to (0)



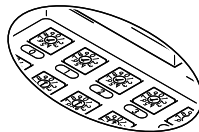
Set pattern number (2) to ID
number (0) of control box



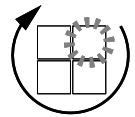
Four base modules
simultaneously flashing



Four base modules connected
Set the ID number to (0), (1),
(2), (3) respectively



Set pattern number (6) to control
box ID numbers
(0), (1), (2), (3)



Four base modules
blinking loop in ID order

*As for each name, refer to the Names of Parts (control part), and for the procedure of operation, see How to Use.

About "DISPLE"

Control Box SE Lighting effect pattern

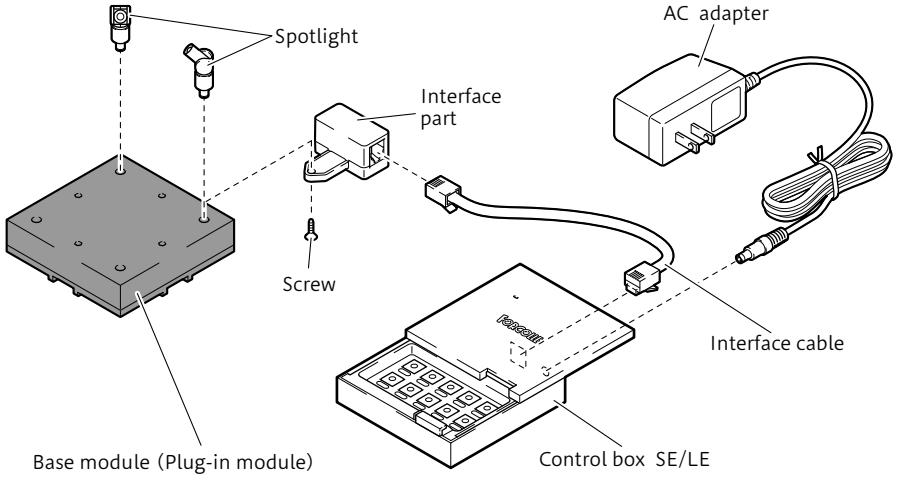
0. OFF
1. Lit : Continues to light up.
2. Blinking : Repeats lighting on and off at fixed intervals.
3. Shimmering : Brightness of the lighting changes continuously, giving effects of shimmering.
4. Dimming (adjusted) : Brightness of the lighting changes stepwise.
5. Dimming (fixed) : You can fix the brightness of the lighting 4. Set it to 5 when it reaches to the brightness level you like.
6. ID lighting (loop) : Repeats blinking in the order of the ID (number) set in the base module.
7. ID lighting (reverse) : Blinking in reverse ID (number) is added to the pattern 6, and the round trip of lighting is directed.
8. Sound sensor 1 : Responds to surrounding sounds and music, and directs the light emission effect.
9. Sound sensor 2 : Same as the Sound sensor 1. There is a difference in microphone sensitivity.

Control Box LE Lighting effect pattern

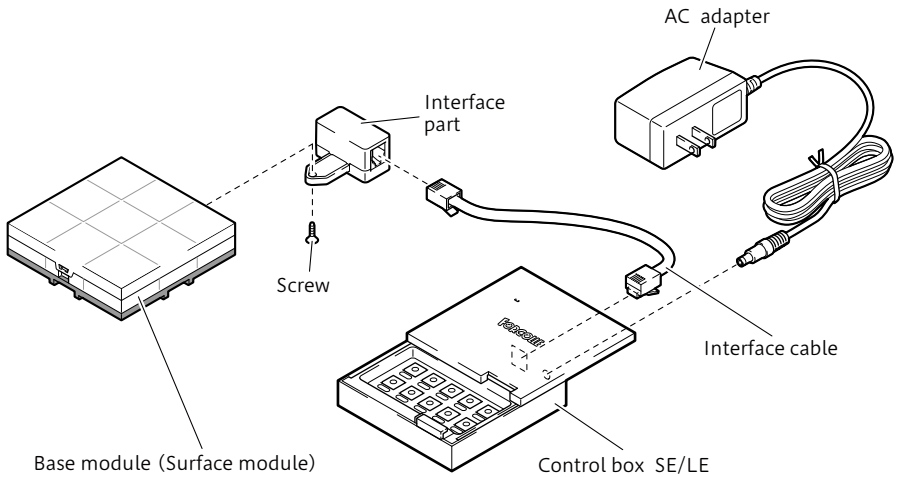
0. OFF
1. Lit : Continues to light up.
2. Blinking 1 : Repeats lighting on and off at fixed intervals (long).
3. Blinking 2 : Repeats lighting on and off at fixed intervals (short).
4. Dimming (adjusted) : Brightness of the light changes stepwise.
5. Dimming (fixed) : You can fix the brightness of the lighting 4. Set it to 5 when it reaches to the brightness level you like.
6. Shimmering : Brightness of the lighting changes continuously, giving effects of shimmering.
7. Blinking 1 (alternately flashing) : Blinks at fixed intervals (long) alternately with the module set at 2.
8. Blinking 2 (alternately flashing) : Blinks at fixed intervals (long) alternately with the module set at 3.
9. Dimming (alternately flashing) : Brightness changes stepwise alternately with the module set at 4.

Names of Parts

Starter Kit (Plug-in Module)



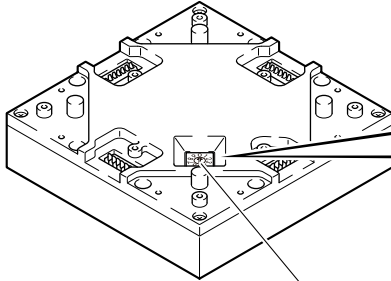
Starter Kit (Surface Module)



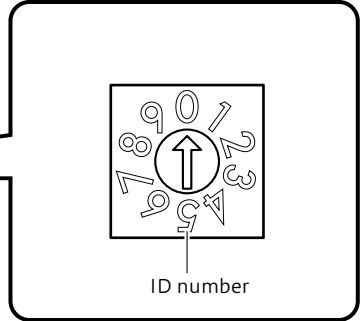
Names of Parts

Base Module, Control box SE/LE

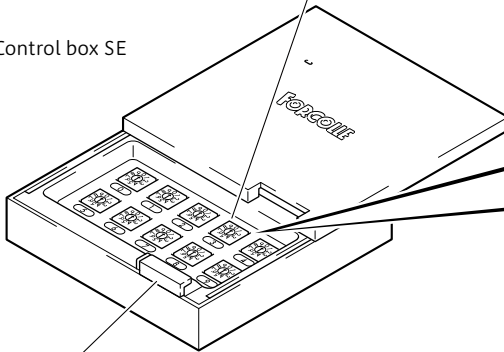
each base module (reverse side)



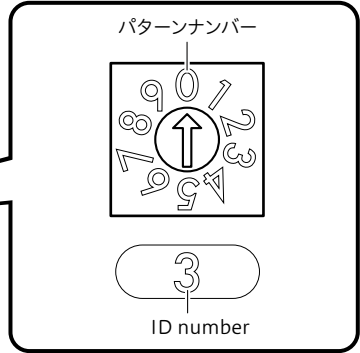
Rotary switch



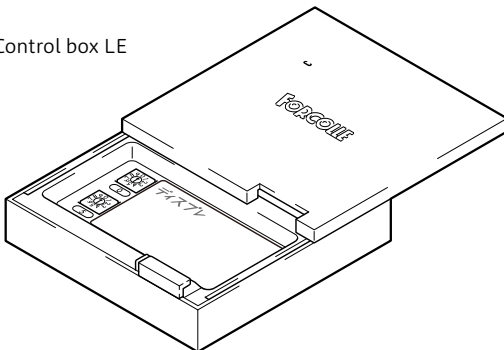
Control box SE



Power switch



Control box LE



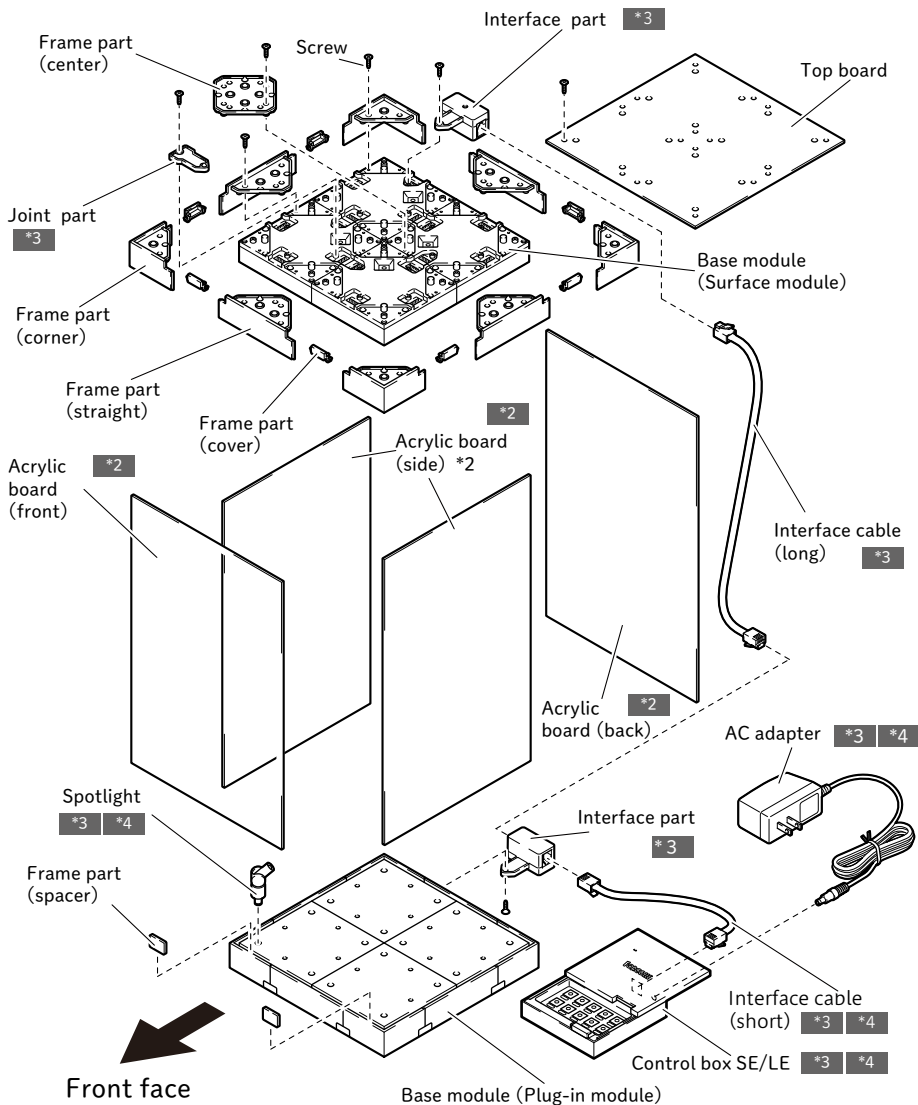
*same as Control box SE

Names of Parts

Standard Set

(e.g.: D202030S-PS)

* The contents of the set changes according to the selected module configuration.
 * The figure below is a combination example of the top surface, surface module, floor surface and plug-in module ***1**



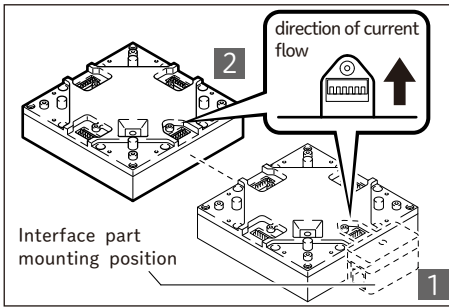
***1** The number of screws, joint parts and spotlights are omitted.

***2** Acrylic boards have different dimensions. (for front use, for side use, for back side).

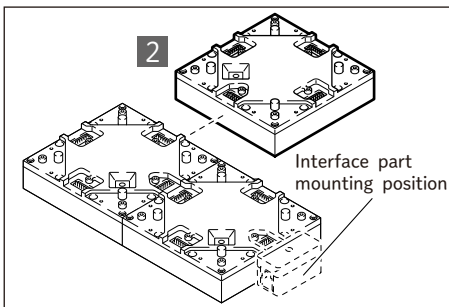
***3** It is a part for power distribution. It is unnecessary when assembling using a blank module.

***4** It is an optional part. Please purchase separately.

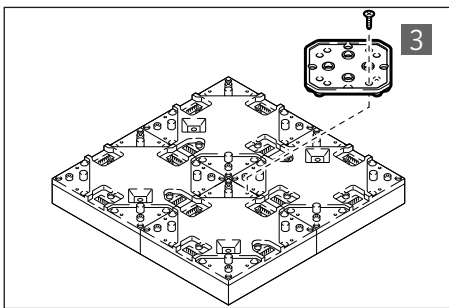
Method of Parts Assembling (Base Module)




1 In assembling this product, please prepare a Phillips screwdriver. Determine the interface part mounting position (the position where the electric signal is input)

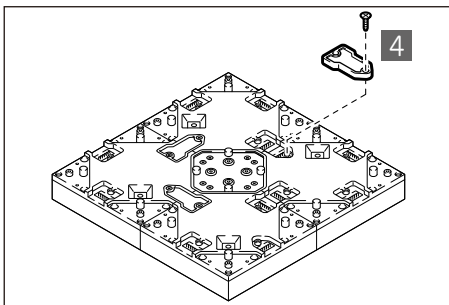


2 Place the base module while checking the direction of current flow. At this time, make sure that current flows through all the base modules connected starting from the interface part mounting position.




3 After placing the base module, secure the frame part (center) with a screw using a Phillips screwdriver.

 Use 8 screws to fix one frame part (center). Tighten them in diagonal order.



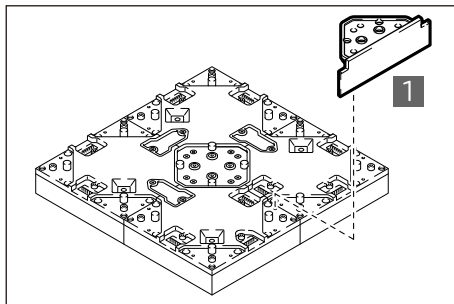
4 Use a Phillips screwdriver to fix the joint part between the modules with screws.

 Use two screws to fix one joint part.

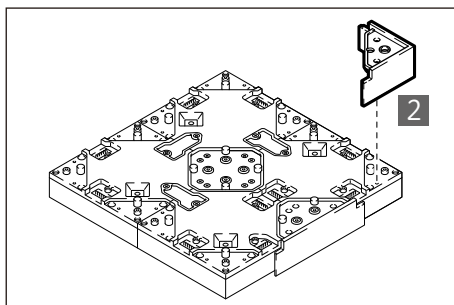
⚠ CAUTION	
	Please do not touch metal terminal end, do not wet it and put foreign objects inside. If not, it may cause a contact failure or malfunction.

※The figure is a combination example of 200 X 200 size base module.

Method of Parts Assembling (Frame Part)




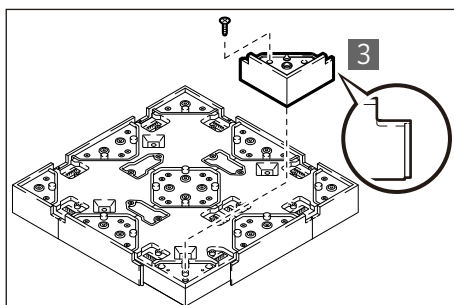
- 1 In assembling this product, please prepare a Phillips screwdriver. Fit the frame part (straight) into the assembled base module.




- 2 From each adjacent point, fit each frame part similarly so as to go around the base module.

- 3 Fit the claws of the last frame part (corner) side by side. Using a Phillips screwdriver, fix each frame part with screws.


 4 screws are used to fix one frame part.

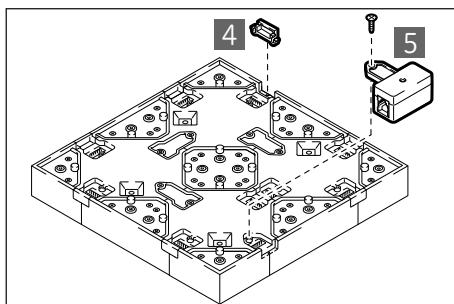



- 4 Fit the frame part (cover) into each recess.

 Excluding interface part mounting position.

- 5 Use a Phillips screwdriver to secure the interface part with a screw.

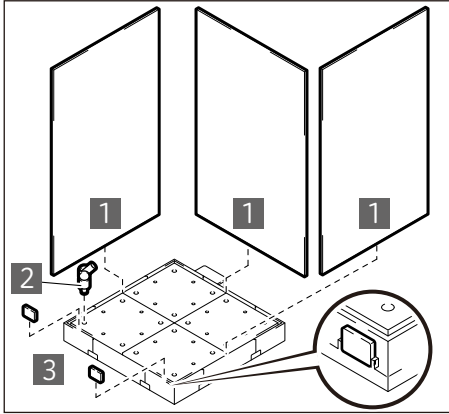
 One screw is used to fix one frame part.




⚠ CAUTION	
	Please do not touch metal terminal end, do not wet it and put foreign objects inside. If not, it may cause a contact failure or malfunction.

※The figure is a combination example of 200 X 200 size base module.

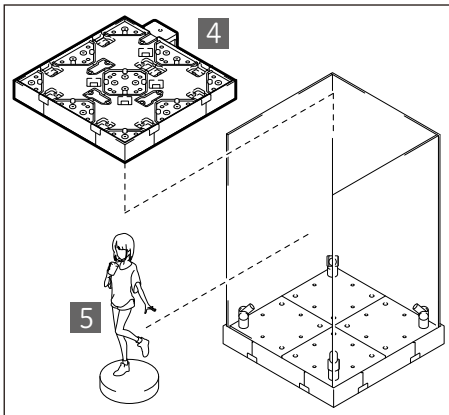
Method of Parts Assembling (Acrylic Board)



- 1 Fit the acrylic boards (for side, for back) into the base module that has already been assembled.

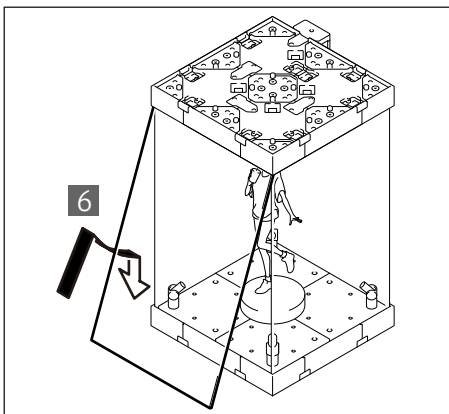
 Dimensions of acrylic boards are different for side use, back use and front use.

- 2 Attach optional parts such as spotlight to the electrode of the plug-in module.



- 3 Fit the frame part (spacer) as shown in the groove on the front side.

- 4 Fit the upper part base module on the top place.

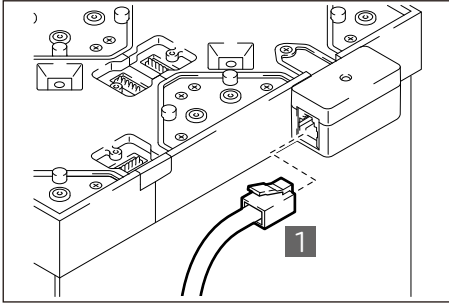


- 5 Enter the piece (exhibit) to be displayed.


- 6 Fit the acrylic board (for front side) in the order from the top to the bottom as shown.

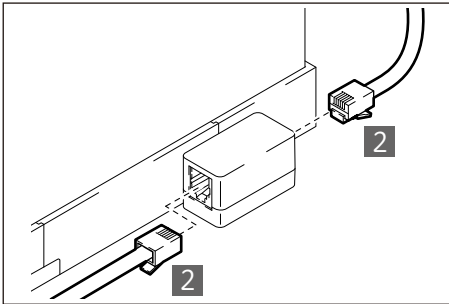
※The figure is a combination example of 200 X 200 size base module.

Method of Parts Assembling (Wiring)

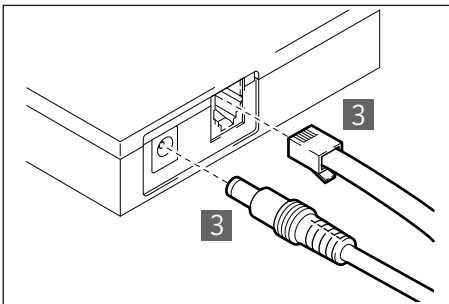


- 1 Connect the interface cable (long) to interface part on the top surface.


 Be sure to insert the connectors of each interface cable to the root until a click sound is heard.



- 2 Connect the interface cables (long and short) from the top surface to the interface part on the floor surface.



- 3 Connect the AC adapter cable and interface cable (short) respectively to the control box, and finally plug the AC adapter into the AC100V~240V outlet.

 Be sure to insert all the connectors firmly to the roots.

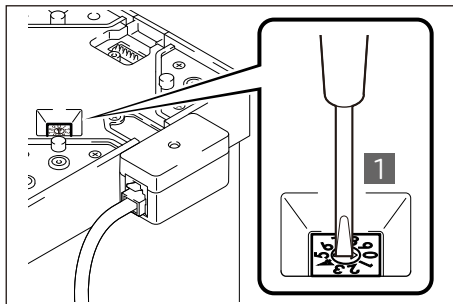
CAUTION



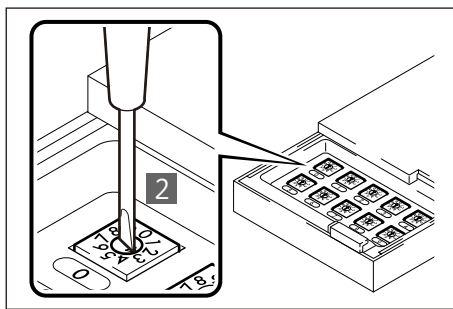
Please do not pull or twist each cable forcibly, nor touch metal terminal end, do not wet it or enter foreign objects inside. If not it may cause a contact failure or malfunction.

※The figure is a combination example of 200 X 200 size base module.


How to Use (procedure for lighting effects)

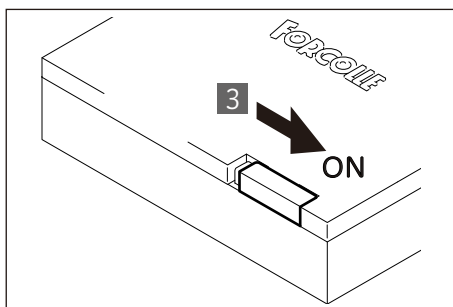


- 1 When handling this product, please prepare a Phillips screwdriver and a flathead precision screwdriver (eyeglass screwdriver etc.) Using a flathead precision screwdriver, set the rotary switch of the base module to the ID number controlled by the control box.

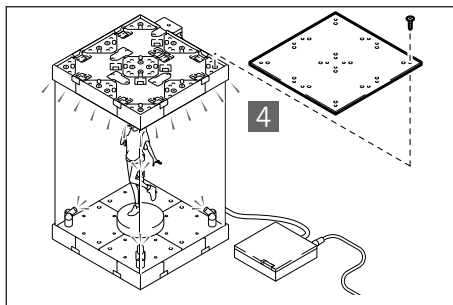


- 2 Using a flathead precision screwdriver, set the rotary switch of the control box to the desired lighting effect pattern number.


 Refer to the product overview (Control Box SE) for the description of the lighting effect pattern.



- 3 Upon checking all the connections of AC adapter, interface cables and AC100V~240V outlet, then turn on the power switch of the control box.



- 4 Confirm that the lighting operates correctly as it is set, and fix the top board with screws to the top side using a Phillips screwdriver.

 Use 16 screws to fix one top board. Tighten them in diagonal order.

※The figure is a combination example of 200 X 200 size base module.

Product Specification

Plug-in Module

Model number	BMD-P01
Size	W100mm X D100mmX H29.8mm
Weight	about 101g
Power source	AC adapter (DC12V/2.0A)
Power consumption	0.6VA (when 2 spotlights are lit)
Withstand load	5kg
Material	ABS

Surface Module

Model number	BMD-S01
Size	W100mm X D100mmX H29.8mm
LED emission color	White
Weight	about 101g
Power source	AC adapter (DC12V/2.0A)
Power consumption	0.8VA
Withstand load	5kg
Material	ABS, Polycarbonate

Blank Module

Model number	BMD-B01
Size	W100mm X D100mmX H29.8mm
Weight	about 64g
Withstand load	5kg
Material	ABS

Control Box SE/LE

Model number	CBX-001、CBX-002
Size	W100mm X D100mmX H20.0mm
Weight	about 136g
Power source	AC adapter (DC12V/2.0A)
Power consumption	1.2VA
Material	ABS

Product Specification

AC Adapter

Model number	OPT-001
Size	W73mm X D36mmX H53mm
Weight	about 130g
Power source	100-240V 50/60Hz
Power consumption	24VA (O/P DC12V 2.0A)

Spotlight (per piece)

Model number	PMO-001-W
LED emission color	White
Weight	about 4g
Power source	DC12V (supplied by Plug-in module)
Power consumption	0.15VA
Material	ABS

Troubleshooting

Power does not come on	Is the power plug inserted securely into the outlet?
There is a part where the lighting flickers or does not light up	Are the metal terminals of the base module, joint parts, interface parts etc. dirty or foreign matter attached?
Cannot set the desired lighting effect pattern	Is the ID number of the control box the same as the ID number of the base module?
The AC adapter has abnormal heat when energized	Have you exceeded the maximum number of connections (18) for the base module to one control box? Is each metal terminal part dirty or foreign matter attached to it?

Contact Us

Inquiries about products

NAITO Inc., Forcolle business group

Email : customer@forcolle.shop

Online shop : <http://www.forcolle.shop>

Please cooperate with development of "DISPLE"

We'd be waiting for your request / request from anyone, "I wish I could do such a production" "I wish I had such a useful function". We welcome your ideas and opinions.

Moreover, if you post and share videos/photos of the display that you directed via Twitter and Instagram with the hashtag "#DISPLE" "#DISPLAYER", we will introduce them on our official site etc.