



MAXVAC

VACUUM
EV30C



INSTRUCTION MANUAL



EV30C VACUUM

Carefully read these instructions before use and keep them safely after reading for later reference.

INSTRUCTION MANUAL

ASSEMBLY OF INSTRUCTIONS	6
INTENDED USE	12
ADDITIONAL SAFETY RULES	16
DRY VACUUMING	17
WET VACUUMING	18
BLOWER FUNCTION	19
START UP	19
CARE & MAINTENANCE	20
REPLACEMENT OF FILTERS	21
SPARES AND CONSUMABLES	22
WARRANTY	22
DECLARATION OF CONFORMITY	23



Dear customer,

Thank you for choosing a EV30C made by MAXVAC.

The EV30C from MAXVAC has been manufactured with the greatest care, and we hope that you will be happy with the EV30C you have just purchased. However, if it does not fully comply with your expectations, please contact your supplier.

The MAXVAC brand was born in Switzerland to provide maximum performance equipment to deal with dust management and provide environmental cleaning solutions.

The MAXVAC team is passionate about providing the most environmentally and ecologically acceptable cleaning solutions to promote clean and healthy environments in the home town and workplace.

The EV30C was specifically designed for the industry.

For more information on our range, please visit www.max-vac.com



CONGRATULATIONS

Congratulations on your purchase, you have obtained a state-of-the-art vacuum system. We hope that you will enjoy your purchase for years to come.

Read ALL instructions carefully before using this product.

FOR YOUR RECORDS

Please record the model and serial number below, for easy reference, in case of loss or theft. These numbers are located on the inside of the steering column. Space is also provided for other relevant information.

Model number

Serial Number

Date of Purchase

Purchased From

Make sure you have always this user's manual in your hands. It's very important for the user to read this manual this to make sure he understands the safety rules and the maintenance of this machine, to make it efficient and durable in time. However, the instruction and safety measures contained in this manual don't substitute, in any case, the safety measures existing in the country where the vacuum is used. The manufacturer declines all the responsibility for plants above the machine.



1. ASSEMBLY OF INSTRUCTIONS



Fig 1



Fig 3



Fig 2



Fig 4

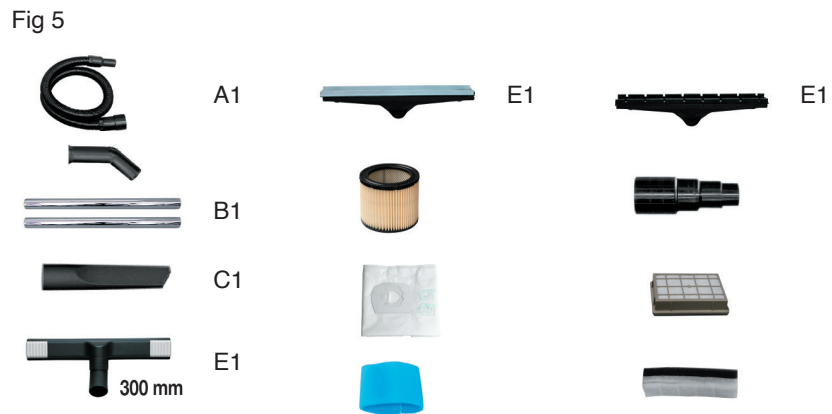
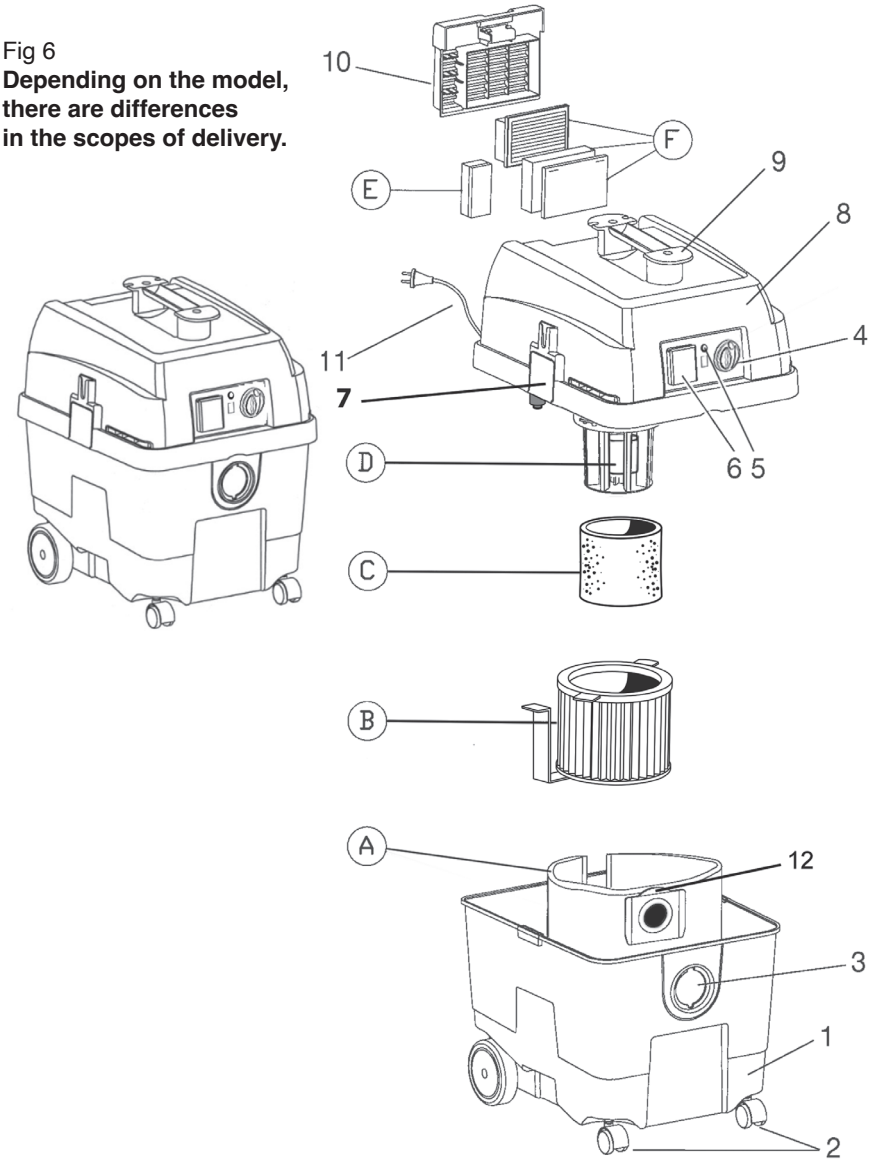


Fig 6
Depending on the model,
there are differences
in the scopes of delivery.





1. ASSEMBLY OF INSTRUCTIONS

Fig 7
Dry suction

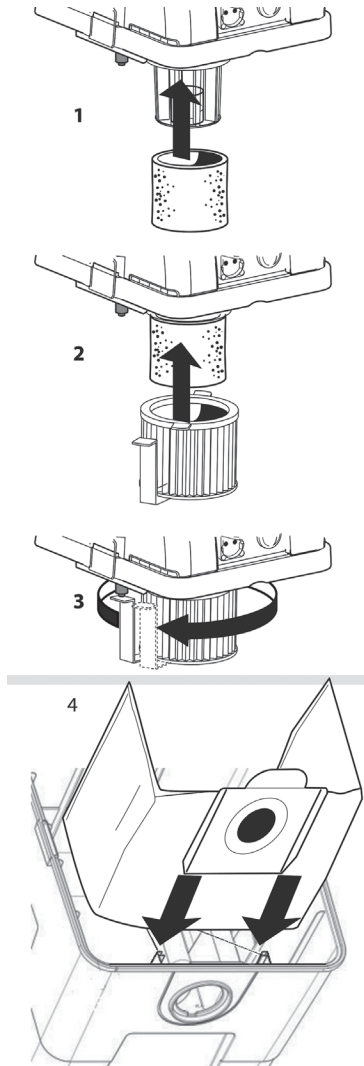


Fig 8
Liquid suction

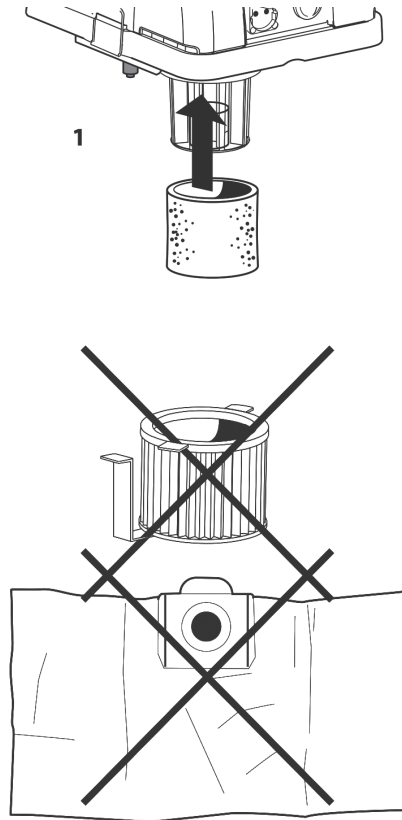


Fig 9
Outlet Models

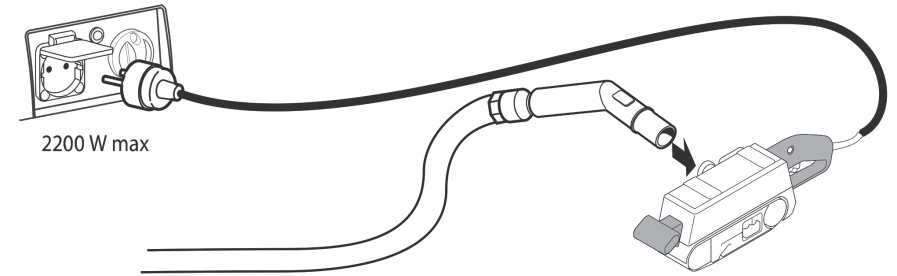
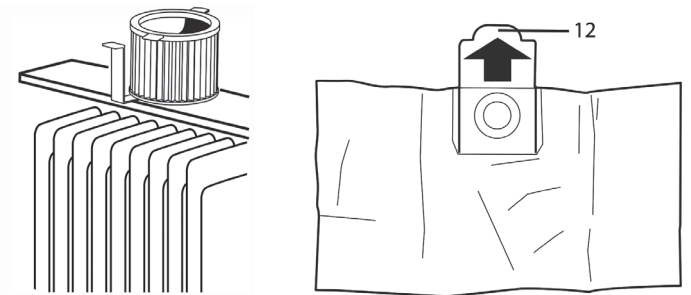


Fig 10
Filter cleaning



Fig 11
Changing the paper dust bag



CODE	MODELS	⚡		⚡	📦	🌀		📄	🌀	📦
		V	Hz			kPa	mmH ₂ O			
EV-30-MB-110	EV30C	110	50	1400	Total : 30 Dust:18 Liquids :20	24	2400	70	1	7.15
EV-30-MB-230	EV30C	230	50	1400	Total : 30 Dust:18 Liquids :20	24	2400	70	1	7.15



1. ASSEMBLY OF INSTRUCTIONS

DESCRIPTION OF THE APPLIANCE

See Fig 6

1. Dust and/or water container
 2. Pivoting wheels
 3. Hose inlet
 4. ON/OFF switch
 5. AUTO switch automatic simultaneous ignition switch for power tools (depending on the model)
 6. Socket panel for connection to power tools (depending on the model)
 7. Clasp to open dust collection compartment
 8. Lid
 9. Handle
 10. Air outlet grid
 11. Power supply cable
 12. Spline
 13. Guides
- (A) Single or double layer paper bag
(B) Paper cartridge filter
(C) Filter in polyurethane foam (only for wet & dry models)
(D) Basket with safety float (only for wet & dry models)
(E) Outlet filter of motor cooling air (only for wet & dry models)
(F) Air outlet filter (according different models)

ACCESSORIES PROVIDED

(according different models)* : optional (see Fig 5)

- A1 Hose complete with handle and connection
B1 Extension tubes in metal or plastic B metal telescopic tube
C1 Crevice tool
D1 Upholstery nozzle
E1 Dual-purpose brush or multi-purpose brush with accessory for hard-floors and water



Before using the appliance always check that all the filters provided are in the correct position.

- Position the polyurethane filter around basket (D) (figure 7, position 1).
- Position cartridge filter (B) in its seat (figure 7, position 2-3).
- When using bag (A), make sure the bag's flange is properly inserted into the appropriate grooves 13 in the dust and/or water container (figure 7, position 4).

Insert the bayonet cap at the end of the flexible hose into the inlet 3 and turn clockwise until locked as shown in fig. 2.

Join the extension tubes together or adjust the length of the telescopic tube by using the release button, and then connect the tubes or tube to the handle on the hose applying light pressure.

To the other end attach a suitable accessory:

Fig.5:

- The dual-purpose brush cleans hard floors, carpets and textile surfaces.
- To extract or remove the bristle strip push the button on the brush.
- The multi-purpose brush provided is suitable for cleaning carpets and textile surfaces.
- To clean hard surfaces and for vacuuming water it is necessary to attach the provided insert into the brush head.

To fit the inserts, gently push the accessory into the main brush head until the hooks click into the side slots on the brush head as shown in fig 3.

All the accessories provided can be attached to the end of the tubes or directly to the handle.



2. INTENDED USE

This machine is intended for collection, vacuuming, conveying and separation of nonflammable dry dusts and non-flammable liquids and water-air mixtures.

This dust category class M vacuum cleaner is for professional use and is suited for trades and workshops.

According to IEC/EN 60335-2-69, vacuum of dust category M may only be used for vacuuming and extraction of hazardous dusts with an exposition limit value $\leq 0,1 \text{ mg/m}^3$.

This appliance is suitable for commercial use, for example in hotels, schools, hospitals, factories, shops, offices and rental businesses.

The appliance is intended for use as a wet and dry vacuum cleaner.

Failure to comply with the abovementioned conditions will lead to cancellation of the guarantee.

Restriction of use

DO NOT use the vacuum cleaner for combustible dust.
DO NOT use the vacuum cleaner in explosive atmospheres.



CAUTION! It is important to be careful on safety grounds.



IMPORTANT



LOCKED



UNLOCKED

Optional

IF PRESENT



Double insulated (IF PRESENT): supplementary insulation is applied to the basic insulation to protect against electric shock in the event of failure of the basic insulation.



WARNING: This appliance contains harmful dust. The emptying and maintenance, including the removal of the collection bag, may only be executed by trained personnel wearing suitable protection equipment. Do not switch on until the complete filter system has been installed. Otherwise there is danger to your own health.



WARNING: This device contains dusts that are hazardous to health. Emptying and maintenance, including removal of the dust bag, is only allowed to be carried out by experienced persons wearing suitable protective equipment. Do not switch on until the complete filter system has been installed and the function of the volume flow control has been checked.
All types of dust up to class M can be vacuumed up with this device. The use of a dust collection bag is required by law.

Class M vacuum cleaners are suitable to vacuum dry, non-combustible dusts with workplace limit values of $\leq 0,1 \text{ mg/m}^3$.



SAFETY - GENERAL WARNING

Components used in packaging (if plastic bags) can be dangerous keep away from children and animals.

Operators shall be adequately instructed on the use of these machines

The use of this machine for anything not specified in this manual may be dangerous and must be avoided.

Only use the socket outlet on the appliance for purposes specified in the instruction manual. (note: this is only for appliances provided with socket outlet).

Always check the appliance before use.

The suction nozzle should be kept away from the body, especially delicate areas such as eyes, ears and mouth.

The appliance is not to be used by children or persons with reduced physical, sensory or mental capabilities, or lack of experience and knowledge, unless they have been given supervision or instruction.



2. INTENDED USE

Children shall not play with the appliance.

The equipment should be correctly assembled before use.

Ensure that power sockets used are correct for the machine.

Never grasp the power cord with wet hands.

Check that voltage indicated on the rating plate is the same as the supply voltage.

These machines are not suitable for vacuuming health endangering dusts or inflammable/ explosive substances (like ash and soot).

Never leave the equipment unattended whilst in use.

Never carry out any maintenance on the machine without first disconnecting from the mains supply or when it is left unattended or reachable by children or disables.

The power cord should not be used to pull or lift the machine.

The machine should never be immersed and never use water jet against the appliance to clean it.

When using the machine in wet rooms (e.g. in the bathroom) only connect it to sockets which are connected in series with a ground fault circuit interrupter. In case of doubt, consult an electrician.

Periodically examine the power cord and machine for damage. If any damage is found, do not use the appliance but contact your service centre for repair.

If the supply cord is damaged, it must be replaced by the manufacturer, its service centres or similarly qualified people in order to avoid a hazard.

If an extension cord is used, the plug and socket must be of watertight construction.



Before vacuuming liquids, check the float functions correctly. When vacuuming liquids, and when the tank is full, a float closes the suction opening, and the vacuum operation is interrupted. Then switch off the machine, disconnect the plug and empty the tank. Regularly clean the water level limiting device (float) and examine it for signs of damages.

If the machine overturns, it would be recommended to stand it up before switching off.

If foam or liquid escape from the appliance, switch off immediately ..

The equipment should not be used to vacuum water from containers lavatories, tubs, etc.

Before emptying the tank, switch off the machine and disconnect the plug from the power outlet.

Aggressive solvents or detergents should not be used.

Service and repairs must be carried out by qualified personnel only. Only use manufacturer original spare parts for service repair.

The manufacturer cannot be held responsible for any damage/injury caused to persons, animals or property caused by misuse of the appliance.

Use only manufacturer recommended attachments and manufacturer original spare parts.



3. ADDITIONAL SAFETY RULES



WARNING: This appliance contains harmful dust. The emptying and maintenance, including the removal of the collection bag, may only be executed by trained personnel wearing suitable protection equipment. Do not switch on until the complete filter system has been installed. Otherwise there is danger to your own health.

Do not pick up anything that is burning or smoking, such as hot ashes, matches or cigarettes.

Do not use to vacuum combustible explosive materials, such as grain, coal or other finely divided combustible material.

Do not use to vacuum hazardous, toxic or carcinogenic materials, such as asbestos or pesticide.

Never pick up explosive liquids (e.g. paint thinner, gasoline, diesel fuel, heating oil etc.), acids or solvents.

Do not use vacuum without filters in place, except as explained in the "Wet Vacuuming" section of this manual.

Some woods contain preservatives which can be toxic. Take extra care to prevent inhalation and skin contact when working with these materials. Request and follow any safety information available from the supplier of the materials.

Do not use vacuum cleaner as a seat, ladder or stepladder.

Do not place heavy objects on vacuum cleaner.

Do not hang the vacuum cleaner eg for transporting purposes.



A Wear Personal Protective Equipment (PPE). Ear, eye and respiratory protection must be worn.



USE

The requirements for the ingress degree (dust category M) have only been proven for dry vacuuming.

Be sure that switch is in off position (0) OFF and connect the machine to a suitable socket.

4. DRY VACUUMING



Class M vacuum cleaners are suitable to vacuum dry, non-combustible dusts with workplace limit values of $\leq 0,1 \text{ mg/m}^3$.

Inserting the filters: (fig. 7)

- (A) Paper bag .
- (B) Cartridge Filter .
- (C) Filter in polyurethane foam (only for wet & dry models)



4. WET VACUUMING

For wet & dry models, before cleaning up liquids, make sure that the paper bag (A) and the cartridge filter (B) have been removed. Inserting the filter: (fig. 8) (C) Filter in polyurethane foam (only for wet & dry models).

- The machine must always be kept on horizontal bases, in a safe and stable way.
- Insert the suitable filters for the proper use.



Never use the appliance without filters.

Use the most suitable accessories for the requested usage.

Put switch on (-) ON position in order to start the machine.



NOTE: An adequate ventilation rate (dust category class M) must be provided for when the outgoing air is circulated.



WARNING: Do not connect power tools to outlet when using the vacuum for wet pick up.



Plug vacuum into residual current device (RCD) protected outlet when using the vacuum for wet pick up.

When job is over, switch off (0) OFF and keep away the plug from the socket.



5. BLOWER FUNCTION

CAUTION: function not usable if the appliance is used to dry vacuum harmful dust.

The appliance can also be used as a blower: remove the air outlet grid 10 by pressing gently on the closure tab, remove the hose from the inlet 3 and then insert the bayonet cap of the hose into the blower outlet situated inside in the lid, behind the air outlet grid, as shown in fig 4.

When job is over, switch off (0) OFF and keep away the plug from the socket.

6. START UP



(0) OFF, SWITCH OFF



(I) ON, MANUALLY OPERATED: VACUUMING



AUTOMATICALLY OPERATED WITH CONNECTING ELECTRIC POWER TOOL TO SOCKET - SOCKET FOR TOOLS MAX. 220W

CONNECTING ELECTRIC POWER TOOLS:



WARNING: Observe the maximum connected loads for the appliance socket (Refer to SPECIFICATION).

Make sure that both the cleaner and the electric power tool are switched off before connecting or disconnecting.

To connect an electric power tool, open the cap and insert the power tool plug into the socket of the cleaner.

Rotate the switch lever to the "AUTOMATICALLY" position.

Switching ON and OFF of the connected electric power tool simultaneously brings the cleaner switching on and off action.

At the end of the cycle, the filter shake function will be activated for about six seconds.



6. START UP

After use, disconnect the power tool from the socket of cleaner.

Switch off the cleaner after use.

Even when rotate switch to position (I) ON , the electric tool socket is live.



To clean the filter manually, set the selector to the symbol of the filter cartridge.

7. CARE AND MAINTENANCE

The machine shall be disconnected from its power source, **by removing the plug from the socket outlet**, during cleaning or maintenance.

Clean the exterior part of the machine with a dry cloth.

Move the appliance only by catching the carrying handle located on the motor head.

Store the appliance and the accessories in a dry safe place, out of reach of children.

A dust-technical inspection is to be carried out at least once every year by the manufacturer or an instructed person, e.g. for damage of the filter, tightness against leakage of the vacuum cleaner and function of the control unit.

For category **M** vacuum cleaners that were in contaminated environments, the exterior as well as all machine parts should be cleaned.

When performing maintenance and repair work, all contaminated components that cannot be cleaned to satisfactory must be disposed of.

Such components must be disposed of in impermeable plastic bags conforming with the valid regulations for the disposal of such waste.



8. REPLACEMENT OF FILTERS

The machine shall be disconnected from its power source, **by removing the plug from the socket outlet**, during cleaning or maintenance.

Once the filter has been cleaned, check whether it is suitable for further use. If it has been damaged or broken, replace it with an original filter.

For the cleaning and maintenance of the filters, follow these instructions:

The paper dust bag

FILTER 

The paper dust bag must be replaced when the indicator light remains on. Close the bag by sliding the tab 12

It is good practice however, to change the bag regularly to guarantee optimal cooling of the motor.

Dispose of the filter in a suitable container according to the applicable laws.

If the vacuum cleaner is used without the paper dust bag, it is recommended that the dust container be emptied and cleaned after each use; this procedure is also recommended following the suction of any type of liquid.

The paper cartridge filter

It should periodically be washed only externally under running water to avoid damage to the filter surface. It is recommended, however, that this filter be replaced every six months, also in relation to the frequency of use and to the type of dirt.

The polyurethane foam filter must be cleaned regularly by brushing and/or by washing with water and neutral detergent. It is also recommended that this filter be replaced regularly, depending on frequency of use and type of dirt.

Air outlet filters

Filter for motor cooling air, only for wet & dry models. Various types (depending on the model) of air outlet filter for all versions. These filters must be replaced regularly with new filters at least every six months, and in any case according to the type of dirt and frequency of use.



8. REPLACEMENT OF FILTERS

Careful cleaning, maintenance and replacement of filters are essential to guarantee:

- maximum efficiency of the appliance
- reduction of dust returned to the environment
- optimal cooling of the motor

9. SPARES AND CONSUMABLES

Always replace parts with genuine spares. These are available from MAXVAC. When ordering parts always quote your model number.

After Sales Service

Should you require service at any time, please contact the MAXVAC support team.

10. WARRANTY

All our machines are subjected to strict tests and are covered against manufacturing defects in accordance with applicable regulations. The warranty is effective from the date of purchase.

The following are not included in the warranty:

- Parts subject to normal wear.
- Rubber parts, charcoal, filters and the accessories and optional accessories.
- Accidental damage caused by transport, neglect or inadequate treatment, incorrect or improper use and installation failing
- The warranty shall not cover any cleaning operations to which the operative components may be subjected, such as clogged nozzles and filter blocked due to limestones.



4. DECLARATION OF CONFORMITY

Do not dispose of electrical appliances with household waste!

In compliance with European Directive 2012/19/EU on waste electrical and electronic equipment (WEEE) and its implementation in accordance with national law, electric tools that have reached the end of their lifecycle must be collected separately and returned to an environmentally compatible recycling facility.

"EC-DECLARATION OF CONFORMITY"

The manufacturer declares that the products described in these instructions

MV EV30C

Comply with the essential requisites of European Directives:

2014/35 / EU 2014/30 EU 2011/65 / EU

and is in accordance with standards

EN 60335-1: 2012 + A11: 2014

EN 60335-2-69:2012

EN 62233: 2008

EN 55014-1: 2006 + A1: 2009 + A2: 2011

EN 55014-2: 2015

EN 61000-3-2: 2014

EN 61000-3-3: 2014



MAXVAC



Mülibodenstrasse 3
CH-8172 Niederglatt
Zürich, Schweiz



+41(0) 43 411 4195



max-vac.com