



DV20-MB
DV35-MB
DV50-MB



INSTRUCTION
MANUAL

GEBRAUCHS-UND
WARTUNGSANLEITUNGEN

INSTRUCTIEHANDLEIDING

ISTRUZIONI PER L'USO
E LA MANUTENZIONE

INSTRUCTIONS D'UTILISATION
ET D'ENTRETIEN

INSTRUCCIONES DE USO
Y MANTENIMIENTO



DV 20|35|50 MB

<u>ENGLISH</u>	<u>4</u>
<u>DEUTSCH</u>	<u>30</u>
<u>NEDERLAND</u>	<u>56</u>
<u>FRANCAIS</u>	<u>82</u>
<u>ITALIANO</u>	<u>108</u>
<u>ESPANOL</u>	<u>134</u>



ENGLISH

INSTRUCTION MANUAL

WARNINGS	5
DESCRIPTION SYMBOLS INSTRUCTIONS	11
KEY TO SYMBOLS	11
TECHNICAL SPECIFICATIONS	12
ACCESSORIES	13
OPERATION	15
FILTER SYSTEMS	17
POWER TOOLS	21
MAINTENANCE	25
TROUBLESHOOTING	28
EU DECLARATION OF CONFORMITY	29



WARNINGS



The appliances described in this manual are suitable for:

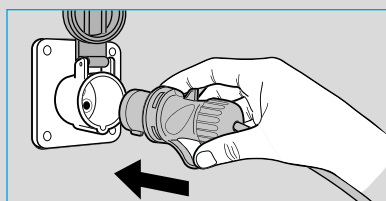
- Vacuuming dust and liquids.
- Professional use (e.g. hotels, schools, hospitals, factories, shops, offices and rental agencies).
- The 'M' Category is suitable for the separation of dry powders (as long as they are not explosive, inflammable and/or carcinogenic) with maximum permeability <math><0.1\%</math> and MAC (Maximum Allowable Concentration) $\geq 0.1\text{mg/m}^3$.

Carefully keep this instruction manual.

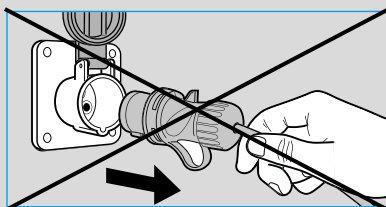
- An electric appliance is not a toy. Use and store it out of reach of children. Children must be supervised to ensure they do not play with the appliance.
- Keep the packaging components (cardboard box, PSE protections, etc.) out of reach of children.
- This appliance has not been designed to be used by person's (including children) with reduced physical, sensory and mental faculties, or who have not first read this instruction manual.
- This appliance has been designed to operate with alternating current only. Before starting the appliance, check that the mains voltage corresponds to that indicated on the data plate.
- Check that the electric system is fitted with a differential switch (type automatic cut-out)



- Use an extension cable only if in perfect conditions and make sure that the cross-section is appropriate for the power of the appliance plus the power of the electric tool.
- Never leave the appliance running unattended.
- If the discharge air is released back into the working environment, it must have a sufficient Class 'M' air exchange index. In order to observe the required limit values, the flow rate must be maximum 50% of the fresh air flow rate (volume of the environment VR by air exchange index LW). Also comply with the regulations in force.
- Activate the “self-cleaning filter” function for a maximum time of 60 seconds.
- Completely unwind the power cable before starting the appliance.
- Do not aim the suction hose at ears, eyes, hair, persons or animals in general.



- Connect the appliance only to power sockets with a minimum capacity of 10A to trigger the power take off.



- Do not pull on the power cable or the appliance to pull the plug from the power socket.

Risk of falling:

Do not climb onto or sit on the cover of the appliance.



WARNINGS

- During transport of the appliance, the motor must be off. Also ensure that the appliance cannot disperse dust into the environment and that it is in a stable position
- Shut off the machine in the case of high dust emission, fire or smoke. Using the appliance is allowed only after it is checked and repaired by an authorized person.
- Always pull the plug from the mains power socket immediately after use and before carrying out any cleaning or maintenance on the appliance.
- Repairs may only be carried out by specialists who keep the original spare parts supplied by the manufacturer.
Repairing the appliance yourself can be extremely dangerous.
- In compliance with the regulations in force, appliances that are to be discarded must be made unusable by cutting the power cable before disposal.

Never use the appliance:

- When your hands are wet or moist;
- If it has fallen and shows evident damage or malfunctions;
- If the power cable or plug is defective.



**Clean the appliance using water only.
Do not use trichloroethylene, solvents
or abrasive detergents.**



- The appliance should be decontaminated by vacuum cleaning methods and wiped clean or treated with sealant before being taken out of a hazardous area. All the other appliance parts shall be regarded as contaminated when removed from hazardous area and appropriate action taken to prevent dust dispersal.
- During cleaning and maintenance, it is recommended to always wear personal protection devices (gloves and mask) as required by the national regulations in force.
- Before proceeding with maintenance operations, it is strongly recommended to first decontaminate the appliance by vacuuming clean air for a few minutes and to clean it on the outside.
- Maintenance and cleaning must be carried out in a room with adequate ventilation and in such a way as not to endanger the operators or other persons.
- Clean the place where maintenance is carried out in order to prevent that hazardous substances are dispersed into the environment.
- During maintenance, repair and disposal operations, all the contaminated parts of the appliance that cannot be completely cleaned must be eliminated; put them in impermeable bags according to the national regulations in force for disposal of special waste.
- For proper disposal, it is advisable to indicate on the impermeable bag which substances have been vacuumed.
- It is recommended to carry out a technical inspection on the appliance at least once a year to check that the seals are tight and proper functioning of the control mechanisms so that any malfunctions can be detected. Daily check the integrity of the filter system.



WARNINGS

- This appliance has been designed to be used by adequately trained persons, specifically on cleaning and maintenance of the appliance, the risks deriving from vacuumed materials and their proper disposal, and replacement of spare parts according to the directives in force in the various countries.
- Do not vacuum flammable, potentially explosive or corrosive substances and incandescent ash. These substances may compromise safety and operation of the appliance.
- Never put the power cable on sharp edges, do not crush it and keep it away from the rotary electric brushes



If the power cable is damaged, it must be replaced by the manufacturer or approved technical service centre or in any case by a person with similar qualification so as to prevent any risk.

- Only use the socket outlet on the machine for purposes specified in the instructions.
- For the electric tools connected to the socket of the vacuum cleaner, follow the relative instructions for use.
- In the event of leaks (foam or liquid) immediately turn off the appliance.



CAUTION

- This machine shall be stored indoors only.
- Frequently clean the seat where the safety float slides and periodically inspect it to check its integrity.
- Do not use the appliance when the filter system is damaged.
- Dust class ‘M’ does not apply when vacuuming liquids.

REMEMBER THAT

- In case of potentially hazardous substances come in contact with eyes or skin, rinse with water and consult a specialist center.
- In case of potentially hazardous substances were inhaled or ingested call a physician. Do not induce vomiting to avoid contaminating the lungs; it is recommended to rinse your mouth without swallowing water.
- If, in the case of spontaneous vomiting, is supposed to have entered the lungs of potentially dangerous substances, transport to hospital.

The manufacturer declines all responsibility for improper use or not according to the instructions provided, tampering with and inadequate maintenance of the appliance.



SYMBOLS

DESCRIPTION SYMBOLS INSTRUCTIONS



Read
the instructions
before using the
appliance.



Attention
indicates
a potential
hazardous
situation.



Note
warning for
proper use



**Operator
Manual**
Instructions for
use

KEY TO SYMBOLS



Socket for
electric tools



Connection
for pneumatic
tools



Wet & dry
vacuum
cleaner



“Self-
cleaning
filter”
function



Professional



Blower
connection



Industrial



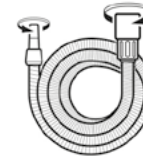
TECHNICAL SPECIFICATIONS

	DV20	DV35	DV50
Power supply voltage	230/110 V~	230/110 V~	230/110 V~
Frequency	50/60 Hz	50/60 Hz	50/60 Hz
Power Rating	1200 W	1200 W	1200 W
Maximum airflow approx	60 L/sec	60 L/sec	60 L/sec
Total installed power (vacuum + electric tools)	230v = 3200 110v = 2200	230v = 3200 110v = 2200	230v = 3200 110v = 2200
Drum made of			
Rated drum capacity	20	35	50
MAX suction approx	240 kPa	240 kPa	240 kPa
Motor insulation class			
Appliance insulation class	I	I	I
Protection rating	IPX4	IPX4	IPX4
Maximum power from power tool socket	(W) 230v = 2000 110v = 1000	(W) 230v = 2000 110v = 1000	(W) 230v = 2000 110v = 1000
After-run delay	Yes	Yes	Yes
Automatic filter cleaning mechanism	Auto	Auto	Auto
Electrical power cable type	3G HO7RN-7	3G HO7RN-7	3G HO7RN-7
Packaging size approx	400 x 400 x 540 mm	430 x 430 x 660 mm	480 x 480 x 735 mm
Packed appliance weight approx	11.5 Kg	12 Kg	13.5 Kg
Appliance weight *	8.6 Kg	9 Kg	10 Kg
Constant and weighted sound pressure level	< 68 ± 2 dB(A)	< 68 ± 2 dB(A)	< 68 ± 2 dB(A)

* Weight in accordance with the procedure EPTA 01/2003



ACCESSORIES



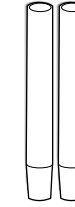
DV-ACC-113

ø36 mm flexible hose with multi-diameter adapter for electric tools



DV-ACC-112

ø45 mm flexible hose with ergonomic grip and downflow device



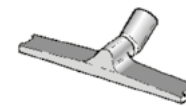
DV-ACC-115

Plastic extension wands



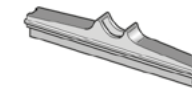
DV-ACC-104

Crevice tool



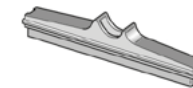
DV-ACC-114

Floor bar housing for combined brush



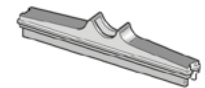
DV-ACC-102

Floor bar insert for liquids



DV-ACC-101

Floor bar insert for hard floors



DV-ACC-100

Floor bar insert for carpets



DV-ACC-124

Multi-diameter adapter



DV-ACC-105

Triangular accessory



DV-ACC-110

Round brush.



DV-ACC-106

Foam filter for vacuuming liquids



DV-ACC-125

Power tool cord clamp



DV-ACC-109

"IFA" filter cartridge Class 'M' for DV 20/35/50



DV-ACC-111

Pre-Filter



DV-ACC-302

"IFA" double-layer fleece filter bag Class 'M' for DV20



DV-ACC-107

"IFA" double-layer paper filter bag Class 'M' for DV35



DV-ACC-107

"IFA" double-layer fleece filter bag Class 'M' for DV35



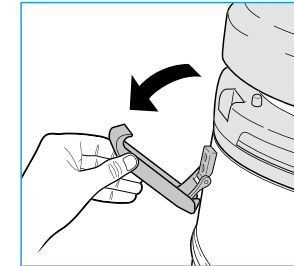
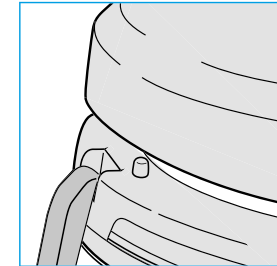
DV-ACC-107

"IFA" double-layer fleece filter bag Class 'M' for DV35

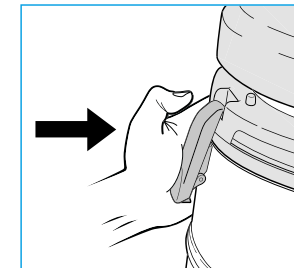
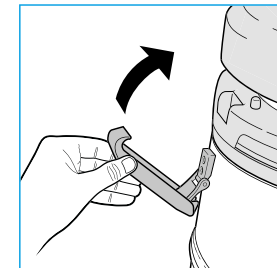


OPERATION

RELEASING THE MOTOR UNIT

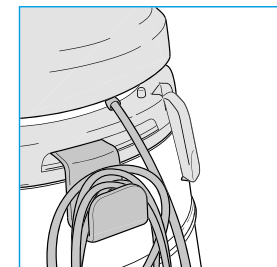


To release the motor unit.



To refit the motor unit.

CORD HOOK (WHERE FITTED)



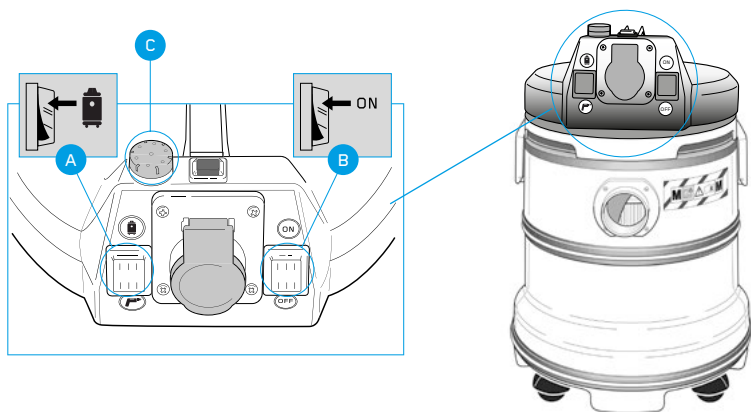


FOR USE AS A WET OR DRY VACUUM CLEANER

Selector switch (A): in **"MANUAL"** position.

Power switch (B): position **"O"** - Appliance off / position **"I"** - Appliance on.

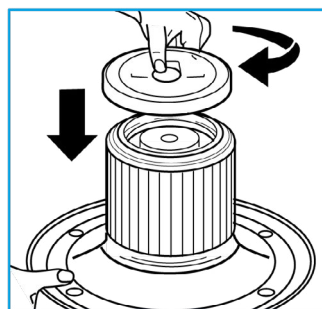
Warning light (C): if the filter system or the flexible hose is clogged, the warning light comes on.



FOR USE AS A DRY VACUUM

The filter cartridge should **ALWAYS** be used.

Keep the filter cartridge clean. Replace it if overly caked or worn



FILTER SYSTEMS

USING THE FILTER



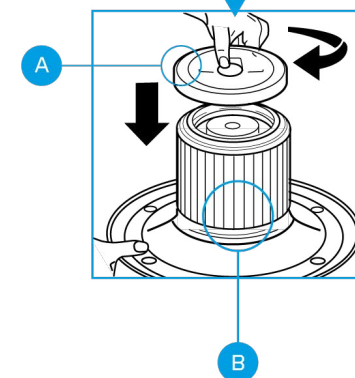
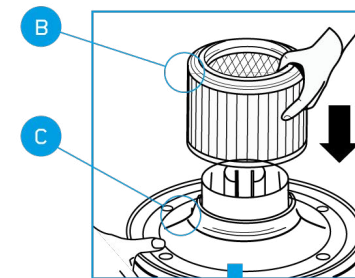
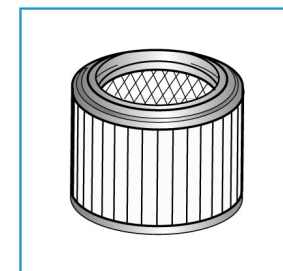
To vacuum Class 'M' dust always use the filter element. Avoid using the filter for sharp or damp materials .

Place the filter (B) on the motor housing (C).

Fit the plastic disc (A) onto the filter (B)



We strongly recommend using this filter when vacuuming dust and solids; it can be used along with the filter paper bag. This helps prevent the filter unit from clogging, and has the advantage of making the disposal of vacuumed debris quick and sanitary. Avoid using them for cutting or damp materials.

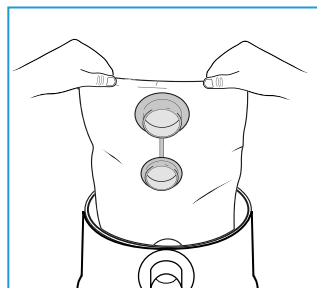




USING THE DUST BAG

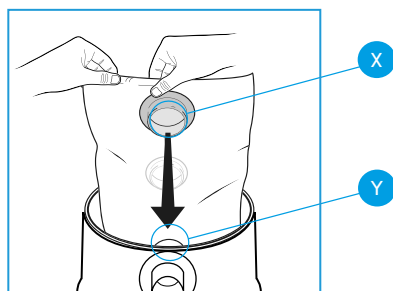


Use the dust bag only when the filter cartridge is installed. To pick up dust of class 'M' the dust bag must be installed in the appliance.



Insert the paper filter bag in the waste drum.

Fit the plastic flange (X) into the air inlet connector (Y). Be careful not to damage the bag.



Use the bag to remove dirt more hygienically.

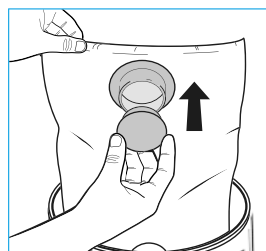
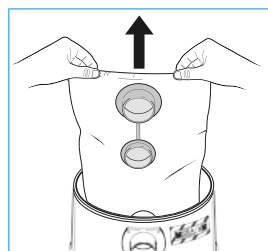
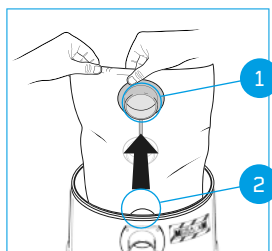
CHANGING THE DUST BAG



Dispose of the bag in compliance with the special waste disposal regulations in force in your country

The paper bag must never be re-used but only be replaced.

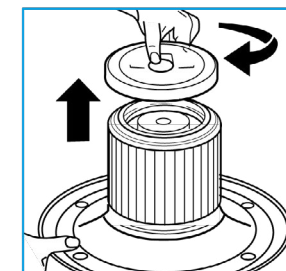
Remove the plastic flange (1) from the air inlet connector (2). Take out the full bag. Close the plastic flange with the cap provided.



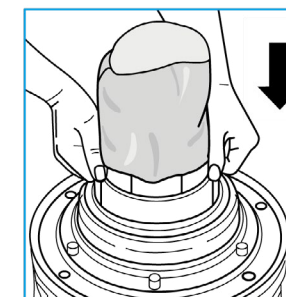
FOR USE AS A WET VACUUM



Always remove the filter cartridge and the paper filter bag, if fitted. Use the foam filter. The foam filter is not suitable for vacuuming Class 'M' dust.

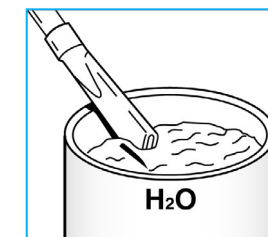


When the vacuumed liquids reach the maximum level inside the drum, suction is automatically cut off by the safety float. The user is alerted by an increase in the RPM rate of the motor and the lack of suction. Turn off the appliance immediately and empty the drum.



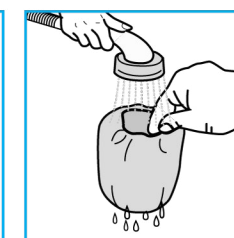
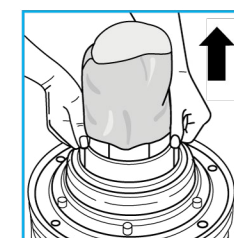
VACUUMING LARGE QUANTITIES OF LIQUID

To ensure partial airflow, make sure that the crevice tool is never fully submerged.



CLEANING THE FOAM FILTER

Rinse the foam filter with water. **DO NOT** use detergent. Replace if worn or torn.

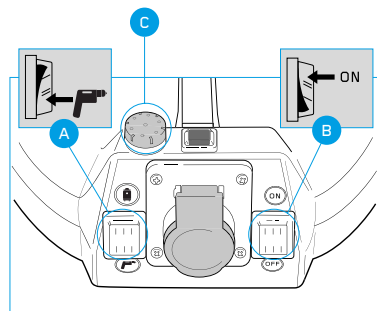




'SELF CLEANING FILTER' FUNCTION

With switch (B) in position "I", when switch (A) is set to the "AUTOMATIC" position the Self Cleaning filter function is activated.

When the appliance is switched off, it will continue to run for 8/10 seconds, then the self-cleaning filter function will begin.



When the switch 'A' is set to MANUAL the Self Cleaning Filter function is not active.

'SELF CLEANING FILTER' MANUAL

Warning light (C) on: manually start the "Self-cleaning filter" function; press the orange switch (E).

For proper cleaning of the filter element, follow the instructions on page 26

Continuous operation of the "Self-cleaning filter" system for more than 60 seconds may cause the thermal protection switch to trip.



If the air speed drops to below 20 m/sec., the warning light comes on (in accordance with IEC/EN 60335-2-69)



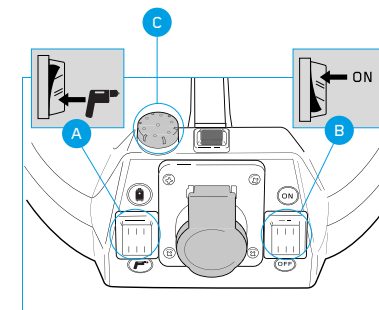
POWER TOOLS

FOR USE WITH POWER TOOL

Selector switch (A): in "AUTOMATIC" position.

Power switch (B): position "I" - Appliance on.

The appliance runs in sync with the power tool.





CONNECTING A POWER TOOL TO THE VACUUM CLEANER

Plug the power tool into the socket on the Motor unit (A)
Plug the vacuum into the power supply (B).

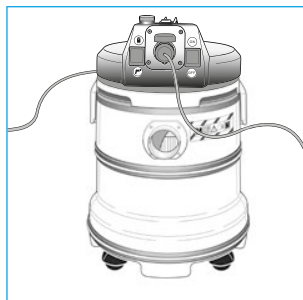
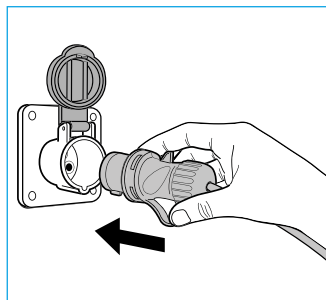
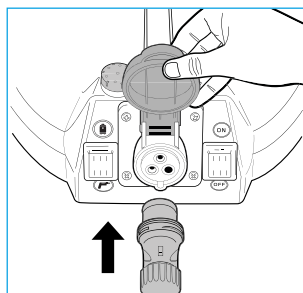
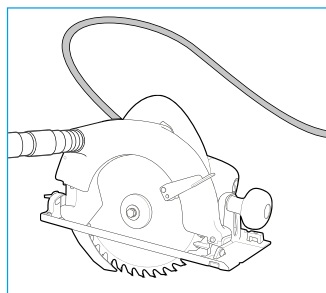
The power socket is suitable for connection of electric tools with a maximum permitted power as indicated on page 12 - Technical Data

NEVER plug in power tools with a higher rating

NEVER plug more than one power tool into the socket on the motor unit

Plug in the power tool, then the vacuum. With the cable clamp, fix the cable of the electric power tool to the flexible hose.

Turn on the appliance.

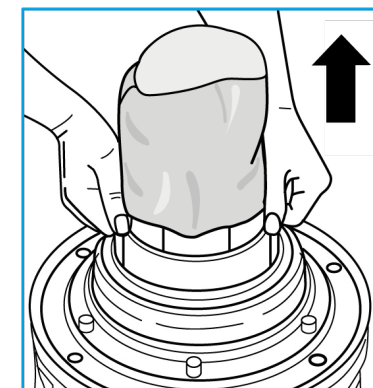
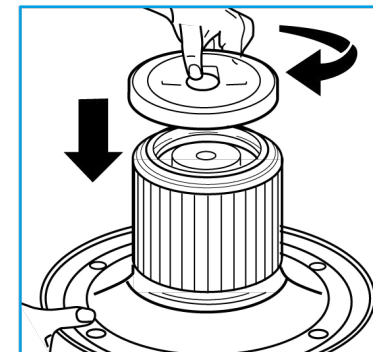


TO USE A POWER TOOL WITH THE VACUUM



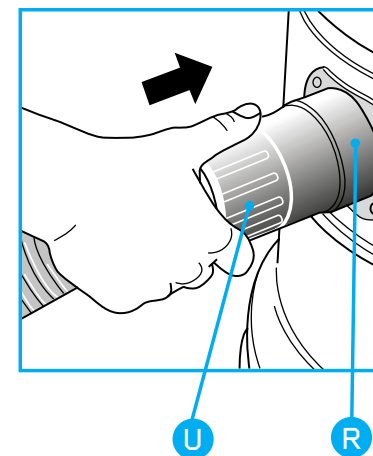
The filter cartridge should always be attached. Remove the foam filter if installed.

Always keep the filter system in good working order to ensure efficient operation. We recommend cleaning the filter cartridge frequently as illustrated on Page 26



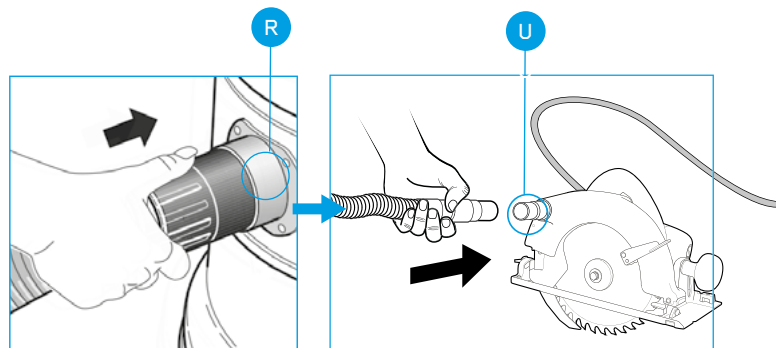
ATTACHING THE FLEXIBLE HOSE

Attach the connector of the flexible hose (U) to the air inlet connector (R).



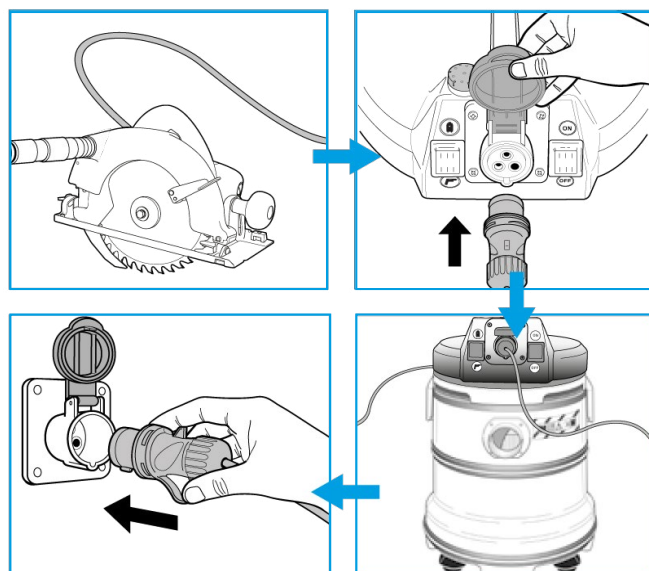


Insert the sleeve of the flexible hose in the air inlet connector (R) and the adapter (U) in the dust conveyor of the electric power tool.



Plug in the power tool, then the vacuum. With the cable clamp, fix the cable of the electric power tool to the flexible hose.

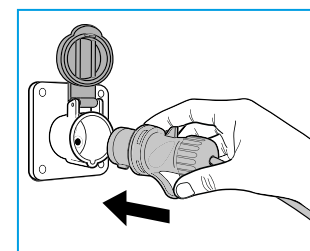
Turn on the appliance.



MAINTENANCE



Always unplug the appliance from the power supply before cleaning or servicing the filter system in any way.



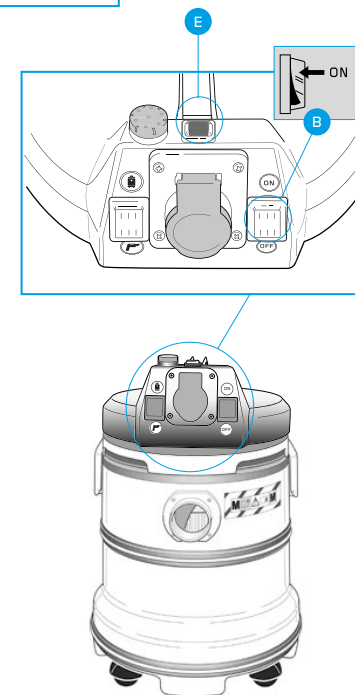
FILTER CARTRIDGE

To manually start the "Self-cleaning filter" function, press the orange switch (E) for maximum 15÷20 seconds. Then release the switch (E) for 15 seconds; the coil must cool down. The coil that activates the "Self-Cleaning filter" system is fitted with a thermal protection switch.

Continuous system operation for more than 60 seconds may cause the thermal protection switch to trip.

The system resets after about 20 minutes.

Switch "A" to "MANUAL"= Self-cleaning Filter function not active (see page 20)





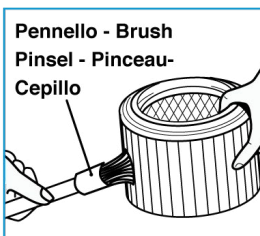
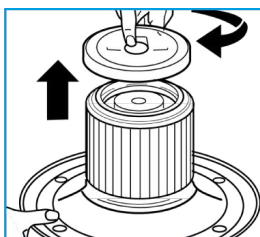
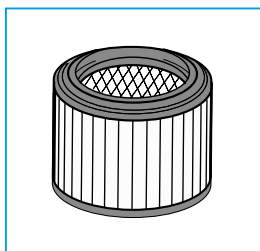
To thoroughly clean the filter cartridge wash it as shown in figure.

Before putting the filter cartridge back on, make sure it is completely dry.

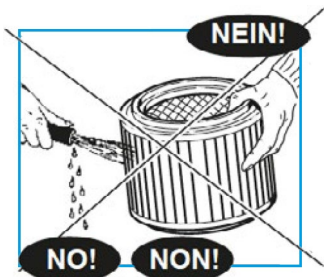
Replace the filter cartridge **only** if worn.

Dispose of the filter element in compliance with the special waste disposal regulations in force in the various countries.

The filter element may only be cleaned and washed when generic and not Class 'M' dust has been vacuumed.



Handle the filter cartridge carefully when wet.



Do not use a filter that has been washed to vacuum Class 'M' dust.



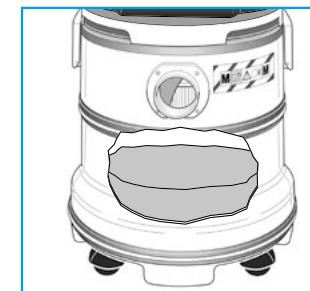
CLEANING THE DRUM

After vacuuming liquids, empty the drum and rinse it together with the accessories in order to prevent scale from forming.

Frequently wash the seat where the safety float slides in order to ensure it's properly functioning.

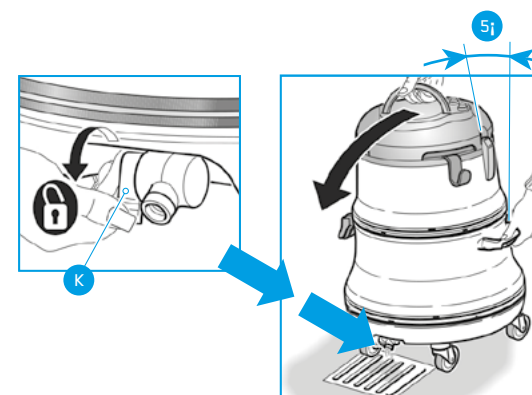
Before vacuuming Class 'M' dust again make sure that the filter element and the bag are fitted.

Wash the drum after each use.



MODEL DV50 ONLY

Open the liquid discharge tap (K). In order to completely empty the container bin tip it 5° as shown in the diagram.





TROUBLESHOOTING

Problems	Causes	Solutions
The appliance will not start	No power Defective power cord, switches or motor.	Check that the power socket is working Contact your technical service centre (see attached list).
Reduced Efficiency	Drum too full Filter cartridge is dirty or caked. Clogged tube or accessories.	Empty Drum Thoroughly clean or change the filter, Check the hose or accessories.
The RPM rate of the motor is noticeably higher.	Drum too full. Filter cartridge is dirty or caked. Clogged tube or accessories.	Check the drum. Thoroughly clean or change the filter, Check the hose or accessories.
The appliance will not start in "power tool" mode.	Defective circuit board.	Contact your technical service centre (see attached list).



Do not dispose of electrical appliances with household waste!

In compliance with European Directive 2012/19/EU on waste electrical and electronic equipment (WEEE) and its implementation in accordance with national law, electric tools that have reached the end of their lifecycle must be collected separately and returned to an environmentally compatible recycling facility.

"EC" DECLARATION OF CONFORMITY"

The manufacturer declares that the products described in these instructions

MV DV20 MB | MV DV35 MB | MV DV50 MB

Comply with the essential requisites of European Directives:

2014/35 / EU 2014/30 EU 2011/65 / EU

and is in accordance with standards

EN 60335-1: 2012 + A11: 2014

EN 60335-2-69:2012

EN 62233: 2008

EN 55014-1: 2006 + A1: 2009 + A2: 2011

EN 55014-2: 2015

EN 61000-3-2: 2014

EN 61000-3-3: 2014

This declaration was drawn up in October 2016.



DEUTSCH

ANWEISUNG HANDBUCH

WARNUNGEN	31
BESCHREIBUNG SYMBOLE ANWEISUNGEN	37
SCHLÜSSEL FÜR SYMBOLE	37
TECHNISCHE SPEZIFIKATIONEN	38
ZUBEHÖR	39
BEDIENUNG	41
FILTERSYSTEME	43
ELEKTRISCHE WERKZEUGE	47
WARTUNG	51
FEHLERBEHEBUNG	54
EU-KONFORMITÄTSERKLÄRUNG	55



WARNUNGEN



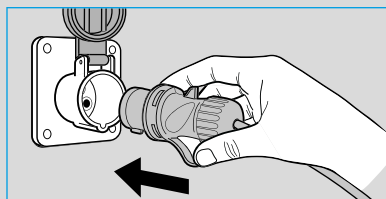
Die in diesem Handbuch beschriebenen Geräte sind geeignet für:

- Staub und Flüssigkeiten absaugen.
- Professionelle Nutzung (z.B. in Hotels, Schulen, Krankenhäusern, Fabriken, Geschäften, Büros und Vermietungsagenturen).
- Die Kategorie 'M' eignet sich für die Trennung von trockenen Pulvern (solange sie nicht explosiv, entzündlich und/oder krebserregend sind) mit einer maximalen Permeabilität <0,1% und MAC (Maximum Allowable Concentration) $\geq 0.1 \text{ mg/m}^3$.

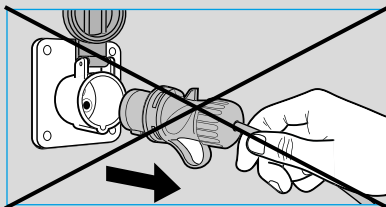
Bewahren Sie diese Bedienungsanleitung sorgfältig auf.

- Ein Elektrogerät ist kein Spielzeug. Verwenden und lagern Sie es außerhalb der Reichweite von Kindern. Kinder müssen beaufsichtigt werden, um sicherzustellen, dass sie nicht mit dem Gerät spielen.
- Bewahren Sie die Verpackungskomponenten (Karton, PSE-Schutz usw.) außerhalb der Reichweite von Kindern auf.
- Dieses Gerät ist nicht für die Verwendung durch Personen (einschließlich Kinder) mit eingeschränkten körperlichen, sensorischen und geistigen Fähigkeiten oder Personen, die diese Gebrauchsanweisung nicht zuerst gelesen haben, vorgesehen.
- Dieses Gerät ist nur für den Betrieb mit Wechselstrom ausgelegt. Prüfen Sie vor der Inbetriebnahme des Gerätes, ob die Netzspannung mit der auf dem Typenschild angegebenen Spannung übereinstimmt.

- Kontrollieren Sie, ob die elektrische Anlage mit einem Differentialschalter (Typ Selbstausschalter) ausgestattet ist.
- Verwenden Sie ein Verlängerungskabel nur in einwandfreiem Zustand und achten Sie darauf, dass der Querschnitt der Leistung des Geräts plus der Leistung des Elektrowerkzeugs entspricht.
- Lassen Sie das Gerät niemals unbeaufsichtigt laufen.
- Wenn die Abluft wieder in die Arbeitsumgebung gelangt, muss sie einen ausreichenden Luftaustauschindex der Klasse 'M'. Um den geforderten Grenzwert einzuhalten muss die Durchflussrate maximal 50% der Frischluftdurchflussrate (Volumen der Umgebung VR nach Luftaustauschindex LW). Beachten Sie auch die geltenden Vorschriften.
- Aktivieren Sie die Funktion "selbstreinigender Filter" für eine maximale Zeit von 60 Sekunden.



- Schließen Sie das Gerät nur an Steckdosen mit einer Mindestkapazität von 10A an, um den Stromabzug auszulösen.



- Ziehen Sie nicht am Stromkabel oder am Gerät, um den Stecker aus der Steckdose zu ziehen.

Sturzgefahr:

Nicht auf den Deckel des Geräts klettern oder sich darauf setzen.



WARNUNGEN

- Wickeln Sie das Netzkabel vollständig ab, bevor Sie das Gerät starten.
- Richten Sie den Saugschlauch nicht auf Ohren, Augen, Haare, Personen oder Tiere im Allgemeinen.
- Während des Transports des Geräts muss der Motor ausgeschaltet sein. Achten Sie auch darauf, dass das Gerät keinen Staub in die Umgebung abgeben kann und dass es sich in einer stabilen Position befindet.
- Schalten Sie die Maschine bei hoher Staubemission, Feuer oder Rauch ab. Die Benutzung des Geräts ist nur nach Überprüfung und Reparatur durch eine autorisierte Person erlaubt.
- Ziehen Sie den Netzstecker immer sofort nach dem Gebrauch und vor jeder Reinigung oder Wartung des Geräts aus der Steckdose.
- Reparaturen dürfen nur von Fachleuten durchgeführt werden, die die vom Hersteller gelieferten Original-Ersatzteile aufbewahren.
Das Gerät selbst zu reparieren, kann äußerst gefährlich sein.

Benutzen Sie das Gerät niemals:

- Wenn Ihre Hände nass oder feucht sind;
- Wenn es heruntergefallen ist und offensichtliche Schäden oder Fehlfunktionen aufweist;
- Wenn das Stromkabel oder der Stecker defekt ist.



Reinigen Sie das Gerät nur mit Wasser. Verwenden Sie kein Trichlorethylen, Lösungsmittel oder Scheuermittel.

- In Übereinstimmung mit den geltenden Vorschriften müssen Geräte, die entsorgt werden sollen, vor der Entsorgung durch Durchtrennen des Stromkabels unbrauchbar gemacht werden.
- Das Gerät sollte mit Hilfe von Staubsaugern dekontaminiert und sauber gewischt oder mit Dichtungsmasse behandelt werden, bevor es aus einem Gefahrenbereich herausgebracht wird. Alle anderen Geräteteile sind als kontaminiert zu betrachten, wenn sie aus dem Gefahrenbereich entfernt und geeignete Maßnahmen zur Verhinderung der Staubverteilung getroffen werden.
- Es wird empfohlen, während der Reinigung und Wartung stets persönliche Schutzvorrichtungen (Handschuhe und Maske) zu tragen, wie es die geltenden nationalen Vorschriften vorschreiben.
- Bevor mit den Wartungsarbeiten begonnen wird, wird dringend empfohlen, das Gerät zunächst einige Minuten lang durch Absaugen sauberer Luft zu dekontaminieren und außen zu reinigen.
- Die Wartungs- und Reinigungsarbeiten müssen in einem Raum mit ausreichender Belüftung und in einer Weise durchgeführt werden, dass weder das Bedienungspersonal noch andere Personen gefährdet werden.
- Reinigen Sie den Ort, an dem die Wartung durchgeführt wird, um zu verhindern, dass gefährliche Stoffe in die Umwelt gelangen.
- Bei Wartungs-, Reparatur- und Entsorgungsarbeiten sind alle kontaminierten Teile des Gerätes, die nicht vollständig gereinigt werden können, zu beseitigen; sie sind in undurchlässige Säcke gemäß den geltenden nationalen Vorschriften für die Entsorgung von Sondermüll zu verpacken.
- Zur ordnungsgemäßen Entsorgung ist es ratsam, auf dem undurchlässigen Beutel anzugeben, welche Stoffe abgesaugt wurden.
- Es wird empfohlen, mindestens einmal pro Jahr eine technische Inspektion des Gerätes durchzuführen, um die Dichtigkeit der Verschlüsse und das einwandfreie Funktionieren der Kontrollmechanismen zu überprüfen, damit eventuelle Fehlfunktionen erkannt werden können. Tägliche Überprüfung der Integrität des Filtersystems.

WARNUNGEN

- Dieses Gerät wurde so konzipiert, dass es von entsprechend geschulten Personen benutzt werden kann, insbesondere in Bezug auf die Reinigung und Wartung des Geräts, die Risiken, die sich aus dem abgesaugten Material und dessen ordnungsgemäßer Entsorgung ergeben, sowie den Austausch von Ersatzteilen gemäß den in den verschiedenen Ländern geltenden Richtlinien.
- Saugen Sie keine entflammaren, explosionsgefährdeten oder ätzenden Stoffe und keine glühende Asche auf. Diese Stoffe können die Sicherheit und den Betrieb des Gerätes beeinträchtigen.
- Stellen Sie das Netzkabel niemals auf scharfe Kanten, quetschen Sie es nicht und halten Sie es von den rotierenden Elektrobürsten fern.



Wenn das Stromkabel beschädigt ist, muss es durch den Hersteller oder ein zugelassenes technisches Servicezentrum oder auf jeden Fall durch eine Person mit ähnlicher Qualifikation ersetzt werden, um jegliches Risiko zu vermeiden.

- Verwenden Sie die Steckdose am Gerät nur für Zwecke, die in der Anweisungen.
- Für die Elektrowerkzeuge, die an die Steckdose des Staubsaugers angeschlossen werden, befolgen Sie die entsprechende Gebrauchsanweisungen.
- Bei Undichtigkeiten (Schaum oder Flüssigkeit) das Gerät sofort ausschalten.



GARANTIE

- Dieses Gerät darf nur in Innenräumen gelagert werden.
- Reinigen Sie den Sitz, auf dem der Sicherheitsschwimmer gleitet, häufig und überprüfen Sie ihn regelmäßig auf seine Unversehrtheit.
- Verwenden Sie das Gerät nicht, wenn das Filtersystem beschädigt ist.
- Die Staubklasse ‘M’ gilt nicht für das Saugen von Flüssigkeiten.

DENKEN SIE DARAN, DASS

- Falls potenziell gefährliche Stoffe mit den Augen oder der Haut in Kontakt kommen, spülen Sie mit Wasser aus und wenden Sie sich an ein Fachzentrum.
- Falls potenziell gefährliche Stoffe eingeatmet oder verschluckt wurden, rufen Sie einen Arzt. Verursachen Sie kein Erbrechen, um eine Kontamination der Lungen zu vermeiden; es wird empfohlen, den Mund zu spülen, ohne Wasser zu schlucken.
- Falls bei spontanem Erbrechen potenziell gefährliche Substanzen in die Lungen gelangt sein sollten, Transport ins Krankenhaus.

Der Hersteller lehnt jede Verantwortung für unsachgemäßen Gebrauch oder Nichtbeachtung der mitgelieferten Anweisungen, Manipulation und unangemessene Wartung des Geräts ab.



SYMBOLS

BESCHREIBUNG SYMBOLE ANWEISUNGEN



Lesen Sie
die Gebrauchsanweisung vor dem Gebrauch des Geräts.



Achtung
weist auf eine potentielle Gefahrensituation hin.



Hinweis
Warnung vor der ordnungsgemäßen Verwendung



Benutzerhandbuch
Gebrauchsanweisung

SCHLÜSSEL ZU DEN SYMBOLEN



Sockel für Elektrowerkzeuge



Anschluss für pneumatische Werkzeuge



Nass- und Trockensauger



“Funktion ‘Selbstreiniger’ Filter



Professionell



Gebläseanschluss



Industrie

TECHNISCHE SPEZIFIKATIONEN

	DV20	DV35	DV50
Versorgungsspannung	230/110 V~	230/110 V~	230/110 V~
Häufigkeit	50/60 Hz	50/60 Hz	50/60 Hz
Leistung	1200 W	1200 W	1200 W
Maximaler Luftstrom ca.	60 L/sec	60 L/sec	60 L/sec
Installierte Gesamtleistung (Vakuum + elektrische Werkzeuge)	230v = 3200 110v = 2200	230v = 3200 110v = 2200	230v = 3200 110v = 2200
Trommel aus			
Nennkapazität der Trommel	20	35	50
MAX Absaugung ca.	240 kPa	240 kPa	240 kPa
Motor-Isolationsklasse			
Geräte-Isolationsklasse	I	I	I
Schutzklasse	IPX4	IPX4	IPX4
Maximale Leistung vom Elektrowerkzeugsockel	(W) 230v = 2000 110v = 1000	(W) 230v = 2000 110v = 1000	(W) 230v = 2000 110v = 1000
Verzögerung nach der Ausführung	Yes	Yes	Yes
Automatischer Filterreinigungsmechanismus	Auto	Auto	Auto
Typ eines elektrischen Stromkabels	3G HO7RN-7	3G HO7RN-7	3G HO7RN-7
Verpackungsgröße ca.	400 x 400 x 540 mm	430 x 430 x 660 mm	480 x 480 x 735 mm
Gewicht des verpackten Geräts ca.	11.5 Kg	12 Kg	13.5 Kg
Gewicht des Geräts *	8.6 Kg	9 Kg	10 Kg
Konstanter und gewichteter Schalldruckpegel	< 68 ± 2 dB(A)	< 68 ± 2 dB(A)	< 68 ± 2 dB(A)

* Gewicht nach dem Verfahren EPTA 01/2003

ZUBEHÖR



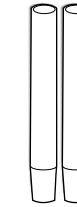
DV-ACC-113

ø36 mm flexibler Schlauch mit Multi-Durchmesser-Adapter für Elektrowerkzeuge



DV-ACC-112

ø45 mm flexibler Schlauch mit ergonomischem Greif- und Abwärtsflussvorrichtung



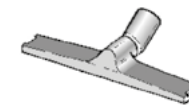
DV-ACC-115

Kunststoff-Verlängerungsstäbe



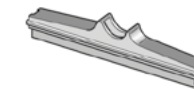
DV-ACC-104

Spalt-Werkzeug



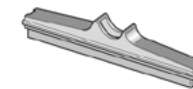
DV-ACC-114

Bodenleistegehäuse für kombinierte Bürste



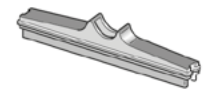
DV-ACC-102

Bodenleisteinsatz für Flüssigkeiten



DV-ACC-101

Bodenleisteinsatz für harte Böden



DV-ACC-100

Bodenleisteinsatz für Teppiche



DV-ACC-124

Adapter mit mehreren Durchmessern



DV-ACC-105

Dreieckiges Zubehör



DV-ACC-110

Rundpinsel.



DV-ACC-106

Schaumstofffilter zum Absaugen von Flüssigkeiten



DV-ACC-125

Kabelklemme für Elektrowerkzeug



DV-ACC-109

"Filterpatrone "IFA" Klasse "M". für DV 20/35/50



DV-ACC-111

Vorfilter



DV-ACC-302

Doppellagiger Vliesfilterbeutel "IFA" Klasse "M" für DV20



DV-ACC-107

Doppellagiger Papierfilterbeutel "IFA" Klasse "M" für DV35



DV-ACC-107

Doppellagiger Vliesfilterbeutel "IFA" Klasse "M" für DV35

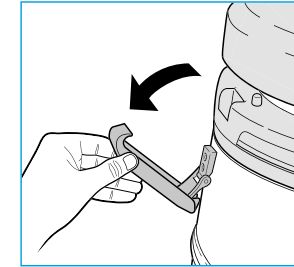
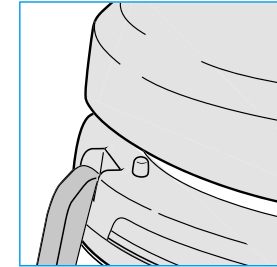


DV-ACC-107

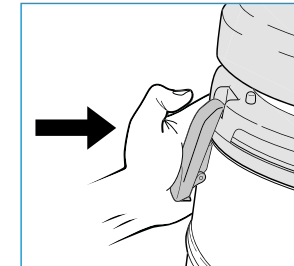
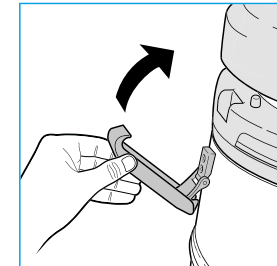
Doppellagiger Vliesfilterbeutel "IFA" Klasse "M" für DV35

BETRIEB

FREIGEBEN DER MOTOREINHEIT

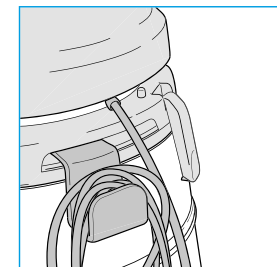


Zum Lösen der Motoreinheit.



Zum Nachrüsten der Motoreinheit.

SCHNURHAKEN (FALLS VORHANDEN)

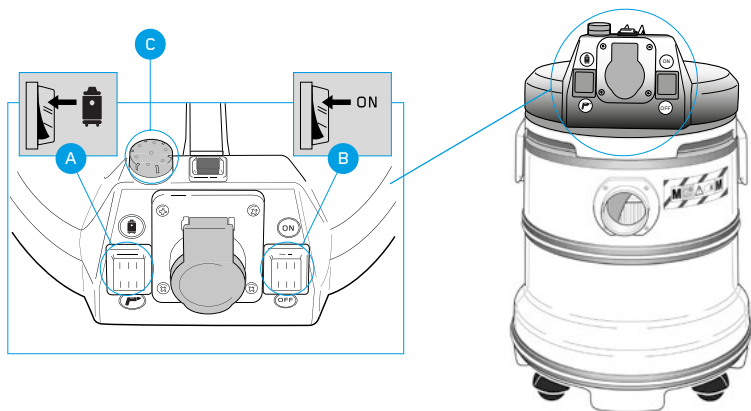


ZUR VERWENDUNG ALS NASS- ODER TROCKENSAUGER

Wahlschalter (A): in Stellung "MANUAL".

Netzschalter (B): Stellung "O" - Gerät aus / Stellung "I" - Gerät ein.

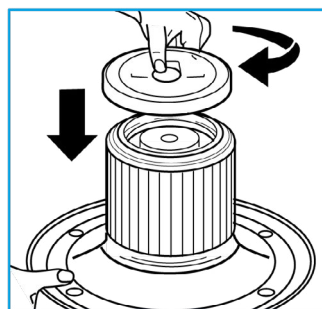
Warnleuchte (C): wenn das Filtersystem oder der flexible Schlauch verstopft ist, leuchtet die Warnleuchte auf.



ZUR VERWENDUNG ALS TROCKENES VAKUUM

Die Filterpatrone sollte immer verwendet werden.

Halten Sie die Filterpatrone sauber. Ersetzen Sie sie, wenn sie übermäßig verbacken oder verschlissen ist.



FILTERSYSTEME

VERWENDUNG DES FILTERS



Zum Absaugen von Staub der Klasse 'M' immer das Filterelement verwenden. Vermeiden Sie die Verwendung des Filters für scharfe oder feuchte Materialien.

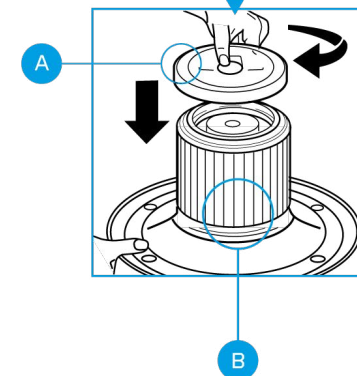
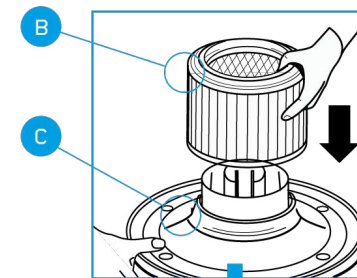
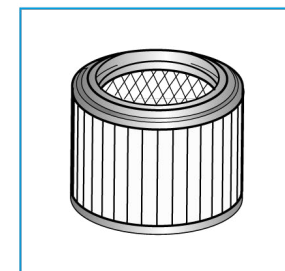
Setzen Sie den Filter (B) auf das Motorgehäuse (C).

Setzen Sie die Kunststoffscheibe (A) auf den Filter (B) auf.



Wir empfehlen dringend, diesen Filter beim Absaugen von Staub und Feststoffen zu verwenden; er kann zusammen mit dem Filterpapierbeutel verwendet werden. Dies trägt dazu bei, ein Verstopfen der Filtereinheit zu verhindern, und hat den Vorteil, dass der gesaugte Schmutz schnell und hygienisch entsorgt werden kann.

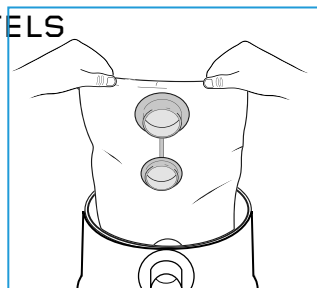
Vermeiden Sie die Verwendung zum Schneiden oder für feuchte Materialien.



VERWENDUNG DES STAUBBEUTELS

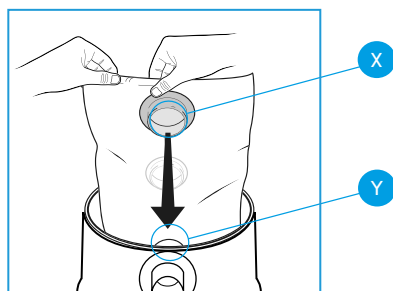


Verwenden Sie den Staubbeutel nur, wenn die Filterpatrone installiert ist. Zur Aufnahme von Staub der Klasse 'M' muss der Staubbeutel im Gerät installiert sein.



Setzen Sie den Papierfilterbeutel in die Abfalle Trommel ein.

Setzen Sie den Kunststoffflansch (X) in den Lufteinlassanschluss (Y) ein. Achten Sie darauf, den Beutel nicht zu beschädigen.



Verwenden Sie den Beutel, um Schmutz hygienischer zu entfernen.

WECHSELN DES STAUBBEUTELS

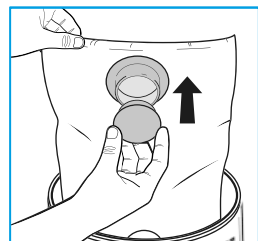
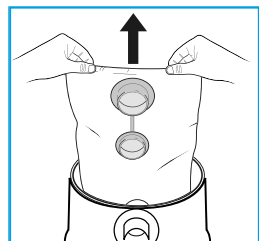
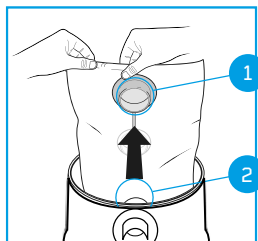


Entsorgen Sie den Beutel in Übereinstimmung mit den in Ihrem Land geltenden Sondermüllentsorgungsvorschriften

Die Papiertüte darf nie wieder verwendet, sondern nur ersetzt werden.

Entfernen Sie den Plastikflansch (1) vom Lufteinlassanschluss (2) und nehmen Sie den vollen Beutel heraus.

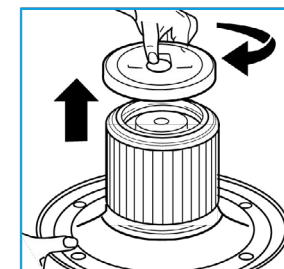
Verschließen Sie den Plastikflansch mit der mitgelieferten Kappe.



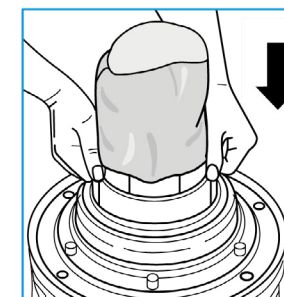
FOR USE AS A WET VACUUM



Entfernen Sie immer die Filterpatrone und den Papierfilterbeutel, falls vorhanden. Verwenden Sie den Schaumstofffilter. Der Schaumstofffilter ist nicht zum Aufsaugen von Staub der Klasse 'M' geeignet.

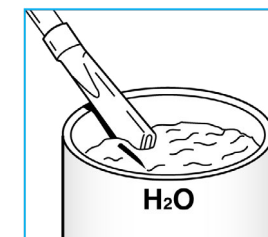


Wenn die abgesaugten Flüssigkeiten den maximalen Füllstand in der Trommel erreichen, wird die Absaugung automatisch durch den Sicherheitsschwimmer unterbrochen. Der Benutzer wird durch eine Erhöhung der Motordrehzahl und das Ausbleiben der Absaugung alarmiert. Schalten Sie das Gerät sofort aus und entleeren Sie die Trommel.



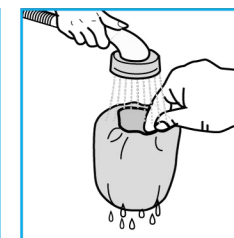
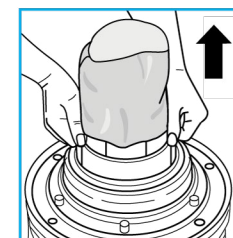
ABSAUGEN GROSSER FLÜSSIGKEITSMENGEN

Um einen teilweisen Luftstrom zu gewährleisten, stellen Sie sicher, dass das Spaltwerkzeug niemals vollständig untergetaucht ist.



REINIGUNG DES SCHAUMS FILTERN

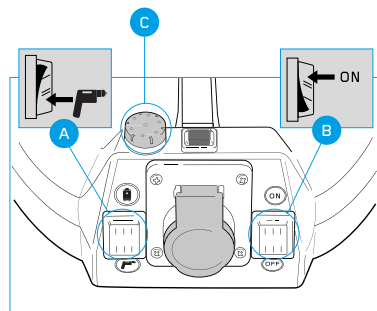
Spülen Sie den Schaumstofffilter mit Wasser aus. Verwenden Sie KEIN Reinigungsmittel. Ersetzen Sie ihn, wenn er verschlissen oder gerissen ist.



FUNKTION 'SELBSTREINIGENDER FILTER'

Wenn sich Schalter (B) in Position "I" befindet und Schalter (A) auf die Position "AUTOMATISCH" gestellt ist, ist die Selbstreinigungsfunktion aktiviert.

Wenn das Gerät ausgeschaltet wird, läuft es 8/10 Sekunden lang weiter, dann beginnt die selbstreinigende Filterfunktion.



Wenn der Schalter 'A' gesetzt ist auf MANUAL ist die Funktion Selbstreinigender Filter nicht aktiv.

HANDBUCH 'SELBSTREINIGENDER FILTER'

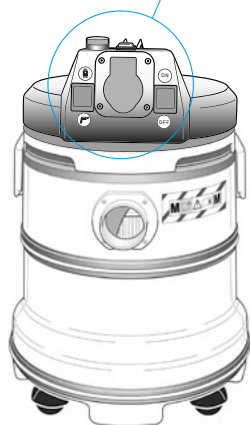
Warnleuchte (C) leuchtet: die Funktion "Selbstreinigender Filter" manuell starten; den orangen Schalter (E) drücken.

Zur korrekten Reinigung des Filterelements folgen Sie den Anweisungen auf Seite 52

Ein Dauerbetrieb des Systems "Selbstreinigender Filter" von mehr als 60 Sekunden kann zum Auslösen des Thermoschutzschalters führen.



Wenn die Luftgeschwindigkeit auf unter 20 m/sec. sinkt, leuchtet die Warnleuchte auf (gemäß IEC/EN 60335-2-69)



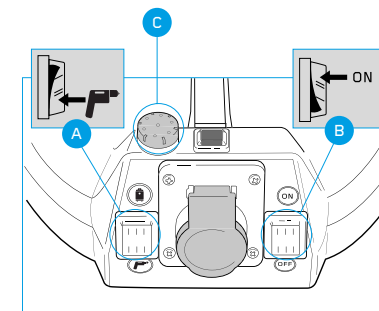
ELEKTROWERKZEUGE

ZUR VERWENDUNG MIT ELEKTROWERKZEUG

Wahlschalter (A): in Stellung "AUTOMATIK".

Netzschalter (B): in Stellung "I" - Gerät eingeschaltet.

Das Gerät läuft synchron mit dem Elektrowerkzeug.



ANSCHLIESSEN EINES ELEKTROWERKZEUGS AN DEN STAUBSAUGER

Stecken Sie das Elektrowerkzeug in die Buchse an der Motoreinheit (A)
Schließen Sie das Vakuum an die Stromversorgung an (B).

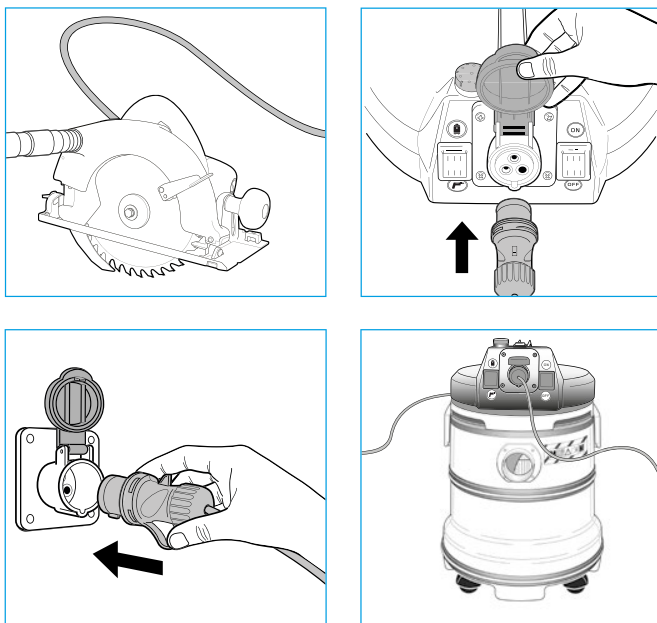
Die Steckdose eignet sich für den Anschluss von Elektrowerkzeugen mit einer maximal zulässigen Leistung wie auf Seite 38 angegeben - Technische Daten

Schließen Sie **NIEMALS** Elektrowerkzeuge mit einer höheren Leistung an

NIEMALS mehr als ein Elektrowerkzeug in die Buchse an der Motoreinheit stecken

Stecken Sie das Elektrowerkzeug ein, dann das Vakuum. Befestigen Sie das Kabel des Elektrowerkzeugs mit der Kabelklemme am flexiblen Schlauch.

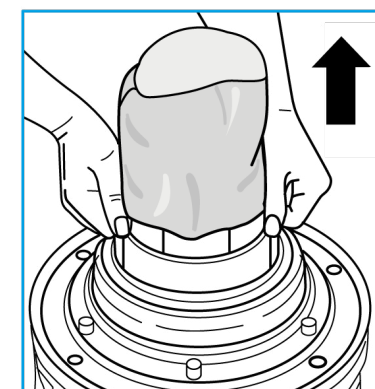
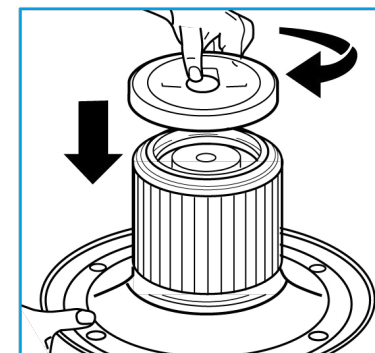
Schalten Sie das Gerät ein.



EIN ELEKTROWERKZEUG MIT DEM VAKUUM ZU BENUTZEN

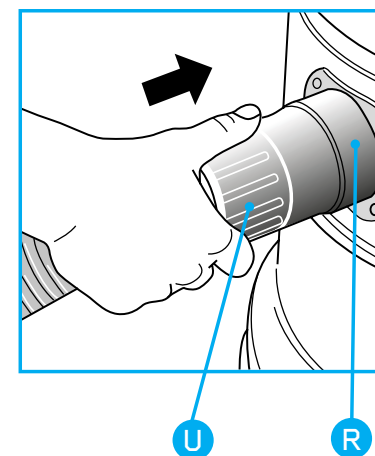
 Die Filterpatrone sollte immer angebracht sein. Entfernen Sie den Schaumstofffilter, falls installiert.

Halten Sie das Filtersystem immer in gutem Betriebszustand, um einen effizienten Betrieb zu gewährleisten. Wir empfehlen, die Filterpatrone häufig zu reinigen, wie auf Seite 52 dargestellt.

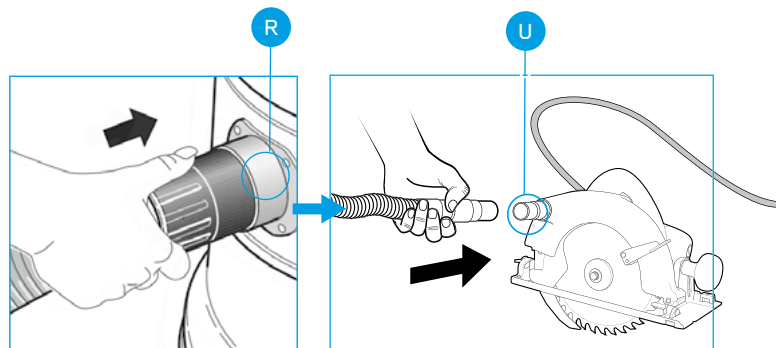


ANSCHLUSS AN DEN FLEXIBLEN SCHLAUCH

Bringen Sie den Anschluss des flexiblen Schlauchs (U) am Lufteinlassanschluss (R) an.

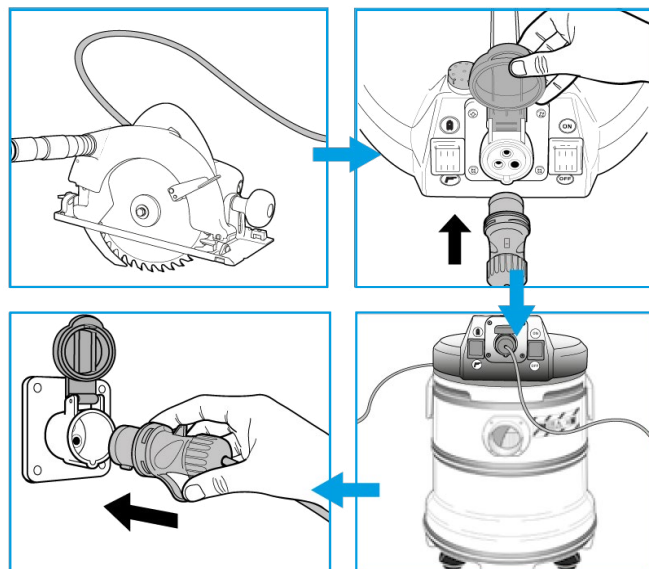


Führen Sie die Muffe des flexiblen Schlauchs in den Lufteinlassanschluss (R) und den Adapter (U) in den Staubförderer des Elektrowerkzeugs ein.



Stecken Sie das Elektrowerkzeug ein, dann das Vakuum. Befestigen Sie das Kabel des Elektrowerkzeugs mit der Kabelklemme am flexiblen Schlauch.

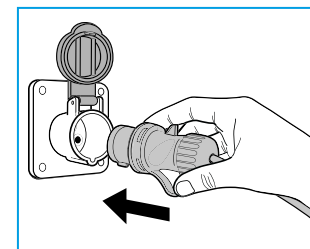
Schalten Sie das Gerät ein.



WARTUNG



Ziehen Sie immer den Netzstecker des Geräts aus der Steckdose, bevor Sie das Filtersystem in irgendeiner Weise reinigen oder warten.



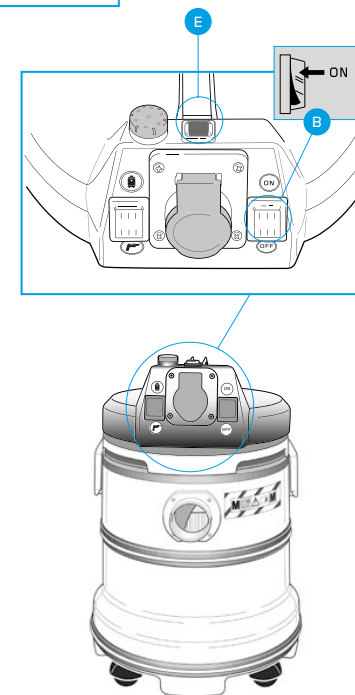
FILTERPATRONE

Um die Funktion "Selbstreinigender Filter" manuell zu starten, drücken Sie den orangefarbenen Schalter (E) maximal 15÷20 Sekunden lang. Dann den Schalter (E) 15 Sekunden lang loslassen; die Spule muss abkühlen. Die Spule, die das System "Selbstreinigender Filter" aktiviert, ist mit einem Thermoschutzschalter ausgestattet.

Ein kontinuierlicher Betrieb des Systems für mehr als 60 Sekunden kann ein Auslösen des Thermoschutzschalters verursachen.

Das System wird nach etwa 20 Minuten zurückgesetzt.

Schalter "A" auf "MANUAL"= Selbstreinigende Filterfunktion nicht aktiv (siehe Seite 46)



REINIGUNG DES FILTERS

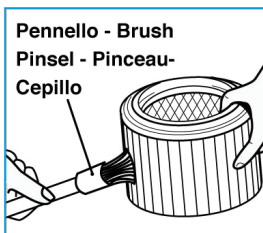
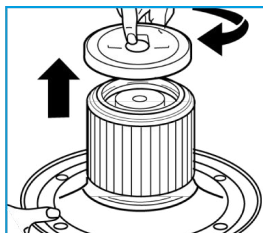
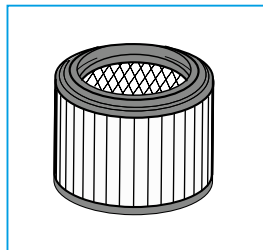
Um die Filterpatrone gründlich zu reinigen, waschen Sie sie wie in der Abbildung gezeigt.

Bevor Sie die Filterpatrone wieder einsetzen, vergewissern Sie sich, dass sie vollständig trocken ist.

Tauschen Sie die Filterpatrone nur bei Verschleiß aus.

Entsorgen Sie das Filterelement in Übereinstimmung mit den in den verschiedenen Ländern geltenden Sondermüllentsorgungsvorschriften.

Das Filterelement darf nur gereinigt und gewaschen werden, wenn Staub der allgemeinen und nicht der Klasse 'M' abgesaugt wurde.



Behandeln Sie die Filterpatrone vorsichtig, wenn sie nass ist.



Verwenden Sie keinen Filter, der gewaschen wurde, um Staub der Klasse 'M' abzusaugen.

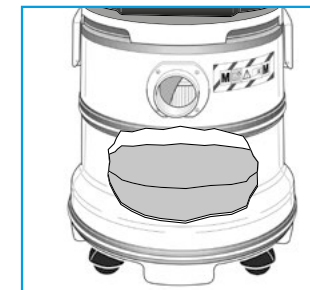
REINIGUNG DER TROMMEL

Nach dem Absaugen von Flüssigkeiten ist die Trommel zu entleeren und zusammen mit dem Zubehör zu spülen, um die Bildung von Kesselstein zu verhindern.

Waschen Sie häufig den Sitz, auf dem der Sicherheitsschwimmer gleitet, um seine ordnungsgemäße Funktion zu gewährleisten.

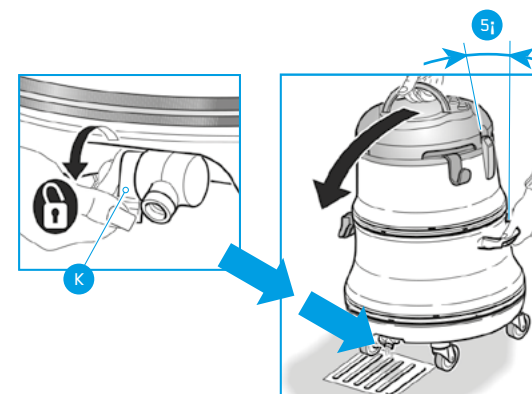
Vor dem erneuten Aufsaugen von Staub der Klasse 'M' sicherstellen, dass das Filterelement und der Beutel montiert sind.

Waschen Sie die Trommel nach jedem Gebrauch.



NUR MODELL DV50

Öffnen Sie den Flüssigkeitsauslasshahn (K). Um den Behälterbehälter vollständig zu entleeren, kippen Sie ihn um 5° wie in der Abbildung dargestellt.





FEHLERBEHEBUNG

Probleme	Ursachen	Lösungen
Das Gerät wird nicht starten	Keine Macht Defektes Netzkabel, Schalter oder Motor.	Prüfen Sie, ob die Steckdose funktioniert Wenden Sie sich an Ihr technisches Dienstleistungszentrum (siehe beigefügte Liste).
Ermäßigt Effizienz	Trommel zu voll Filterpatrone ist verschmutzt oder verbacken. Rohr oder Zubehör ist verstopft.	Leere Trommel Reinigen Sie den Filter gründlich oder wechseln Sie ihn aus, Überprüfen Sie den Schlauch oder das Zubehör.
Die Drehzahl des Motors ist merklich höher.	Trommel zu voll. Filterpatrone ist verschmutzt oder verkrustet. Rohr oder Zubehör verstopft.	Prüfen Sie die Trommel. Reinigen Sie den Filter gründlich oder wechseln Sie ihn aus, Überprüfen Sie den Schlauch oder das Zubehör.
Das Gerät startet nicht im "Elektrowerkzeug"-Modus.	Defekte Leiterplatte.	Wenden Sie sich an Ihr technisches Servicezentrum (siehe beigefügte Liste).



Entsorgen Sie keine Elektrogeräte mit Hausmüll!

In Übereinstimmung mit der Europäischen Richtlinie 2012/19/EU über Elektro- und Elektronik-Altgeräte (WEEE) und deren Umsetzung in nationales Recht müssen Elektrowerkzeuge, die das Ende ihres Lebenszyklus erreicht haben, getrennt gesammelt und einer umweltverträglichen Recyclinganlage zugeführt werden.

"EC"-ERKLÄRUNG VON KONFORMITÄT

Der Hersteller erklärt, dass die in dieser Anleitung beschriebenen Produkte

MV DV20 MB | MV DV35 MB | MV DV50 MB

Erfüllen Sie die wesentlichen Anforderungen der europäischen Richtlinien:

2014/35 / EU 2014/30 EU 2011/65 / EU

und mit den Normen übereinstimmt

EN 60335-1: 2012 + A11: 2014
EN 60335-2-69:2012
EN 62233: 2008
EN 55014-1: 2006 + A1: 2009 + A2: 2011
EN 55014-2: 2015
EN 61000-3-2: 2014
EN 61000-3-3: 2014

Diese Erklärung wurde im Oktober 2016 verfasst.

NEDERLAND

INSTRUCTIE HANDLEIDING

WAARSCHUWINGEN	57
BESCHRIJVINGSSYMBOLEN INSTRUCTIES	63
KEY TO SYMBOLS	63
TECHNISCHE SPECIFICATIES	64
TOEGANGSMAATREGELEN	65
WERKING	67
FILTERSYSTEMEN	69
ELEKTRISCH GEREEDSCHAP	73
ONDERHOUD	77
HET OPLOSSEN VAN PROBLEMEN	80
EU-VERKLARING VAN OVEREENSTEMMING	81

WAARSCHUWINGEN



De in deze handleiding beschreven apparaten zijn geschikt voor:

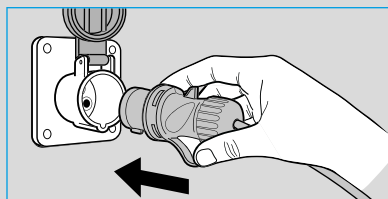
- Stof en vloeistoffen opzuigen.
- Professioneel gebruik (bijv. hotels, scholen, ziekenhuizen, fabrieken, winkels, kantoren en verhuurbedrijven).
- De 'M'-categorie is geschikt voor de scheiding van droge poeders (zolang ze niet explosief, ontvlambaar en/of kankerverwekkend zijn) met een maximale doorlaatbaarheid <math><0,1\%</math> en MAC (Maximum Allowable Concentration) $\geq 0,1\text{mg}/\text{m}^3$.

Bewaar deze handleiding zorgvuldig.

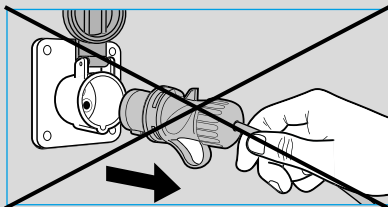
- Een elektrisch apparaat is geen speelgoed. Gebruik en bewaar het buiten het bereik van kinderen. Kinderen moeten onder toezicht staan om er zeker van te zijn dat ze niet met het apparaat spelen.
- Houd de verpakkingsonderdelen (kartonnen doos, PSE-beschermingen, enz.) buiten het bereik van kinderen.
- Dit apparaat is niet ontworpen voor gebruik door personen (inclusief kinderen) met verminderde fysieke, zintuiglijke en mentale vermogens, of die deze gebruiksaanwijzing niet eerst hebben gelezen.
- Dit apparaat is ontworpen om uitsluitend met wisselstroom te werken. Controleer voor het starten van het apparaat of de netspanning overeenkomt met de op het gegevensplaatje aangegeven spanning.



- Controleer of de elektrische installatie is uitgerust met een differentieerschakelaar (type automatische uitschakeling).
- Gebruik alleen een verlengkabel als deze in perfecte staat is en zorg ervoor dat de doorsnede geschikt is voor het vermogen van het apparaat plus het vermogen van het elektrische gereedschap.
- Laat het apparaat nooit onbeheerd draaien.
- Als de afvoerlucht weer in de werkomgeving terechtkomt, moet deze een toereikende klasse “M” luchtverversingsindex. Om de vereiste limiet in acht te nemen waarden, mag de luchthoeveelheid maximaal 50% van de verse luchtstroom zijn (volume van het milieu VR door luchtuitwisselingsindex LW). Voldoen ook aan de regelgeving die van kracht is.
- Activeer de functie “zelfreinigend filter” gedurende maximaal 60 seconden.



- Sluit het apparaat alleen aan op stopcontacten met een minimumcapaciteit van 10A om de stroomtoevoer te activeren.



- Trek niet aan het netsnoer of het apparaat om de stekker uit het stopcontact te trekken.

Risico om te vallen:

DKlim niet op het deksel van het apparaat en ga er niet op zitten.



WAARSCHUWINGEN

- Wikkel de stroomkabel volledig af voordat u het apparaat start.
- Richt de zuigslang niet op oren, ogen, haren, personen of dieren in het algemeen.
- Tijdens het transport van het apparaat moet de motor uitgeschakeld zijn. Zorg er ook voor dat het apparaat geen stof in de omgeving kan verspreiden en dat het in een stabiele positie staat.
- Schakel de machine uit in geval van hoge stofuitstoot, brand of rook. Gebruik van het apparaat is alleen toegestaan nadat het is gecontroleerd en gerepareerd door een bevoegd persoon.
- Trek altijd de stekker uit het stopcontact direct na gebruik en voordat u het apparaat reinigt of onderhoudt.
- Reparaties mogen alleen worden uitgevoerd door specialisten die de originele, door de fabrikant geleverde reserveonderdelen bewaren.
Het zelf repareren van het apparaat kan zeer gevaarlijk zijn.

Gebruik het apparaat nooit:

- Als je handen nat of vochtig zijn;
- Als het is gevallen en duidelijke schade of storingen vertoont;
- Als de voedingskabel of de stekker defect is.



Reinig het apparaat alleen met water.
Gebruik geen trichloorethyleen,
oplosmiddelen of schuurmiddelen.

- In overeenstemming met de geldende voorschriften moeten apparaten die moeten worden weggegooid, onbruikbaar worden gemaakt door de stroomkabel door te knippen voordat ze worden weggegooid.
- Het apparaat moet worden gedecontamineerd met behulp van een stofzuiger en schoongeveegd of met kit worden behandeld voordat het uit een gevaarlijke omgeving wordt gehaald. Alle andere onderdelen van het apparaat moeten als verontreinigd worden beschouwd wanneer ze uit de gevaarlijke zone worden verwijderd en er moeten passende maatregelen worden genomen om te voorkomen dat het stof zich verspreidt.
- Tijdens de reiniging en het onderhoud wordt aanbevolen om altijd persoonlijke beschermingsmiddelen (handschoenen en masker) te dragen, zoals vereist door de geldende nationale regelgeving.
- Alvorens verder te gaan met het onderhoud wordt ten eerste aanbevolen het apparaat eerst te ontsmetten door enkele minuten schone lucht op te zuigen en het aan de buitenkant te reinigen.
- Onderhoud en reiniging moeten worden uitgevoerd in een ruimte met voldoende ventilatie en op een manier die de bedieners of andere personen niet in gevaar brengt.
- Reinig de plaats waar het onderhoud wordt uitgevoerd om te voorkomen dat gevaarlijke stoffen in het milieu terechtkomen.
- Tijdens het onderhoud, de reparatie en de verwijdering moeten alle verontreinigde onderdelen van het apparaat die niet volledig kunnen worden gereinigd, worden verwijderd; doe ze in ondoordringbare zakken volgens de geldende nationale voorschriften voor de verwijdering van speciaal afval.
- Voor een correcte verwijdering is het raadzaam om op de ondoordringbare zak aan te geven welke stoffen zijn opgezogen.
- Het wordt aanbevolen om het apparaat ten minste eenmaal per jaar aan een technische inspectie te onderwerpen om te controleren of de afdichtingen dicht zijn en of de controlemechanismen goed functioneren, zodat eventuele storingen kunnen worden opgespoord. Controleer dagelijks de integriteit van het filtersysteem.

WAARSCHUWINGEN

- Dit apparaat is ontworpen voor gebruik door voldoende geschoolde personen, met name voor de reiniging en het onderhoud van het apparaat, de risico's die voortvloeien uit gestofzuigde materialen en de correcte verwijdering ervan, en de vervanging van reserveonderdelen volgens de richtlijnen die van kracht zijn in de verschillende landen.
- Zuig geen brandbare, potentieel explosieve of corrosieve stoffen en gloeiende as op. Deze stoffen kunnen de veiligheid en de werking van het apparaat in gevaar brengen.
- Leg het netsnoer nooit op scherpe randen, verpletter het niet en houd het uit de buurt van de roterende elektrische borstels.



Als de voedingskabel beschadigd is, moet deze worden vervangen door de fabrikant of een erkend technisch servicecentrum of in ieder geval door een persoon met een soortgelijke kwalificatie om elk risico te voorkomen.

- Gebruik de wandcontactdoos op de machine alleen voor de doeleinden die in de instructies.
- Voor het elektrisch gereedschap dat op het stopcontact van de stofzuiger is aangesloten, volgt u de instructies van de fabrikant.
relatieve gebruiksinstructies.
- Schakel het apparaat bij lekkages (schuim of vloeistof) onmiddellijk uit.



LET OP:

- Deze machine mag alleen binnenshuis worden opgeslagen.
- Maak de stoel waar de veiligheidsdrijver schuift regelmatig schoon en inspecteer deze regelmatig om de integriteit ervan te controleren.
- Gebruik het apparaat niet als het filtersysteem beschadigd is.
- Stofklasse 'M' is niet van toepassing bij het zuigen van vloeistoffen.

VERGEET NIET DAT

- In geval van potentieel gevaarlijke stoffen die in contact komen met de ogen of de huid, spoel ze af met water en raadpleeg een gespecialiseerd centrum.
- In geval van potentieel gevaarlijke stoffen die zijn ingeademd of ingeslikt, moet u een arts raadplegen. Laat u niet overgeven om besmetting van de longen te voorkomen; het wordt aanbevolen om uw mond te spoelen zonder water in te slikken.
- Als er bij spontaan braken potentieel gevaarlijke stoffen in de longen zijn gekomen, moet u deze naar het ziekenhuis vervoeren.

De fabrikant wijst alle verantwoordelijkheid af voor oneigenlijk gebruik of het niet opvolgen van de bijgeleverde instructies, voor het knoeien met het apparaat en voor onvoldoende onderhoud.



SYMBOLEN

BESCHRIJVINGSSYMBOLLEN INSTRUCTIES



Lees
de instructies
voor het
gebruik van het
apparaat.



De aandacht
wijst op een
potentieel
gevaarlijke
situatie.



Noot:
waarschuwing
voor correct
gebruik



Bedieningshan-
dleiding
Gebruiksaanwi-
jzing

SLEUTEL TOT SYMBOLEN



Stopcontact
voor elektrisch
gereedschap



Aansluiting voor
pneumatisch
gereedschap



Nat- &
droogzuiger



"Zelfreinigend
filter" functie



Professioneel



Blower
aansluiting



Industrieel

TECHNISCHE SPECIFICATIES

	DV20	DV35	DV50
Voedingsspanning	230/110 V~	230/110 V~	230/110 V~
Frequentie	50/60 Hz	50/60 Hz	50/60 Hz
Machtsclassificatie	1200 W	1200 W	1200 W
Maximale luchtstroom ca.	60 L/sec	60 L/sec	60 L/sec
Totaal geïnstalleerd vermogen (vacuüm + elektrisch gereedschap)	230v = 3200 110v = 2200	230v = 3200 110v = 2200	230v = 3200 110v = 2200
Trommel gemaakt van			
Nominale trommelinhoud	20	35	50
MAX-zuiging ca.	240 kPa	240 kPa	240 kPa
Motorisolatieklasse			
Toestel-isolatieklasse	I	I	I
Bescherming	IPX4	IPX4	IPX4
Maximaal vermogen uit stop-contacten voor elektrisch gereedschap	(W) 230v = 2000 110v = 1000	(W) 230v = 2000 110v = 1000	(W) 230v = 2000 110v = 1000
Vertraging na afloop	Yes	Yes	Yes
Automatisch filterreinigings-mechanisme	Auto	Auto	Auto
Type elektrische voedingskabel	3G HO7RN-7	3G HO7RN-7	3G HO7RN-7
Verpakkingsgrootte ca.	400 x 400 x 540 mm	430 x 430 x 660 mm	480 x 480 x 735 mm
Gewicht van het verpakte apparaat ca.	11.5 Kg	12 Kg	13.5 Kg
Gewicht van het apparaat *	8.6 Kg	9 Kg	10 Kg
Constant en gewogen geluids-druk-niveau	< 68 ± 2 dB(A)	< 68 ± 2 dB(A)	< 68 ± 2 dB(A)

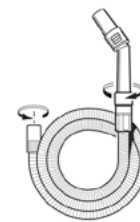
* Gewicht overeenkomstig de procedure EPTA 01/2003

ACCESSORIES



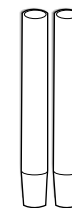
DV-ACC-113

ø36 mm flexibele slang met multi-diameter adapter voor elektrisch gereedschap



DV-ACC-112

ø45 mm flexibele slang met ergonomische Grip en downflow-apparaat



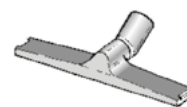
DV-ACC-115

Kunststof verlengstukken



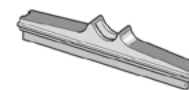
DV-ACC-104

Spleetmiddel



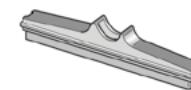
DV-ACC-114

Vloerbeugel-behuizing voor gecombineerde borstel



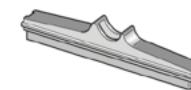
DV-ACC-102

Vloerstaafinzet voor vloeistoffen



DV-ACC-101

Vloerstaafinzet voor harde vloeren



DV-ACC-100

Vloerstaafinzet voor tapijten



DV-ACC-124

Multi-diameter adapter



DV-ACC-105

Driehoekig accessoire



DV-ACC-110

Ronde borstel.



DV-ACC-106

Schuimfilter voor het zuigen van vloeistoffen



DV-ACC-125

Klem voor het netsnoer van het gereedschap



DV-ACC-109

"IFA"-filterpatroon Klasse "M" voor DV 20/35/50



DV-ACC-111

Voorfilter



DV-ACC-302

Dubbellaagse fleecfilterzak "IFA" Klasse "M" voor DV20



DV-ACC-107

Dubbellaagse papieren filterzak "IFA" Klasse "M" voor DV35



DV-ACC-107

Dubbellaagse fleecfilterzak "IFA" Klasse "M" voor DV35

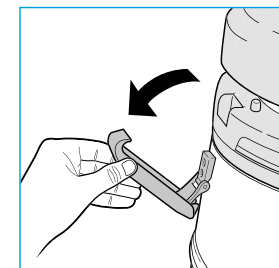
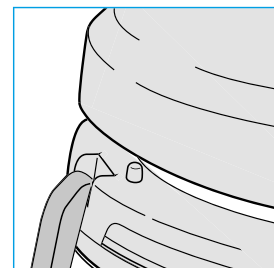


DV-ACC-107

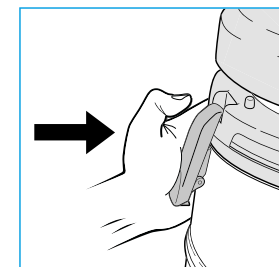
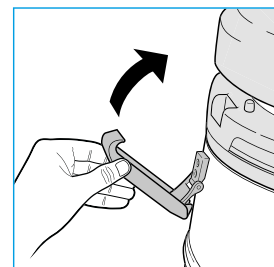
Dubbellaagse fleecfilterzak "IFA" Klasse "M" voor DV35

WERKING

HET VRIJGEVEN VAN DE MOTOREENHEID

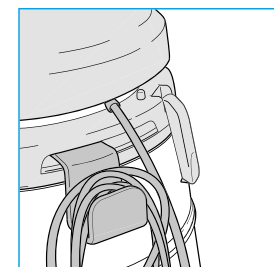


Om de motoreenheid te ontgrendelen.



Om de motoreenheid opnieuw te monteren.

KOORDHAAK (INDIEN AANWEZIG)

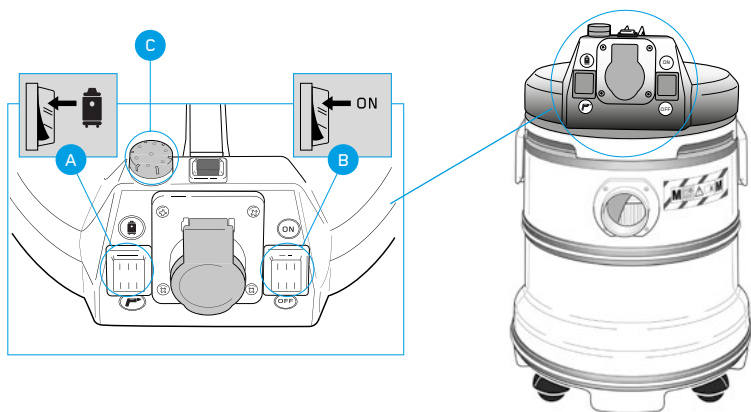


VOOR GEBRUIK ALS NAT- OF DROOGZUIGER

Keuzeschakelaar (A): in de stand "HAND".

Stroomschakelaar (B): stand "O" - Toestel uit / stand "I" - Toestel aan.

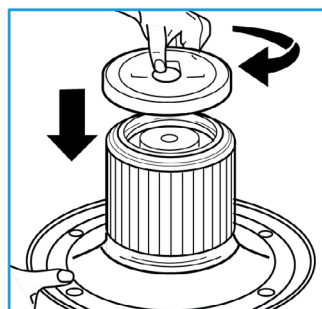
Waarschuwinglampje (C): als het filtersysteem of de flexibele slang verstopt is, gaat het waarschuwinglampje branden.



VOOR GEBRUIK ALS DROOG VACUÛM

Het filterpatroon moet **ALTIJD** worden gebruikt.

Houd het filterpatroon schoon. Vervang het als het te hard is aangekoekt of versleten.



FILTRATIESYSTEMEN

MET BEHULP VAN HET FILTER



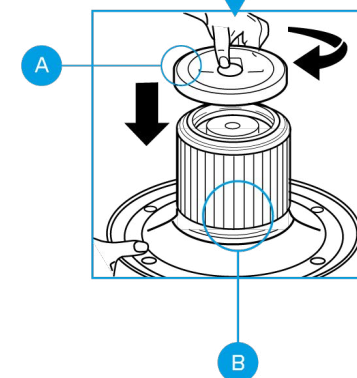
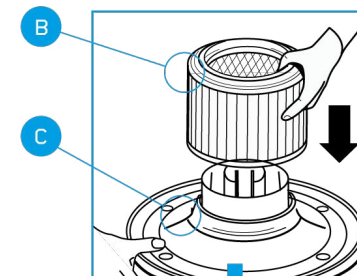
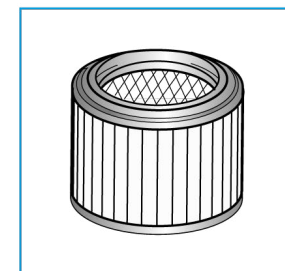
Om stof van klasse 'M' op te zuigen, moet u altijd het filterelement gebruiken. Vermijd het gebruik van het filter voor scherpe of vochtige materialen.

Plaats het filter (B) op het motorhuis (C).

Plaats de plastic schijf (A) op het filter (B).



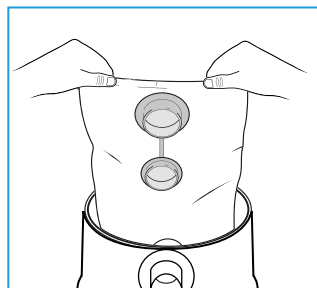
We raden het gebruik van deze filter sterk aan bij het opzuigen van stof en vaste stoffen; deze kan samen met de filterpapierzak worden gebruikt. Dit helpt verstopping van de filterunit te voorkomen en heeft het voordeel dat het gestofzuigd vuil snel en hygiënisch wordt afgevoerd. Vermijd het gebruik ervan voor het snijden of voor vochtige materialen.



GEBRUIK VAN DE STOFZAK

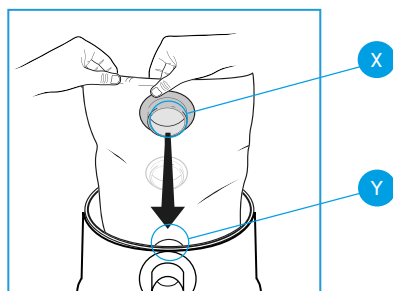


Gebruik de stofzak alleen als het filterpatroon is geïnstalleerd. Om stof van klasse 'M' op te vangen moet de stofzak in het apparaat worden geïnstalleerd.



Plaats de papieren filterzak in de afvaltrommel.

Plaats de plastic flens (X) in de luchtinlaataansluiting (Y). Let op dat u de zak niet beschadigt.



Gebruik de zak om het vuil hygiënischer te verwijderen.

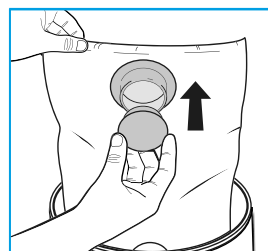
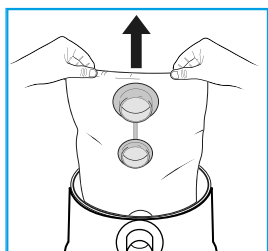
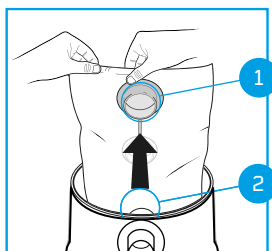
HET VERVANGEN VAN DE STOFZAK



De tas mag niet worden hergebruikt en moet altijd worden vervangen.

Gooi de zak weg in overeenstemming met de speciale afvalverwijderingsvoorschriften die in uw land van kracht zijn.

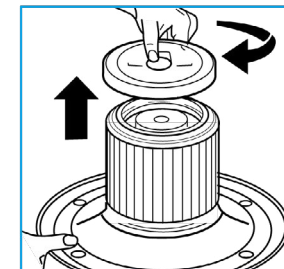
Verwijder de plastic flens (1) van de luchtinlaataansluiting (2). Verwijder de volle zak. Sluit de plastic flens met de meegeleverde dop.



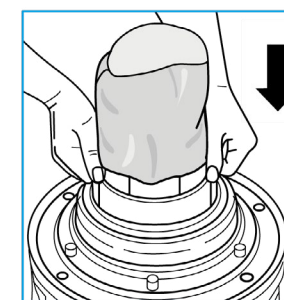
VOOR GEBRUIK ALS EEN NAT VACUUM



Verwijder altijd het filterpatroon en de papieren filterzak, indien aanwezig. Gebruik het schuimfilter. Het schuimfilter is niet geschikt voor het opzuigen van klasse 'M' stof.

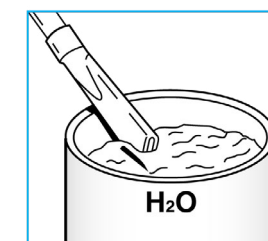


Wanneer de opgezogen vloeistoffen het maximale niveau in de trommel bereiken, wordt de afzuiging automatisch afgesneden door de veiligheidsvlotter. De gebruiker wordt gewaarschuwd door een verhoging van het toerental van de motor en het gebrek aan zuiging. Schakel het apparaat onmiddellijk uit en maak de trommel leeg.



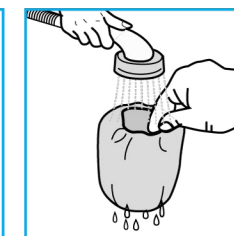
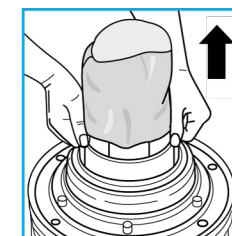
HET OPZUGEN VAN GROTE HOEVEELHEDEN VLOEISTOF

Om een gedeeltelijke luchtstroom te garanderen, moet u ervoor zorgen dat het spleetgereedschap nooit volledig ondergedompeld is.



HET SCHOONMAKEN VAN HET SCHUIM FILTER

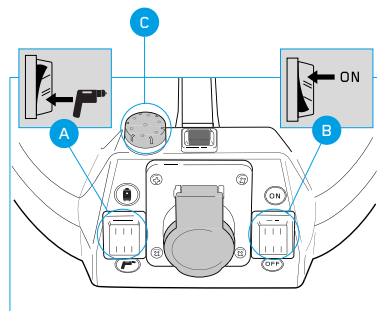
Spoel het schuimfilter af met water. Gebruik **GEEN** reinigingsmiddel. Vervang het filter als het versleten of gescheurd is.



FUNCTIE 'ZELFREINIGEND FILTER

Met schakelaar (B) in stand "I", wanneer schakelaar (A) in de stand "AUTOMATISCH" staat, wordt de zelfreinigende filterfunctie geactiveerd.

Als het apparaat is uitgeschakeld, zal het 8/10 seconden blijven draaien, waarna de zelfreinigende filterfunctie begint.



Wanneer de schakelaar 'A' is ingesteld om de zelfreinigende filterfunctie te MANUALEN is niet actief.

HANDLEIDING 'ZELFREINIGEND FILTER

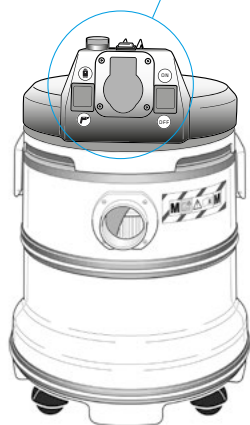
Waarschuwingslicht (C) aan:
Start de functie "Zelfreinigend filter" handmatig; druk op de oranje schakelaar (E).

Voor een goede reiniging van het filterele 78.

Als het "zelfreinigende filter" langer dan 60 seconden in werking blijft, kan de thermische beveiligingsschakelaar worden uitgeschakeld.



Als de luchtsnelheid tot onder de 20 m/sec. daalt, gaat het waarschuwingslampje branden (volgens IEC/EN 60335-2-69).



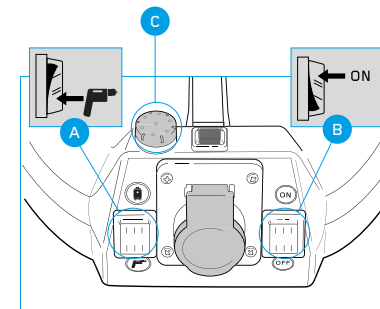
ELEKTRISCH GEREEDSCHAP

VOOR GEBRUIK MET ELEKTRISCH GEREEDSCHAP

Keuzeschakelaar (A): in de stand "AUTOMATISCH".

Stroomschakelaar (B): stand "I" -
Toestel aan.

Het apparaat loopt synchroon met het elektrisch gereedschap.



AANSLUITING VAN EEN ELEKTRISCH GEREEDSCHAP OP DE STOFZUIGER

Steek het elektrisch gereedschap in de aansluiting op de motoreenheid (A).
Steek de stekker van de stofzuiger in de voeding (B).

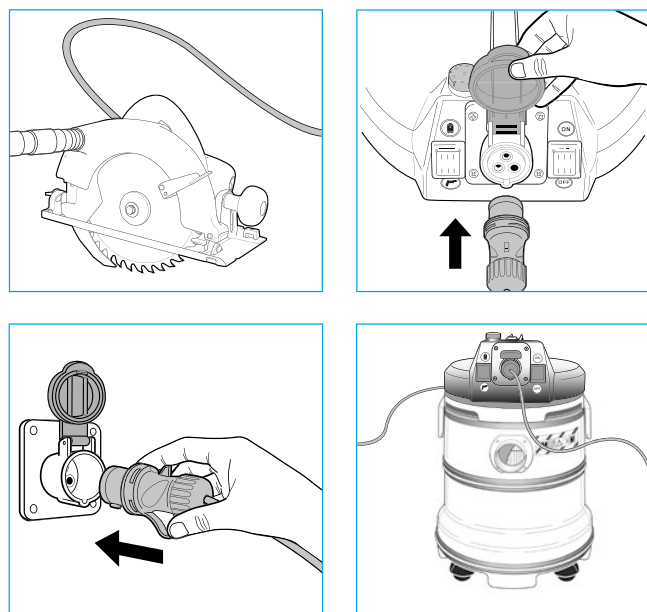
Het stopcontact is geschikt voor het aansluiten van elektrisch gereedschap met een maximaal toegestaan vermogen zoals aangegeven op pagina 64 Technische gegevens

Steek **NOOIT** elektrisch gereedschap met een hoger vermogen in het stopcontact

Steek **NOOIT** meer dan één elektrisch gereedschap in het stopcontact van de motoreenheid.

Steek de stekker in het stopcontact en vervolgens in de stofzuiger. Bevestig de kabel van het elektrisch gereedschap met de kabelklem aan de flexibele slang.

Zet het apparaat aan.

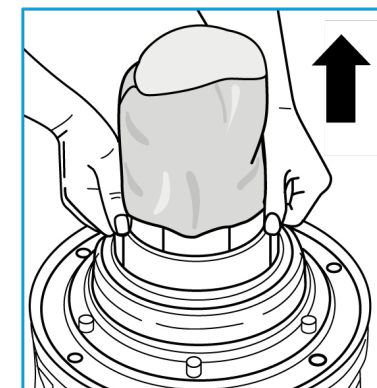
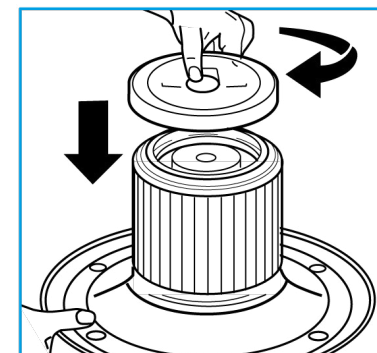


OM EEN ELEKTRISCH GEREEDSCHAP TE GEBRUIKEN MET HET VACUÛM



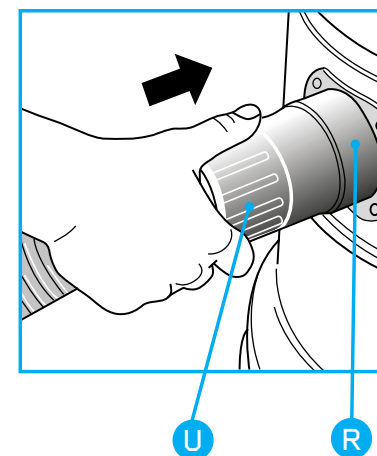
Het filterpatroon moet altijd worden bevestigd. Verwijder de schuimrubberen filter indien deze is aangebracht.

Houd het filtersysteem altijd in goede staat om een efficiënte werking te garanderen. Wij raden u aan het filterpatroon regelmatig te reinigen, zoals aangegeven op pagina 78.

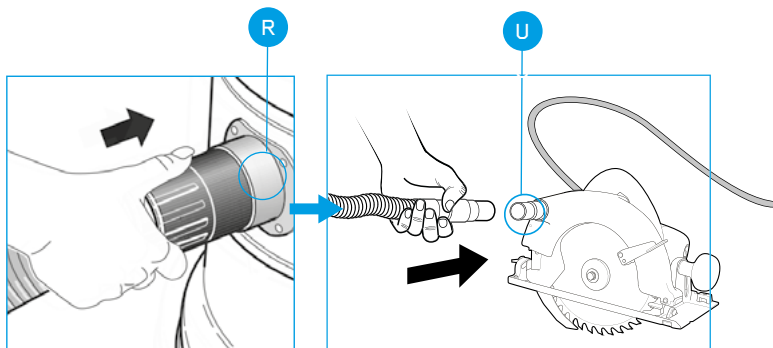


DE FLEXIBELE HOEVEELHEID

Bevestig de aansluiting van de flexibele slang (U) aan de luchtinlaataansluiting (R).

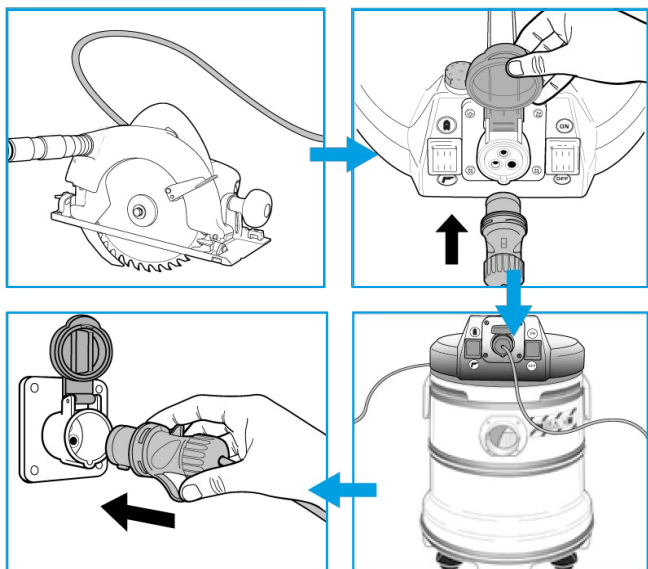


Steek de huls van de flexibele slang in de luchtinlaataansluiting (R) en de adapter (U) in de stoftransporteur van het elektrisch gereedschap.



Steek de stekker in het stopcontact en vervolgens in de stofzuiger. Bevestig de kabel van het elektrisch gereedschap met de kabelklem aan de flexibele slang.

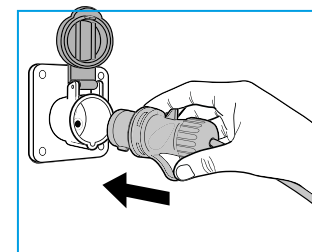
Zet het apparaat aan.



ONDERHOUD



Haal altijd de stekker van het apparaat uit het stopcontact voordat u het filtersysteem op enigerlei wijze reinigt of onderhoudt.



FILTERPATROON

Om de functie “Zelfreinigend filter” handmatig te starten, drukt u de oranje schakelaar (E) maximaal 15 ÷ 20 seconden in.

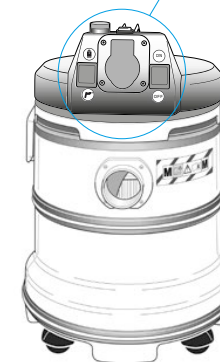
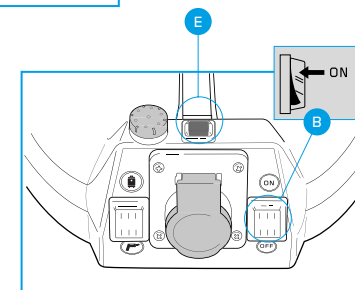
Laat vervolgens de schakelaar (E) gedurende 15 seconden los; de spoel moet afkoelen.

De spoel die het “Zelfreinigend filter” systeem activeert, is uitgerust met een thermische beveiligingsschakelaar.

Als het systeem langer dan 60 seconden in werking blijft, kan de thermische beveiligingsschakelaar worden uitgeschakeld.

Het systeem wordt na ongeveer 20 minuten gereset.

Schakel “A” op “HAND” = zelfreinigende filterfunctie niet actief (zie pagina 72).





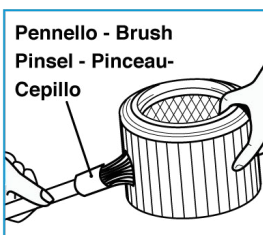
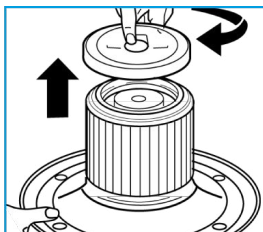
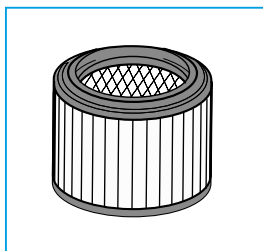
Om het filterpatroon grondig te reinigen, moet u het wassen zoals aangegeven in de figuur.

Voordat u het filterpatroon weer aanbrengt, moet u ervoor zorgen dat het volledig droog is.

Vervang het filterpatroon alleen als het versleten is.

Voer het filterelement af volgens de speciale afvalverwijderingsvoorschriften die in de verschillende landen van kracht zijn.

Het filterelement mag alleen worden gereinigd en gewassen als er generiek en niet klasse 'M' stof is gestofzuigd.



Behandel het filterpatroon voorzichtig als het nat is.



Gebruik geen filter dat is gewassen om stof van klasse 'M' op te zuigen.



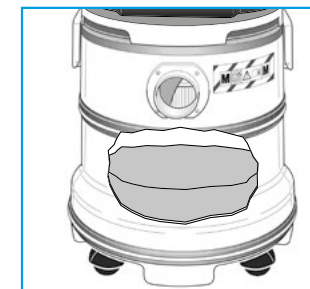
HET SCHOONMAKEN VAN DE TROMMEL

Maak na het zuigen van vloeistoffen de trommel leeg en spoel deze samen met de accessoires om kalkaanslag te voorkomen.

Was de zitting op de plaats waar de veiligheidsvlotter glijdt regelmatig om de goede werking ervan te garanderen.

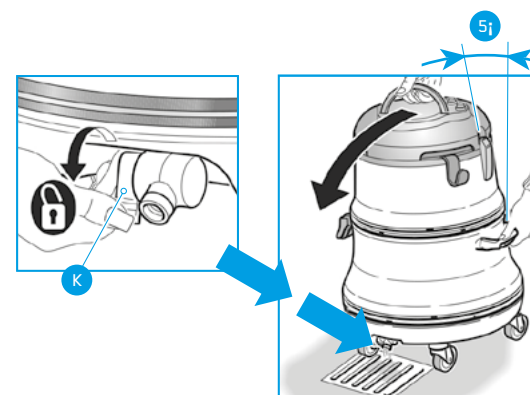
Voordat u weer stof van klasse 'M' gaat opzuigen, moet u ervoor zorgen dat het filterelement en de zak zijn aangebracht.

Was de trommel na elk gebruik.



ALLEEN MODEL DV50

Open de kraan voor vloeistofontlading (K). Om de container volledig leeg te maken, kantelt u deze 5° zoals aangegeven in het schema.





HET OPLOSSEN VAN PROBLEMEN

Problems	Causes	Solutions
Het apparaat zal niet beginnen	Geen stroom. Defecte stroomkabel, schakelaars of motor.	Controleer of het stopcontact werkt Neem contact op met uw technische dienst (zie bijgevoegde lijst).
Verminderde Efficiëntie	Trommel te vol Filterpatroon is vuil of aangekoekt. Verstopte buis of accessoires.	Lege trommel Maak het filter grondig schoon of vervang het, Controleer de slang of de accessoires.
Het toerental van de motor is merkbaar hoger.	Trommel is te vol. Filterpatroon is vuil of aangekoekt. Verstopte buis of accessoires.	Controleer de trommel. Reinig of vervang het filter grondig, Controleer de slang of de accessoires.
Het apparaat start niet in de "power tool" modus.	Defecte printplaat.	Neem contact op met uw technische dienst (zie bijgevoegde lijst).



Gooi elektrische apparaten niet weg met huishoudelijk afval!

In overeenstemming met de Europese Richtlijn 2012/19/EU betreffende afgedankte elektrische en elektronische apparatuur (AEEA) en de uitvoering daarvan in overeenstemming met de nationale wetgeving, moeten elektrische gereedschappen die het einde van hun levenscyclus hebben bereikt, gescheiden worden ingezameld en worden ingeleverd bij een milieuvriendelijke recyclinginrichting.

"EC-VERKLARING VAN OVEREENSTEMMING"

De fabrikant verklaart dat de in deze handleiding beschreven producten

MV DV20 MB | MV DV35 MB | MV DV50 MB

Voldoen aan de essentiële vereisten van de Europese richtlijnen:

2014/35 / EU 2014/30 EU 2011/65 / EU

en is in overeenstemming met de normen

EN 60335-1: 2012 + A11: 2014

EN 60335-2-69:2012

EN 62233: 2008

EN 55014-1: 2006 + A1: 2009 + A2: 2011

EN 55014-2: 2015

EN 61000-3-2: 2014

EN 61000-3-3: 2014

Deze verklaring is opgesteld in oktober 2016.



FRANÇAIS

INSTRUCTION MANUEL

AVERTISSEMENTS	83
DESCRIPTION SYMBOLES INSTRUCTIONS	89
CLÉ DES SYMBOLES	89
LES SPÉCIFICATIONS TECHNIQUES	90
ACCESSOIRES	91
FONCTIONNEMENT	93
SYSTÈMES DE FILTRAGE	95
OUTILS ÉLECTRIQUES	99
MAINTENANCE	103
DÉPANNAGE	106
DÉCLARATION DE CONFORMITÉ DE L'UE	107



AVERTISSEMENTS



Les appareils décrits dans ce manuel sont adaptés :

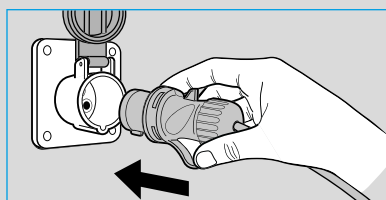
- Aspiration de la poussière et des liquides.
- Usage professionnel (par exemple, hôtels, écoles, hôpitaux, usines, magasins, bureaux et agences de location).
- La catégorie “M” convient à la séparation des poudres sèches (pour autant qu’elles ne soient pas explosives, inflammables et/ou cancérigènes) avec une perméabilité maximale <0,1% et une CMA (concentration maximale admissible) $\geq 0.1 \text{ mg/m}^3$.

Conservez soigneusement ce manuel d'instructions.

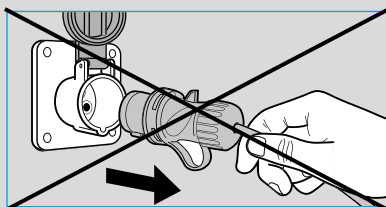
- Un appareil électrique n’est pas un jouet. Utilisez-le et rangez-le hors de portée des enfants. Les enfants doivent être surveillés pour s’assurer qu’ils ne jouent pas avec l’appareil.
- Gardez les éléments de l’emballage (boîte en carton, protections PSE, etc.) hors de la portée des enfants.
- Cet appareil n’a pas été conçu pour être utilisé par des personnes (y compris des enfants) dont les facultés physiques, sensorielles et mentales sont réduites, ou qui n’ont pas lu le présent mode d’emploi au préalable.
- Cet appareil a été conçu pour fonctionner uniquement en courant alternatif. Avant de mettre l’appareil en marche, vérifiez que la tension du réseau correspond à celle indiquée sur la plaque signalétique.
- Vérifiez que le système électrique est équipé d’un interrupteur différentiel (type coupe-circuit automatique)



- N'utilisez une rallonge que si elle est en parfait état et assurez-vous que sa section est adaptée à la puissance de l'appareil plus celle de l'outil électrique.
- Ne laissez jamais l'appareil en marche sans surveillance.
- Si l'air de décharge est rejeté dans l'environnement de travail, il doit avoir un indice d'échange d'air de classe "M" suffisant. Afin de respecter la limite requise le débit doit être au maximum de 50 % du débit d'air frais (volume de l'environnement VR par l'indice d'échange d'air LW). Respectez également la réglementation en vigueur.
- Activez la fonction "filtre autonettoyant" pendant une durée maximale de 60 secondes.
- Déroulez complètement le câble d'alimentation avant de mettre l'appareil en marche.



- Branchez l'appareil uniquement à des prises de courant d'une capacité minimale de 10A pour déclencher la prise de courant.



- Ne tirez pas sur le câble d'alimentation ou sur l'appareil pour retirer la fiche de la prise de courant.

Risque de chute:

Ne montez pas sur le couvercle de l'appareil et ne vous asseyez pas dessus.



AVERTISSEMENTS

- Ne dirigez pas le tuyau d'aspiration vers les oreilles, les yeux, les cheveux, les personnes ou les animaux en général.
- Pendant le transport de l'appareil, le moteur doit être arrêté. Veillez également à ce que l'appareil ne puisse pas disperser la poussière dans l'environnement et à ce qu'il soit dans une position stable
- Arrêtez la machine en cas de forte émission de poussière, d'incendie ou de fumée. L'utilisation de l'appareil n'est autorisée qu'après vérification et réparation par une personne autorisée.
- Débranchez toujours la fiche de la prise de courant immédiatement après l'utilisation et avant d'effectuer tout nettoyage ou entretien de l'appareil.
- Les réparations ne peuvent être effectuées que par des spécialistes qui conservent les pièces de rechange originales fournies par le fabricant.
Il peut être extrêmement dangereux de réparer l'appareil soi-même.

N'utilisez jamais l'appareil :

- Lorsque vos mains sont humides ou mouillées ;
- Si elle est tombée et présente des dommages ou des dysfonctionnements évidents ;
- Si le câble d'alimentation ou la prise est défectueux.



Nettoyez l'appareil en utilisant uniquement de l'eau. N'utilisez pas de trichloréthylène, de solvants ou de détergents abrasifs.



- Conformément à la réglementation en vigueur, les appareils qui doivent être mis au rebut doivent être rendus inutilisables en coupant le câble d'alimentation avant leur élimination.
- L'appareil doit être décontaminé par des méthodes de nettoyage par aspiration et être essuyé ou traité avec un produit d'étanchéité avant d'être sorti d'une zone dangereuse. Toutes les autres parties de l'appareil doivent être considérées comme contaminées lorsqu'elles sont retirées de la zone dangereuse et des mesures appropriées doivent être prises pour empêcher la dispersion de la poussière.
- Lors du nettoyage et de l'entretien, il est recommandé de toujours porter des dispositifs de protection individuelle (gants et masque), comme l'exigent les réglementations nationales en vigueur.
- Avant de procéder aux opérations d'entretien, il est fortement recommandé de décontaminer d'abord l'appareil en aspirant de l'air propre pendant quelques minutes et de le nettoyer à l'extérieur.
- L'entretien et le nettoyage doivent être effectués dans un local suffisamment ventilé et de manière à ne pas mettre en danger les opérateurs ou d'autres personnes.
- Nettoyez le lieu où l'entretien est effectué afin d'éviter que des substances dangereuses ne soient dispersées dans l'environnement.
- Lors des opérations d'entretien, de réparation et d'élimination, toutes les parties contaminées de l'appareil qui ne peuvent être complètement nettoyées doivent être éliminées ; elles doivent être placées dans des sacs imperméables conformément aux réglementations nationales en vigueur pour l'élimination des déchets spéciaux.

Pour une élimination correcte, il est conseillé d'indiquer sur le sac imperméable les substances qui ont été aspirées.



AVERTISSEMENTS

- Il est recommandé d'effectuer une inspection technique de l'appareil au moins une fois par an pour vérifier l'étanchéité des joints et le bon fonctionnement des mécanismes de contrôle afin de pouvoir détecter d'éventuels dysfonctionnements. Vérifier quotidiennement l'intégrité du système de filtrage.
- Cet appareil a été conçu pour être utilisé par des personnes dûment formées, notamment en ce qui concerne le nettoyage et l'entretien de l'appareil, les risques liés aux matériaux aspirés et leur élimination correcte, et le remplacement des pièces de rechange conformément aux directives en vigueur dans les différents pays.



Si le câble d'alimentation est endommagé, il doit être remplacé par le fabricant ou le centre de service technique agréé ou en tout cas par une personne ayant une qualification similaire afin de prévenir tout risque.

- N'aspirez pas les substances inflammables, potentiellement explosives ou corrosives et les cendres incandescentes. Ces substances peuvent compromettre la sécurité et le fonctionnement de l'appareil.
- Ne posez jamais le câble d'alimentation sur des bords tranchants, ne l'écrasez pas et tenez-le éloigné des brosses électriques rotatives. N'utilisez la prise de courant de l'appareil qu'aux fins spécifiées dans la instructions.
- Pour les outils électriques connectés à la prise de l'aspirateur, suivez les le mode d'emploi relatif.
- En cas de fuite (mousse ou liquide), éteindre immédiatement l'appareil.



SURETY

- Cette machine ne doit être stockée qu'à l'intérieur.
- Nettoyez fréquemment le siège où coulisse le flotteur de sécurité et inspectez-le périodiquement pour vérifier son intégrité.
- N'utilisez pas l'appareil lorsque le système de filtrage est endommagé.
- La classe de poussière 'M' ne s'applique pas lorsque vous aspirez des liquides.

RAPPELEZ-VOUS QUE

- En cas de contact des substances potentiellement dangereuses avec les yeux ou la peau, rincez-les à l'eau et consultez un centre spécialisé.
- En cas d'inhalation ou d'ingestion de substances potentiellement dangereuses, appelez un médecin. Ne provoquez pas de vomissements pour éviter de contaminer les poumons ; il est recommandé de se rincer la bouche sans avaler d'eau.
- Si, en cas de vomissement spontané, est censé avoir pénétré dans les poumons de substances potentiellement dangereuses, transporter à l'hôpital.

Le fabricant décline toute responsabilité en cas d'utilisation incorrecte ou non conforme aux instructions fournies, d'altération et d'entretien insuffisant de l'appareil.



SYMBOLES

DESCRIPTION SYMBOLES INSTRUCTIONS



Lire
les instructions
avant d'utiliser
l'appareil.



L'attention
indique une
situation
potentiellement
dangereuse.



Note
avertissement
pour une
utilisation
correcte



**Manuel
d'utilisation**
Mode d'emploi

LA CLÉ DES SYMBOLES



Prise de courant
pour outils
électriques



Connexion
pour les outils
pneumatiques



Aspirateur à eau
et à sec



"Fonction
"Filtre auto-
nettoyant



Professionnel



Raccordement
de la soufflerie



Industrie

LES SPÉCIFICATIONS TECHNIQUES

	DV20	DV35	DV50
Tension d'alimentation	230/110 V~	230/110 V~	230/110 V~
Fréquence	50/60 Hz	50/60 Hz	50/60 Hz
Puissance nominale	1200 W	1200 W	1200 W
Débit d'air maximum environ	60 L/sec	60 L/sec	60 L/sec
Puissance totale installée (aspirateur + outils électriques)	230v = 3200 110v = 2200	230v = 3200 110v = 2200	230v = 3200 110v = 2200
Tambour en			
Capacité nominale du tambour	20	35	50
Aspiration MAX environ	240 kPa	240 kPa	240 kPa
Classe d'isolation des moteurs			
Classe d'isolation des appareils	I	I	I
Indice de protection	IPX4	IPX4	IPX4
Puissance maximale de la prise de l'outil électrique	(W) 230v = 2000 110v = 1000	(W) 230v = 2000 110v = 1000	(W) 230v = 2000 110v = 1000
Délai de temporisation	Yes	Yes	Yes
Mécanisme de nettoyage automatique des filtres	Auto	Auto	Auto
Type de câble d'alimentation électrique	3G HO7RN-7	3G HO7RN-7	3G HO7RN-7
Taille de l'emballage environ	400 x 400 x 540 mm	430 x 430 x 660 mm	480 x 480 x 735 mm
Poids de l'appareil emballé environ	11.5 Kg	12 Kg	13.5 Kg
Poids de l'appareil *	8.6 Kg	9 Kg	10 Kg
Niveau de pression acoustique constant et pondéré	< 68 ± 2 dB(A)	< 68 ± 2 dB(A)	< 68 ± 2 dB(A)

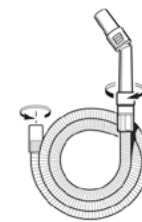
* Poids selon la procédure EPTA 01/2003

ACCESSORIES



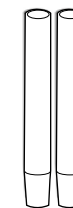
DV-ACC-113

ø36 mm flexible hose with multi-diameter adapter for electric tools



DV-ACC-112

Tuyau flexible de ø45 mm avec dispositif ergonomique dispositif de préhension et de descente



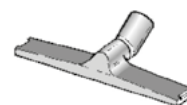
DV-ACC-115

Baguettes de rallonge en plastique



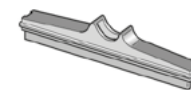
DV-ACC-104

Outil de crevasse



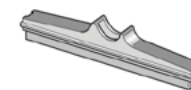
DV-ACC-114

Boîtier de la barre de sol pour brosse combinée



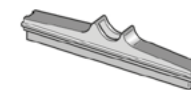
DV-ACC-102

Insert de barre de sol pour les liquides



DV-ACC-101

Insert de barre de sol pour les sols durs



DV-ACC-100

Insertion de barres de sol pour les tapis



DV-ACC-124

Adaptateur multi-diamètre



DV-ACC-105

Accessoire triangulaire



DV-ACC-110

Brosse ronde.



DV-ACC-106

Filtre à mousse pour l'aspiration des liquides



DV-ACC-125

Pince pour cordon d'outil électrique



DV-ACC-109

"Cartouche filtrante "IFA" Classe "H pour DV 20/35/50



DV-ACC-111

Pré-filtre



DV-ACC-302

Sac filtrant en polaire double couche "IFA" Classe "M pour DV20



DV-ACC-107

Sac filtrant en papier double couche "IFA" Classe "M pour DV35



DV-ACC-107

Sac filtrant en polaire double couche "IFA" Classe "M pour DV35



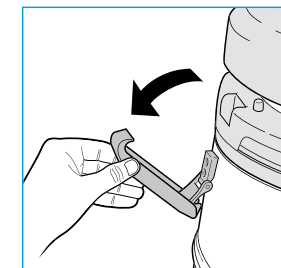
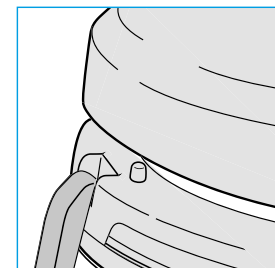
DV-ACC-107

Sac filtrant en polaire double couche "IFA" Classe "M pour DV35

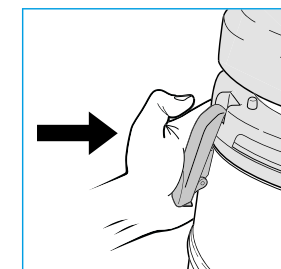
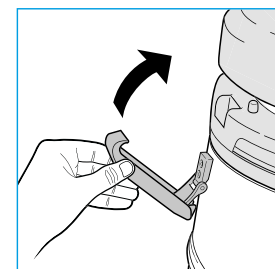


OPÉRATION

DÉBLOCCAGE DE L'UNITÉ MOTRICE

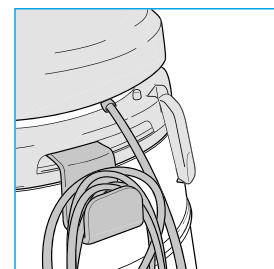


Pour libérer l'unité motrice.



Pour remettre en état le groupe moteur.

CROCHET DE CORDON (LE CAS ÉCHÉANT)

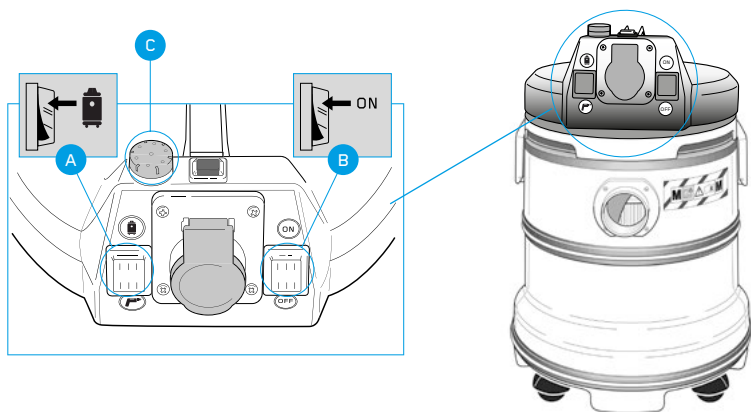


POUR UTILISATION COMME ASPIRATEUR À EAU OU À SEC

Sélecteur (A) : en position "MANUAL".

Interrupteur (B) : position "O" - Appareil éteint / position "I" - Appareil allumé.

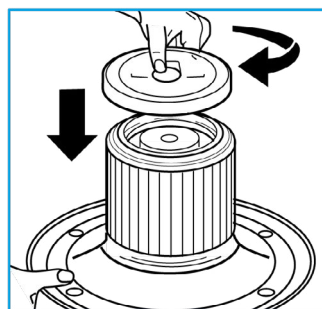
Voyant lumineux (C) : si le système de filtrage ou le tuyau flexible est bouché, le voyant lumineux s'allume.



POUR UNE UTILISATION SOUS VIDE SEC

La cartouche filtrante doit toujours être utilisée.

Gardez la cartouche filtrante propre.
Remplacez-la si elle est trop encrassée ou usée



SYSTÈMES DE FILTRAGE

L'UTILISATION DU FILTRE



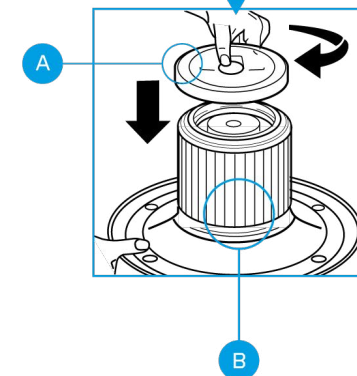
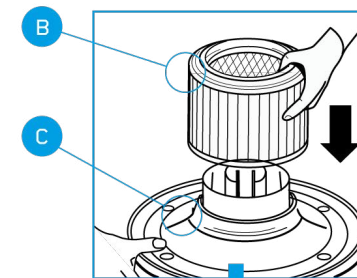
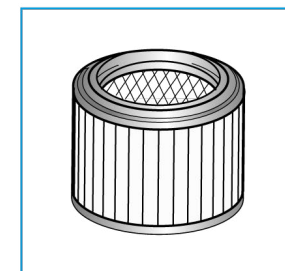
Pour aspirer la poussière de classe 'M', utilisez toujours l'élément filtrant.
Évitez d'utiliser le filtre pour les matériaux pointus ou humides.

Placez le filtre (B) sur le boîtier du moteur (C).

Montez le disque en plastique (A) sur le filtre (B)



Nous recommandons fortement d'utiliser ce filtre pour aspirer la poussière et les solides ; il peut être utilisé avec le sac en papier filtrant. Cela permet d'éviter le colmatage de l'unité de filtrage et présente l'avantage de rendre l'élimination des débris aspirés rapide et hygiénique.
Évitez de les utiliser pour couper ou humidifier des matériaux.

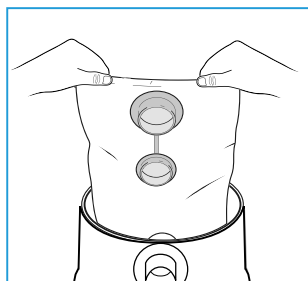




L'UTILISATION DU SAC À POUSSIÈRE

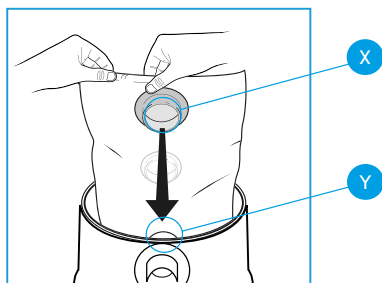


N'utilisez le sac à poussière que lorsque la cartouche filtrante est installée. Pour ramasser la poussière de classe 'M', le sac à poussière doit être installé dans l'appareil.



Insérez le sac filtrant en papier dans le fût à déchets.

Montez la bride en plastique (X) dans le raccord d'entrée d'air (Y). Faites attention à ne pas endommager le sac.



Utilisez le sac pour éliminer la saleté de façon plus hygiénique.

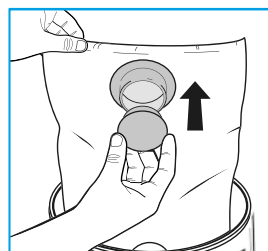
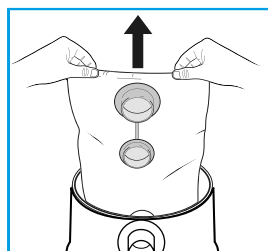
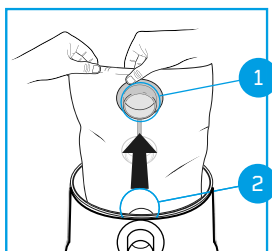
CHANGER LE SAC À POUSSIÈRE



Le sac ne doit pas être réutilisé et doit toujours être changé.

Éliminez le sac conformément à la réglementation spéciale sur l'élimination des déchets en vigueur dans votre pays.

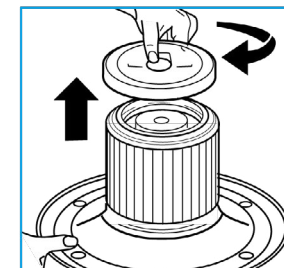
Retirez la bride en plastique (1) du raccord d'entrée d'air (2) et sortez le sac plein. Fermez la bride en plastique avec le bouchon fourni.



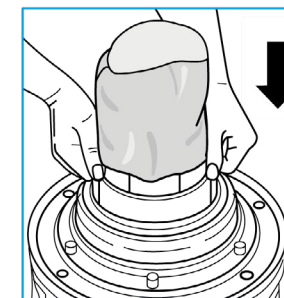
POUR UTILISATION COMME ASPIRATEUR HUMIDE



Retirez toujours la cartouche filtrante et le sachet filtrant en papier, le cas échéant. Utilisez le filtre en mousse. Le filtre en mousse n'est pas adapté pour aspirer la poussière de classe 'M'.

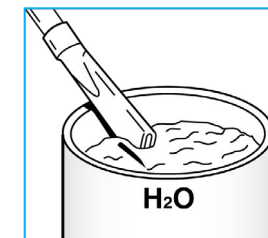


Lorsque les liquides aspirés atteignent le niveau maximum à l'intérieur du fût, l'aspiration est automatiquement coupée par le flotteur de sécurité. L'utilisateur est alerté par une augmentation du régime du moteur et par l'absence d'aspiration. Éteignez immédiatement l'appareil et videz le fût.



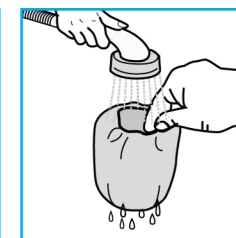
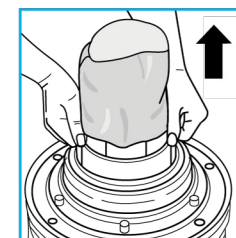
L'ASPIRATION DE GRANDES QUANTITÉS DE LIQUIDE

Pour assurer un flux d'air partiel, veillez à ce que l'outil de crevasse ne soit jamais complètement submergé.



NETTOYER LA MOUSSE FILTRE

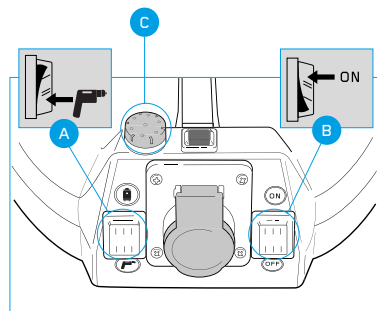
Rincez le filtre en mousse avec de l'eau. N'utilisez pas de détergent. Remplacez-le s'il est usé ou déchiré.



FONCTION DE "FILTRE AUTO-NETTOYANT"

Avec le commutateur (B) en position "I", lorsque le commutateur (A) est placé en position "AUTOMATIQUE", la fonction de filtre autonettoyant est activée.

Lorsque l'appareil est éteint, il continue à fonctionner pendant 8/10 secondes, puis la fonction de filtre auto-nettoyant commence.



Lorsque le commutateur "A" est réglé en mode MANUEL, la fonction Filtre auto-nettoyant n'est pas active.

MANUEL DU "FILTRE AUTO-NETTOYANT"

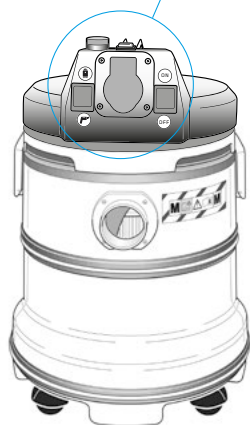
Le témoin lumineux (C) est allumé : lancez manuellement la fonction "Filtre autonettoyant" ; appuyez sur le bouton orange (E).

Pour un nettoyage correct de l'élément filtrant, suivez les instructions de la page 104

Le fonctionnement continu du système de "filtre autonettoyant" pendant plus de 60 secondes peut provoquer le déclenchement de l'interrupteur de protection thermique.



Si la vitesse de l'air descend en dessous de 20 m/sec., le voyant d'avertissement s'allume (conformément à la norme IEC/EN 60335-2-69)



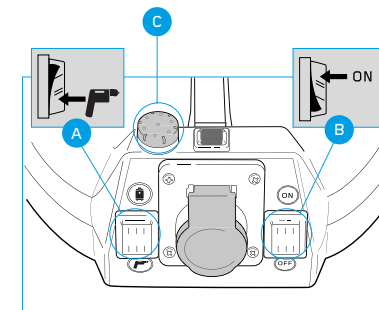
OUTILS ÉLECTRIQUES

POUR UTILISATION AVEC UN OUTIL ÉLECTRIQUE

Sélecteur (A) : en position "AUTOMATIQUE".

Interrupteur (B) : en position "I" - Appareil en marche.

L'appareil fonctionne en synchronisation avec l'outil électrique.





CONNEXION D'UN OUTIL ÉLECTRIQUE À L'ASPIRATEUR

Branchez l'outil électrique dans la prise de l'unité moteur (A)
Branchez le vide sur l'alimentation électrique (B).

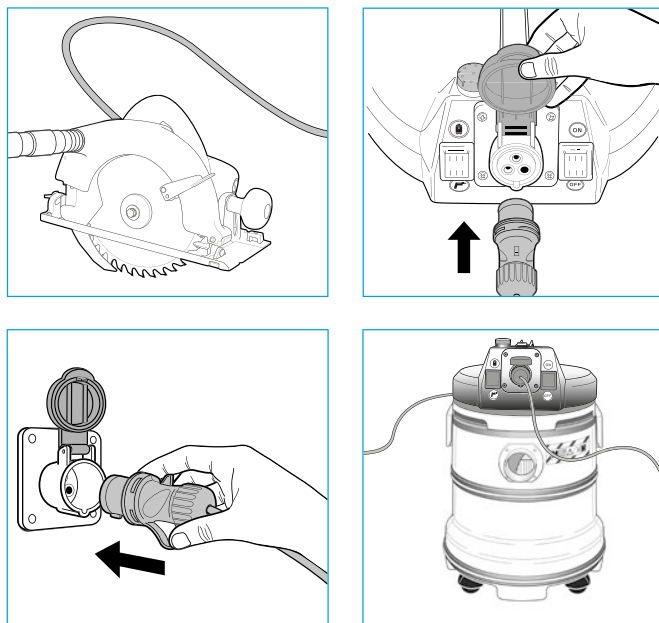
La prise de courant est adaptée au branchement d'outils électriques d'une puissance maximale autorisée, comme indiqué à la page 90 - Données techniques

NE JAMAIS brancher d'outils électriques avec une puissance supérieure

Ne branchez JAMAIS plus d'un outil électrique dans la prise de l'unité motrice

Branchez l'outil électrique, puis l'aspirateur. À l'aide du serre-câble, fixez le câble de l'outil électrique au tuyau flexible.

Allumez l'appareil.

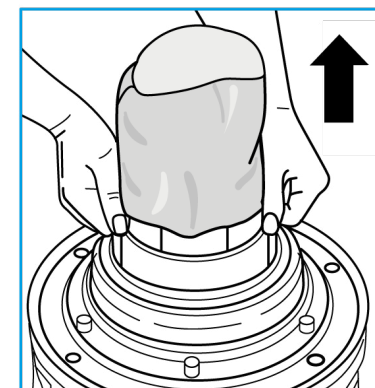
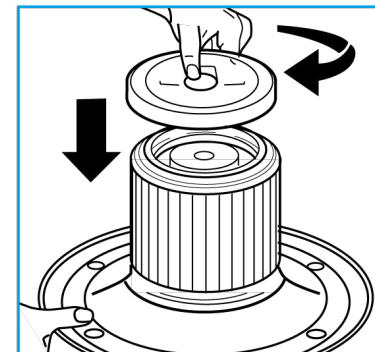


D'UTILISER UN OUTIL ÉLECTRIQUE AVEC LE VIDE



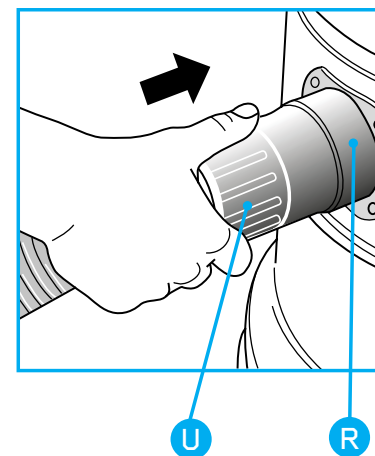
La cartouche filtrante doit toujours être fixée. Retirez le filtre en mousse s'il est installé.

Maintenez toujours le système de filtrage en bon état de fonctionnement pour assurer un fonctionnement efficace. Nous recommandons de nettoyer fréquemment la cartouche filtrante, comme illustré à la page 104



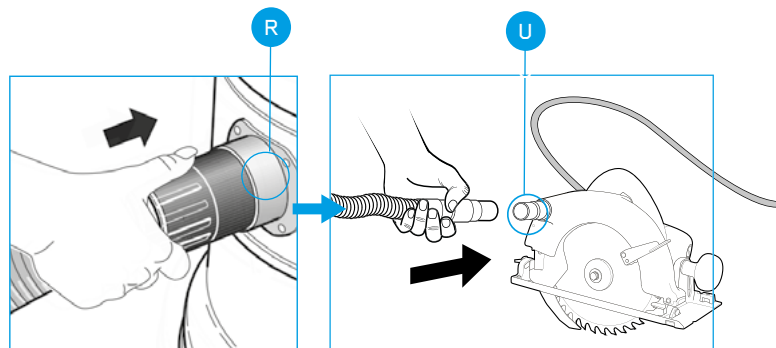
S'ATTAQUER AU TUYAU FLEXIBLE

Raccordez le connecteur du tuyau flexible (U) au connecteur d'entrée d'air (R).



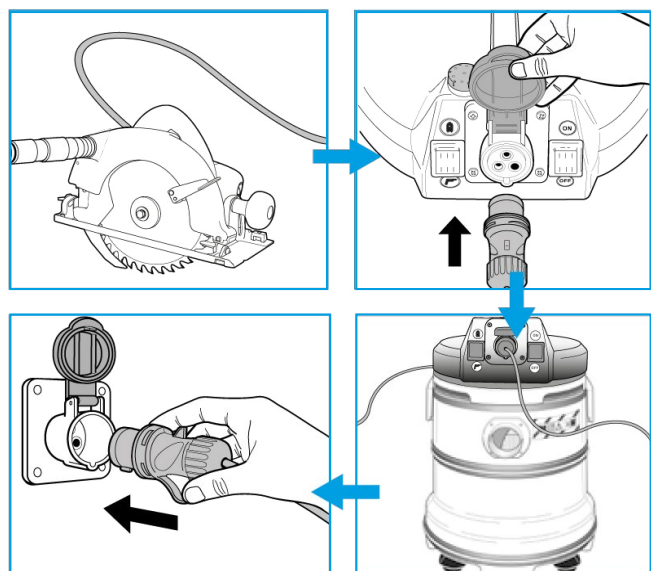


Insérez le manchon du tuyau flexible dans le connecteur d'entrée d'air (R) et l'adaptateur (U) dans le transporteur de poussière de l'énergie électrique également



Branchez l'outil électrique, puis l'aspirateur. À l'aide du serre-câble, fixez le câble de l'outil électrique au tuyau flexible.

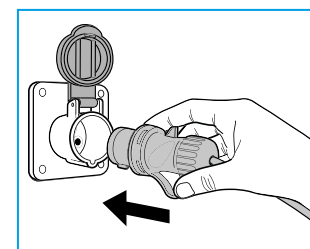
Allumez l'appareil.



MAINTENANCE



Débranchez toujours l'appareil de l'alimentation électrique avant de nettoyer ou d'entretenir le système de filtrage de quelque manière que ce soit.



CARTOUCHE FILTRANTE

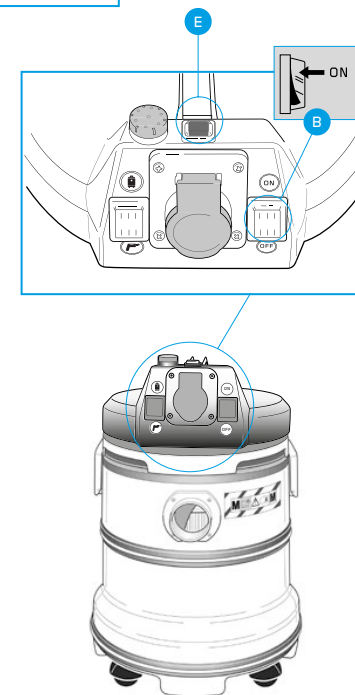
Pour lancer manuellement la fonction "Filtre autonettoyant", appuyez sur le bouton orange (E) pendant 15-20 secondes au maximum.

Relâchez ensuite l'interrupteur (E) pendant 15 secondes ; la bobine doit refroidir. La bobine qui active le système "Filtre autonettoyant" est équipée d'un interrupteur de protection thermique.

Un fonctionnement continu du système pendant plus de 60 secondes peut provoquer le déclenchement de l'interrupteur de protection thermique.

Le système se réinitialise après environ 20 minutes.

Commutateur "A" sur "MANUEL" = fonction de filtre autonettoyant non active (voir page 98)



LE NETTOYAGE DU FILTRE

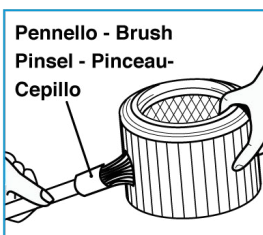
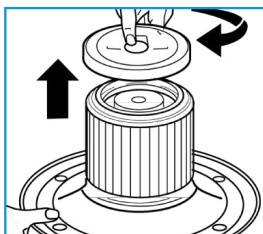
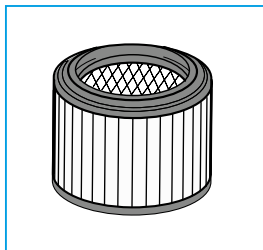
Pour nettoyer à fond la cartouche filtrante, la laver comme indiqué sur la figure.

Avant de remettre la cartouche filtrante, assurez-vous qu'elle est complètement sèche.

Ne remplacez la cartouche filtrante que si elle est usée.

Éliminez l'élément filtrant conformément aux réglementations spéciales en vigueur dans les différents pays en matière d'élimination des déchets.

L'élément filtrant ne peut être nettoyé et lavé que lorsque de la poussière générique et non de classe 'M' a été aspirée.



Manipulez la cartouche filtrante avec précaution lorsqu'elle est mouillée.



N'utilisez pas un filtre qui a été lavé pour aspirer la poussière de classe 'M'.

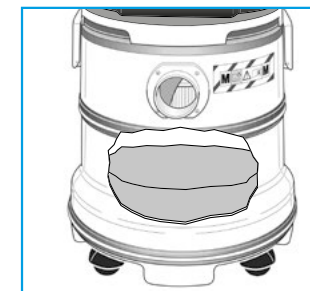
LE NETTOYAGE DU TAMBOUR

Après avoir aspiré les liquides, videz le fût et rincez-le avec les accessoires afin d'éviter la formation de tartre.

Lavez fréquemment le siège où coulisse le flotteur de sécurité afin de vous assurer de son bon fonctionnement.

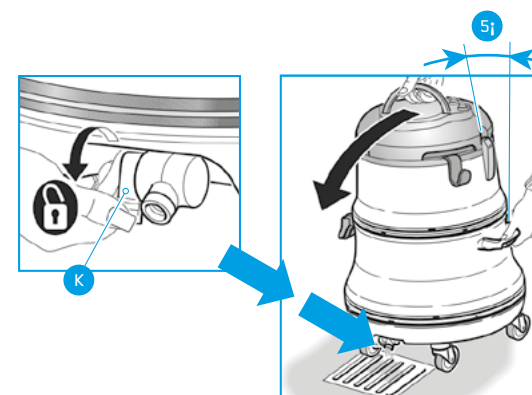
Avant d'aspirer à nouveau la poussière de classe 'M', assurez-vous que l'élément filtrant et le sac sont bien en place.

Lavez le tambour après chaque utilisation.



MODÈLE DV50 UNIQUEMENT

Ouvrez le robinet d'évacuation du liquide (K). Pour vider complètement le bac, inclinez-le de 5° comme indiqué sur le schéma.





DÉPANNAGE

Problèmes	Causes	Solutions
L'appareil ne pas commencer	<p>Pas de pouvoir</p> <p>Cordon d'alimentation, interrupteurs ou moteur défectueux.</p>	<p>Vérifiez que la prise de courant fonctionne</p> <p>Contactez votre centre de service technique (voir liste ci-jointe).</p>
Réduit Efficacité	<p>Tambour trop plein</p> <p>La cartouche du filtre est sale ou encrassée.</p> <p>Tube ou accessoires bouchés.</p>	<p>Tambour vide</p> <p>Nettoyez soigneusement ou changez le filtre,</p> <p>Vérifiez le tuyau ou les accessoires.</p>
Le régime du moteur est sensiblement plus élevé.	<p>Tambour trop plein.</p> <p>La cartouche filtrante est sale ou encrassée.</p> <p>Tube ou accessoires bouchés.</p>	<p>Vérifiez le tambour.</p> <p>Nettoyez soigneusement ou changez le filtre,</p> <p>Vérifiez le tuyau ou les accessoires.</p>
L'appareil ne démarre pas en mode "outil électrique".	<p>Carte de circuit imprimé défectueuse.</p>	<p>Contactez votre centre de service technique (voir liste ci-jointe).</p>



Ne pas éliminer les appareils électriques avec les déchets ménagers !

Conformément à la directive européenne 2012/19/UE relative aux déchets d'équipements électriques et électroniques (DEEE) et à sa mise en œuvre selon la législation nationale, les outils électriques qui ont atteint la fin de leur cycle de vie doivent être collectés séparément et renvoyés à une installation de recyclage compatible avec l'environnement.

DÉCLARATION "EC" DE CONFORMITÉ".

Le fabricant déclare que les produits décrits dans ces instructions

MV DV20 MB | MV DV35 MB | MV DV50 MB

Respecter les exigences essentielles des directives européennes :

2014/35 / EU 2014/30 EU 2011/65 / EU

et est conforme aux normes

EN 60335-1: 2012 + A11: 2014

EN 60335-2-69:2012

EN 62233: 2008

EN 55014-1: 2006 + A1: 2009 + A2: 2011

EN 55014-2: 2015

EN 61000-3-2: 2014

EN 61000-3-3: 2014

Cette déclaration a été rédigée en octobre 2016.



ITALIANO

ISTRUZIONI MANUALE

AVVERTENZE	109
DESCRIZIONE SIMBOLI ISTRUZIONI	115
CHIAVE AI SIMBOLI	115
SPECIFICHE TECNICHE	116
ACCESSORI	117
FUNZIONAMENTO	119
SISTEMI FILTRO	121
UTENSILI ELETTRICI	125
MANUTENZIONE	129
RISOLUZIONE DEI PROBLEMI	132
DICHIARAZIONE DI CONFORMITÀ UE	133



AVVERTENZE



Gli apparecchi descritti in questo manuale sono adatti:

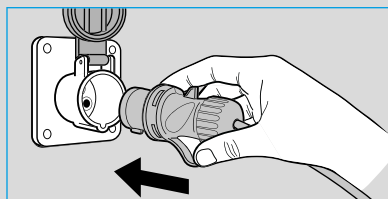
- Aspirare polvere e liquidi.
- Uso professionale (ad es. alberghi, scuole, ospedali, fabbriche, negozi, uffici e agenzie di noleggio).
- La categoria 'M' è adatta per la separazione di polveri secche (purché non esplosive, infiammabili e/o cancerogene) con permeabilità massima $<0,1\%$ e MAC (Maximum Allowable Concentration) $\geq 0,1 \text{ mg/m}^3$.

Conservare con cura questo manuale di istruzioni.

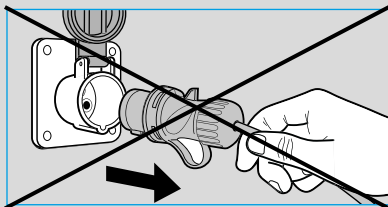
- Un apparecchio elettrico non è un giocattolo. Usatelo e conservatelo fuori dalla portata dei bambini. I bambini devono essere sorvegliati per assicurarsi che non giochino con l'apparecchio.
- Tenere i componenti dell'imballaggio (scatola di cartone, protezioni PSE, ecc.) fuori dalla portata dei bambini.
- Questo apparecchio non è stato progettato per essere utilizzato da persone (compresi i bambini) con ridotte capacità fisiche, sensoriali e mentali o che non hanno letto le presenti istruzioni per l'uso.
- Questo apparecchio è stato progettato per funzionare solo con corrente alternata. Prima di mettere in funzione l'apparecchio, verificare che la tensione di rete corrisponda a quella indicata sulla targhetta dati.
- Verificare che l'impianto elettrico sia dotato di un interruttore differenziale (tipo spegnimento automatico)



- Utilizzare un cavo di prolunga solo se in perfette condizioni e assicurarsi che la sezione sia adeguata alla potenza dell'apparecchio più la potenza dell'utensile elettrico.
- Non lasciare mai l'apparecchio in funzione incustodito.
- Se l'aria di scarico viene rilasciata nuovamente nell'ambiente di lavoro, deve avere un sufficiente indice di ricambio d'aria di classe 'M'. Per rispettare i valori limite richiesti, la portata deve essere al massimo il 50% della portata d'aria fresca (volume dell'ambiente VR per indice di scambio aria LW). Rispettare anche le normative vigenti.
- Attivare la funzione "filtro autopulente" per un tempo massimo di 60 secondi.
- Srotolare completamente il cavo di alimentazione prima di avviare l'apparecchio.



- Collegare l'apparecchio solo a prese di corrente con una capacità minima di 10A per attivare la presa di corrente.



- Non tirare il cavo di alimentazione o l'apparecchio per staccare la spina dalla presa di corrente.

Rischio di caduta:

Non salire o sedersi sul coperchio dell'apparecchio.



AVVERTENZE

- Non puntare il tubo di aspirazione su orecchie, occhi, capelli, persone o animali in generale.
- Durante il trasporto dell'apparecchio, il motore deve essere spento. Assicurarsi inoltre che l'apparecchio non possa disperdere la polvere nell'ambiente e che si trovi in una posizione stabile
- Spegnerne la macchina in caso di elevata emissione di polvere, incendio o fumo. L'uso dell'apparecchio è consentito solo dopo che è stato controllato e riparato da una persona autorizzata.
- Staccare sempre la spina dalla presa di corrente immediatamente dopo l'uso e prima di effettuare qualsiasi pulizia o manutenzione sull'apparecchio.
- Le riparazioni possono essere effettuate solo da specialisti che conservano i pezzi di ricambio originali forniti dal produttore.
La riparazione dell'apparecchio da soli può essere estremamente pericolosa.

Non utilizzare mai l'apparecchio:

- Quando le mani sono bagnate o umide;
- Se è caduto e mostra evidenti danni o malfunzionamenti;
- Se il cavo di alimentazione o la spina sono difettosi.



**Pulire l'apparecchio solo con acqua.
Non utilizzare tricloroetilene
o detersivi abrasivi.**



- In conformità alle norme vigenti, gli apparecchi da smaltire devono essere resi inutilizzabili tagliando il cavo di alimentazione prima dello smaltimento.
- L'apparecchio deve essere decontaminato con metodi di pulizia con l'aspirapolvere e pulito o trattato con sigillante prima di essere portato fuori da una zona pericolosa. Tutte le altre parti dell'apparecchio devono essere considerate contaminate quando vengono rimosse dall'area pericolosa e devono essere prese misure appropriate per prevenire la dispersione della polvere.

Durante la pulizia e la manutenzione, si raccomanda di indossare sempre

 - dispositivi di protezione personale (guanti e mascherina) come richiesto dalle normative nazionali vigenti.
- Prima di procedere con le operazioni di manutenzione, si raccomanda vivamente di decontaminare l'apparecchio prima di procedere con le operazioni di manutenzione, aspirando aria pulita per alcuni minuti e di pulirlo all'esterno.
- La manutenzione e la pulizia devono essere effettuate in un locale con adeguata ventilazione e in modo da non mettere in pericolo gli operatori o altre persone.
- Pulire il luogo in cui si effettua la manutenzione per evitare che le sostanze pericolose si disperdano nell'ambiente.
- Durante le operazioni di manutenzione, riparazione e smaltimento, tutte le parti contaminate dell'apparecchio che non possono essere completamente pulite devono essere eliminate; metterle in sacchetti impermeabili secondo le norme nazionali vigenti per lo smaltimento dei rifiuti speciali.
- Per un corretto smaltimento è consigliabile indicare sul sacco impermeabile quali sostanze sono state aspirate.
- Si raccomanda di effettuare un controllo tecnico sull'apparecchio almeno una volta all'anno per verificare la tenuta dei sigilli e il corretto funzionamento dei meccanismi di controllo in modo da poter rilevare eventuali malfunzionamenti. Controllare giornalmente l'integrità del sistema di filtraggio.



AVVERTENZE

- Questo apparecchio è stato progettato per essere utilizzato da persone adeguatamente addestrate, in particolare per la pulizia e la manutenzione dell'apparecchio, i rischi derivanti dai materiali aspirati e il loro corretto smaltimento e la sostituzione dei pezzi di ricambio secondo le direttive vigenti nei vari paesi.
- Non aspirare sostanze infiammabili, potenzialmente esplosive o corrosive e ceneri incandescenti. Queste sostanze possono compromettere la sicurezza e il funzionamento dell'apparecchio.
- Non posare mai il cavo di alimentazione su spigoli vivi, non schiacciarlo e tenerlo lontano dalle spazzole elettriche rotanti



Se il cavo di alimentazione è danneggiato, deve essere sostituito dal produttore o da un centro di assistenza tecnica autorizzato o comunque da una persona con qualifica simile, in modo da prevenire qualsiasi rischio.

- Utilizzare la presa di corrente della macchina solo per gli scopi specificati nella istruzioni.
- Per gli utensili elettrici collegati alla presa dell'aspirapolvere, seguire le istruzioni relative istruzioni per l'uso.
- In caso di perdite (schiuma o liquido) spegnere immediatamente l'apparecchio.



ATTENZIONE

- Questa macchina deve essere conservata solo al chiuso.
- Pulire frequentemente il sedile dove scorre il galleggiante di sicurezza e ispezionarlo periodicamente per verificarne l'integrità.
- Non utilizzare l'apparecchio quando il sistema di filtraggio è danneggiato.
- La classe di polvere 'M' non si applica quando si aspira liquidi.

RICORDATE CHE

- In caso di contatto di sostanze potenzialmente pericolose con gli occhi o con la pelle, sciacquare con acqua e consultare un centro specializzato.
- In caso di sostanze potenzialmente pericolose sono state inalate o ingerite, chiamare un medico. Non indurre il vomito per evitare di contaminare i polmoni; si consiglia di sciacquare la bocca senza inghiottire acqua.
- Se, in caso di vomito spontaneo, si suppone che sia entrato nei polmoni di sostanze potenzialmente pericolose, trasporto in ospedale.

Il produttore declina ogni responsabilità per un uso improprio o non conforme alle istruzioni fornite, manomissione e manutenzione inadeguata dell'apparecchio.



SIMBOLI

DESCRIZIONE SIMBOLI ISTRUZIONI



Leggi
le istruzioni prima di utilizzare l'apparecchio.



Attenzione
indica una potenziale situazione di pericolo.



Nota
avvertenza per un uso corretto



Manuale dell'operatore
Istruzioni per l'uso

CHIAVE DEI SIMBOLI



Preso per utensili elettrici



Attacco per utensili pneumatici



Aspirapolvere a umido e a secco



"Funzione "filtro autopulente"



Professionale



Collegamento del soffiatore



Industriale

SPECIFICHE TECNICHE

	DV20	DV35	DV50
Tensione di alimentazione	230/110 V~	230/110 V~	230/110 V~
Frequenza	50/60 Hz	50/60 Hz	50/60 Hz
Potenza nominale	1200 W	1200 W	1200 W
Flusso d'aria massimo ca.	60 L/sec	60 L/sec	60 L/sec
Potenza totale installata (vuoto + utensili elettrici)	230v = 3200 110v = 2200	230v = 3200 110v = 2200	230v = 3200 110v = 2200
Tamburo di			
Capacità nominale del tamburo	20	35	50
Aspirazione MAX ca.	240 kPa	240 kPa	240 kPa
Classe di isolamento del motore			
Classe di isolamento dell'apparecchio	I	I	I
Grado di protezione	IPX4	IPX4	IPX4
Massima potenza dalla presa di corrente	(W) 230v = 2000 110v = 1000	(W) 230v = 2000 110v = 1000	(W) 230v = 2000 110v = 1000
Ritardo dopo l'esecuzione	Yes	Yes	Yes
Meccanismo automatico di pulizia del filtro	Auto	Auto	Auto
Tipo di cavo di alimentazione elettrica	3G HO7RN-7	3G HO7RN-7	3G HO7RN-7
Dimensione dell'imballaggio ca.	400 x 400 x 540 mm	430 x 430 x 660 mm	480 x 480 x 735 mm
Peso dell'apparecchio imballato	11.5 Kg	12 Kg	13.5 Kg
Peso dell'apparecchio *	8.6 Kg	9 Kg	10 Kg
Livello di pressione sonora costante e ponderata	< 68 ± 2 dB(A)	< 68 ± 2 dB(A)	< 68 ± 2 dB(A)

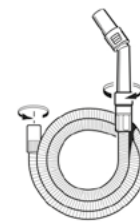
* Peso secondo la procedura EPTA 01/2003

ACCESSORIES



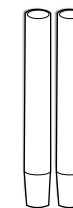
DV-ACC-113

Tubo flessibile
ø36 mm con
adattatore
multidiametro
per utensili
elettrici



DV-ACC-112

Tubo flessibile
ø45 mm con
tubo flessibile
ergonomico
dispositivo
di presa e di
discesa



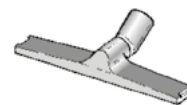
DV-ACC-115

Prolunghe in
plastica



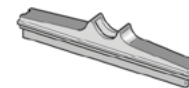
DV-ACC-104

Strumento
crepaccio



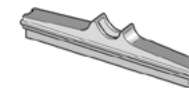
DV-ACC-114

Alloggiamento
per barra da
pavimento
per spazzola
combinata



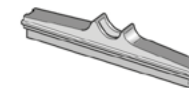
DV-ACC-102

Inserto a
pavimento per
liquidi



DV-ACC-101

Inserti per
pavimenti duri



DV-ACC-100

Inserto per
pavimenti in
barre per tappeti



DV-ACC-124

Adattatore
multidiametro



DV-ACC-105

Accessorio
triangolare



DV-ACC-110

Spazzola
rotonda.



DV-ACC-106

Filtro a schiuma
per l'aspirazione
di liquidi



DV-ACC-125

Bloccacavo per
utensili elettrici



DV-ACC-109

"Cartuccia
filtrante "IFA"
Classe "M".
per DV 20/35/50



DV-ACC-111

Pre-filtro



DV-ACC-302

Sacco filtrante
in pile a doppio
strato "IFA"
Classe "M".
per DV20



DV-ACC-107

Sacco filtrante
in carta a doppio
strato "IFA"
Classe "M".
per DV35



DV-ACC-107

Sacco filtrante
in pile a doppio
strato "IFA"
Classe "M".
per DV35

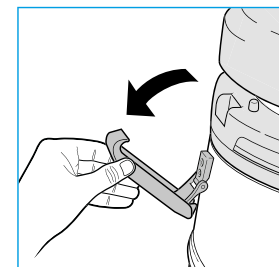
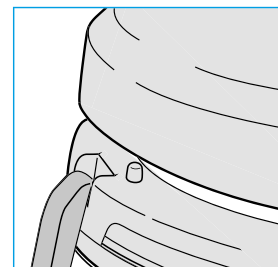


DV-ACC-107

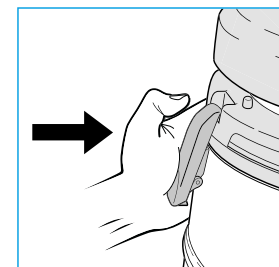
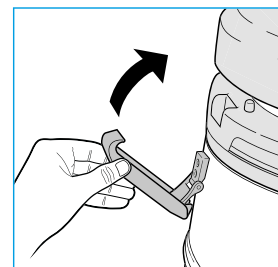
Sacco filtrante
in pile a doppio
strato "IFA"
Classe "M".
per DV35

OPERAZIONE

RILASCIO DELL'UNITÀ MOTORE

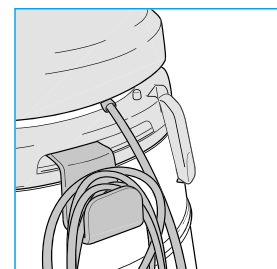


Per sbloccare l'unità motore.



Per rimontare l'unità motore.

GANCIO A FUNE (DOVE PREVISTO)



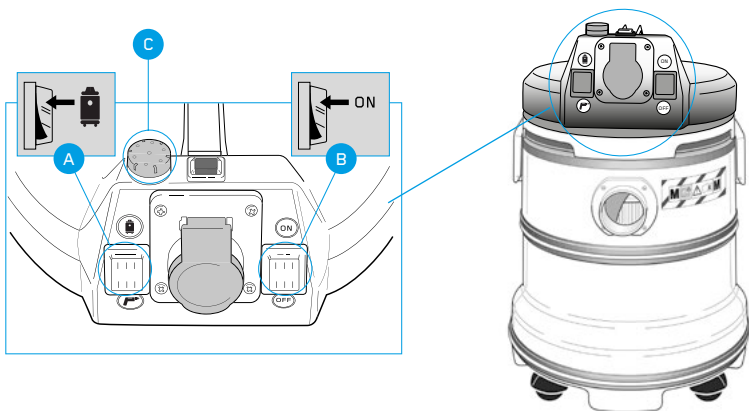


PER L'USO COME ASPIRAPOLVERE A UMIDO O A SECCO

Selettore (A): in posizione "MANUALE".

Selettore (B): posizione "O" - Apparecchio spento / posizione "I" - Apparecchio acceso.

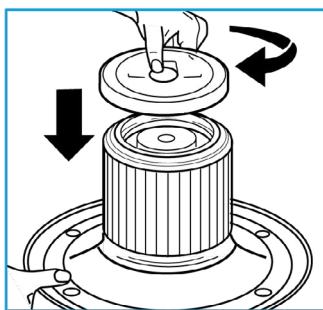
Spia luminosa (C): se il sistema di filtraggio o il tubo flessibile è intasato, la spia si accende.



PER L'UTILIZZO COME VUOTO SECCO

La cartuccia del filtro deve essere **SEMPRE** utilizzata.

Mantenere pulita la cartuccia filtro.
Sostituirla se eccessivamente cotta o consumata

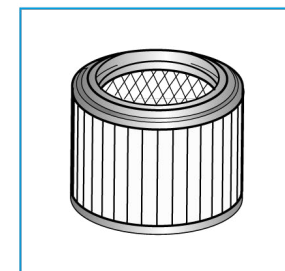


SISTEMI DI FILTRAGGIO

UTILIZZANDO IL FILTRO

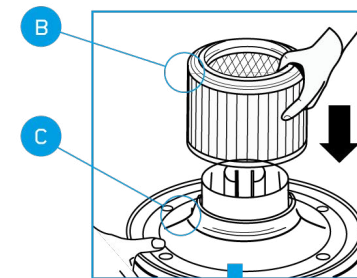


Per aspirare la polvere di classe 'M' utilizzare sempre l'elemento filtrante.
Evitare di utilizzare il filtro per materiali taglienti o umidi.

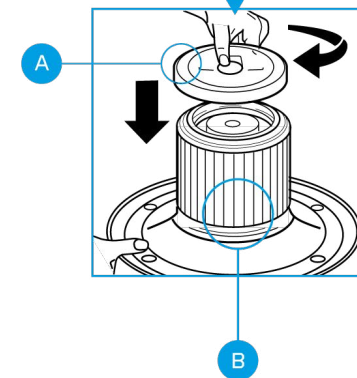


Posizionare il filtro (B) sulla carcassa del motore (C).

Montare il disco di plastica (A) sul filtro (B)



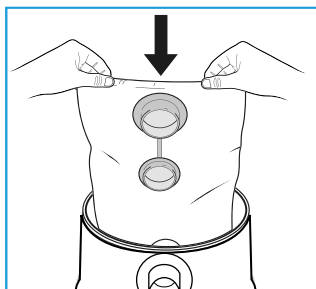
Si consiglia vivamente di utilizzare questo filtro per l'aspirazione di polvere e solidi; può essere utilizzato insieme al sacchetto di carta da filtro. Questo aiuta a prevenire l'intasamento dell'unità filtrante e ha il vantaggio di rendere lo smaltimento dei detriti aspirati rapido e sanitario. Evitare di utilizzarli per il taglio o per materiali umidi.



UTILIZZANDO IL SACCHETTO PER LA POLVERE

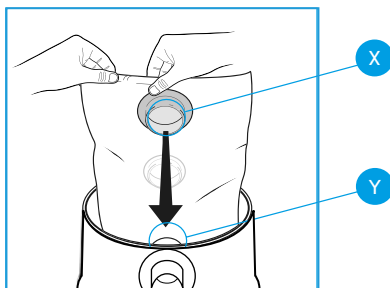


Utilizzare il sacchetto della polvere solo quando la cartuccia del filtro è installata. Per raccogliere la polvere di classe 'M' il sacchetto della polvere deve essere installato nell'apparecchio.



Inserire il sacchetto del filtro di carta nel tamburo di scarico.

Inserire la flangia di plastica (X) nel raccordo di ingresso dell'aria (Y). Fare attenzione a non danneggiare il sacchetto.



Utilizzare il sacchetto per rimuovere lo sporco in modo più igienico.

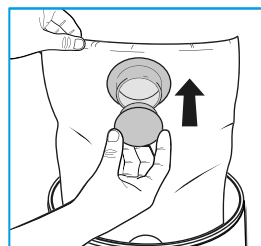
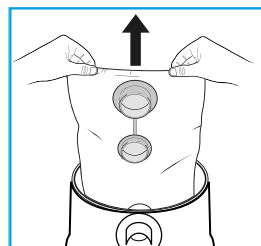
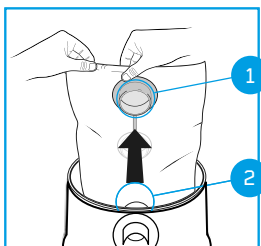
CAMBIARE IL SACCHETTO DELLA POLVERE



La borsa non deve essere riutilizzata e deve essere sempre cambiata.

Smaltire il sacchetto nel rispetto delle norme speciali per lo smaltimento dei rifiuti in vigore nel vostro paese

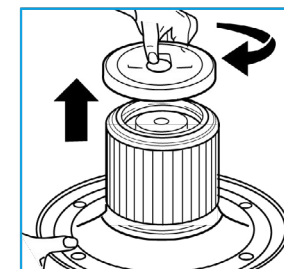
Rimuovere la flangia di plastica (1) dal connettore di ingresso dell'aria (2). Estrarre il sacchetto pieno. Chiudere la flangia di plastica con il tappo in dotazione.



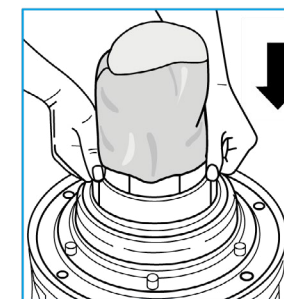
PER L'USO COME VUOTO UMIDO



Rimuovere sempre la cartuccia del filtro e il sacchetto del filtro di carta, se presente. Utilizzare il filtro a schiuma. Il filtro a schiuma non è adatto per l'aspirazione di polvere di classe 'M'.

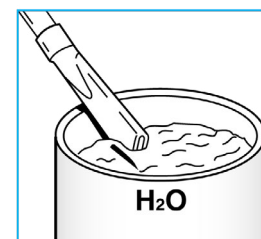


Quando i liquidi aspirati raggiungono il livello massimo all'interno del tamburo, l'aspirazione viene automaticamente interrotta dal galleggiante di sicurezza. L'utente viene avvisato da un aumento del numero di giri del motore e dalla mancanza di aspirazione. Spegnerne immediatamente l'apparecchio e svuotare il tamburo.



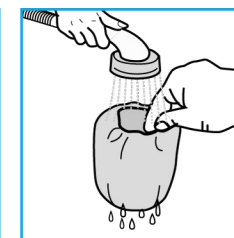
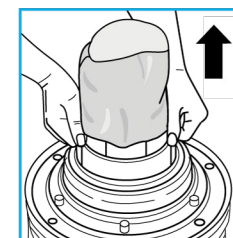
ASPIRAZIONE DI GRANDI QUANTITÀ DI LIQUIDO

Per garantire un flusso d'aria parziale, assicurarsi che l'utensile per fessure non sia mai completamente sommerso.



PULIZIA DELLA SCHIUMA FILTRO

Sciagquare il filtro a schiuma con acqua. **NON** usare detersivi. Sostituire se usurato o strappato.

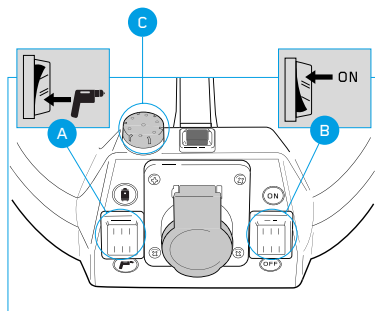




FUNZIONE "FILTRO AUTOPULENTE"

Con l'interruttore (B) in posizione "I", quando l'interruttore (A) è impostato sulla posizione "AUTOMATICO" si attiva la funzione di autopulizia del filtro.

Quando l'apparecchio è spento, continua a funzionare per 8/10 secondi, poi inizia la funzione di autopulizia del filtro.



Quando l'interruttore 'A' è impostato a MANUALE la funzione di autopulizia del filtro non è attiva.

MANUALE "FILTRO AUTOPULENTE"

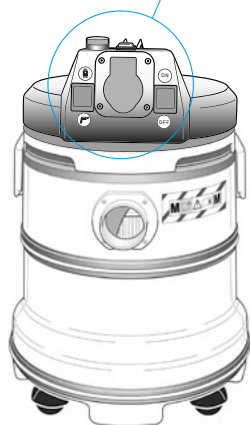
Spia luminosa (C) accesa: avviare manualmente la funzione "Autopulizia filtro"; premere l'interruttore arancione (E).

Per una corretta pulizia dell'elemento filtrante, seguire le istruzioni a pagina 130

Il funzionamento continuo del sistema "Filtro autopulente" per più di 60 secondi può causare l'intervento dell'interruttore di protezione termica.



Se la velocità dell'aria scende sotto i 20 m/sec., si accende la spia luminosa (secondo IEC/EN 60335-2-69)



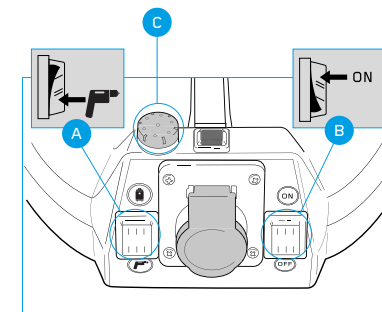
UTENSILI ELETTRICI

PER UTILIZZO CON L'ELETTROUTENSILE

Selettore (A): in posizione "AUTOMATICO".

Selettore di potenza (B): posizione "I" - Apparecchio acceso.

L'apparecchio funziona in sincronia con l'utensile elettrico.



COLLEGAMENTO DI UN ELETTROUTENSILE ALL'ASPIRAPOLVERE

Inserire l'utensile elettrico nella presa dell'unità motore (A)
Inserire il vuoto nell'alimentatore (B).

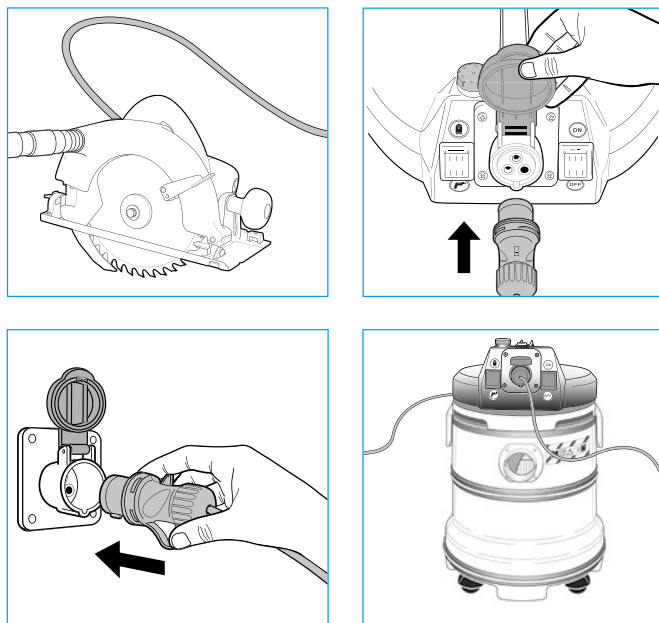
La presa di corrente è adatta per il collegamento di utensili elettrici con una potenza massima consentita come indicato a pagina 116 - Dati tecnici

MAI collegare gli elettrodomestici con una potenza superiore

Non inserire MAI più di un elettrodomestico nella presa dell'unità motore

Collegare l'utensile elettrico, poi il vuoto. Con il serracavo, fissare il cavo dell'elettrodomestico al tubo flessibile.

Accendere l'apparecchio.

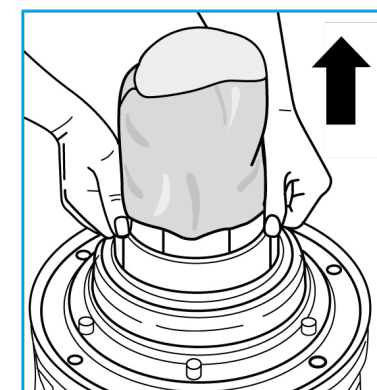
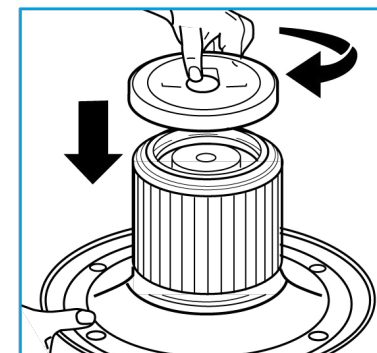


PER USARE UN ATTREZZO ELETTRICO CON IL VUOTO



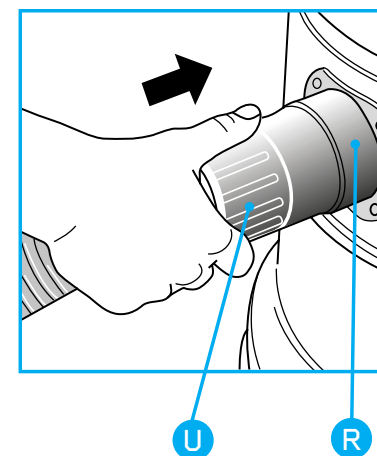
La cartuccia del filtro deve essere sempre attaccata. Rimuovere il filtro a schiuma, se installato.

Mantenere sempre il sistema di filtraggio in buone condizioni di funzionamento per garantire un funzionamento efficiente. Si consiglia di pulire frequentemente la cartuccia filtro come illustrato a pagina 130



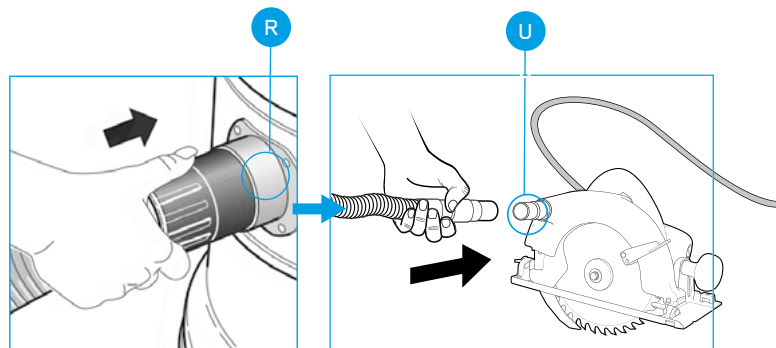
ATTACCHIARE IL TUBO FLESSIBILE

Collegare il connettore del tubo flessibile (U) al connettore di ingresso dell'aria (R).



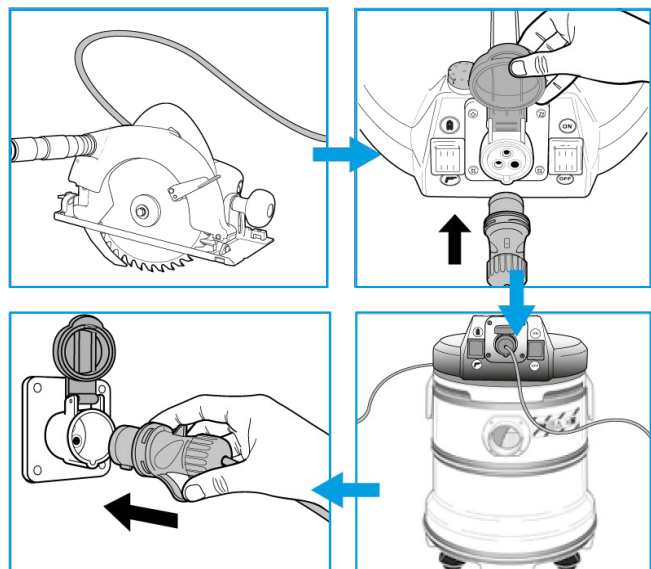


Inserire il manicotto del tubo flessibile nel connettore di ingresso dell'aria (R) e l'adattatore (U) nel trasportatore di polvere dell'elettrotensile.



Collegare l'utensile elettrico, poi il vuoto. Con il serracavo, fissare il cavo dell'elettrotensile al tubo flessibile.

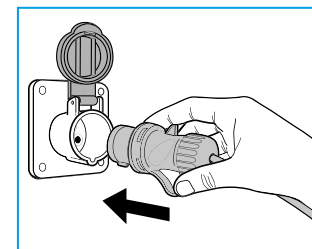
Accendere l'apparecchio.



MANUTENZIONE



Scollegare sempre l'apparecchio dalla rete elettrica prima di effettuare qualsiasi operazione di pulizia o di manutenzione del sistema di filtraggio.



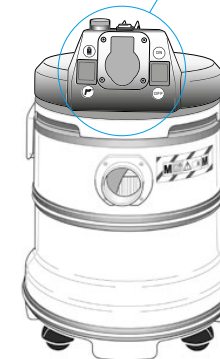
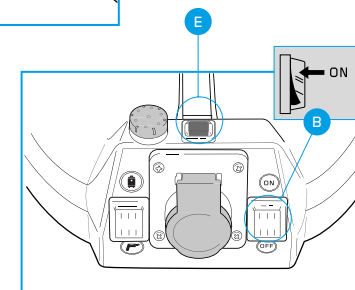
CARTUCCIA FILTRO

Per avviare manualmente la funzione "Autopulizia filtro", premere l'interruttore arancione (E) per massimo 15÷20 secondi. Quindi rilasciare l'interruttore (E) per 15 secondi; la bobina deve raffreddarsi. La bobina che attiva il sistema "Autopulizia filtro" è dotata di un interruttore di protezione termica.

Il funzionamento continuo del sistema per più di 60 secondi può causare l'intervento dell'interruttore di protezione termica.

Il sistema si resetta dopo circa 20 minuti.

Interruttore "A" su "MANUAL" = funzione filtro autopulente non attiva (vedi pagina 124)





PULIZIA DEL FILTRO

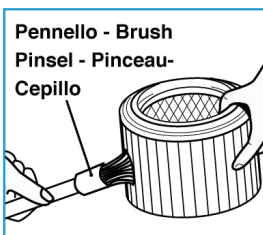
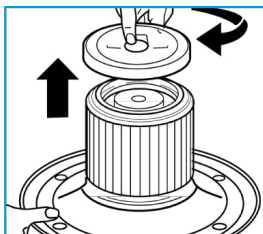
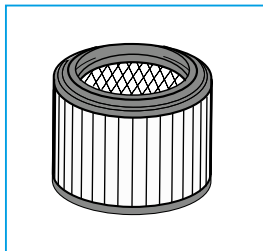
Per pulire a fondo la cartuccia filtro, lavarla come indicato in figura.

Prima di rimettere la cartuccia filtro, assicurarsi che sia completamente asciutta.

Sostituire la cartuccia filtro solo se usurata.

Smaltire l'elemento filtrante nel rispetto delle norme speciali per lo smaltimento dei rifiuti in vigore nei vari paesi.

L'elemento filtrante può essere pulito e lavato solo se è stata aspirata polvere generica e non di classe 'M'.



Maneggiare con cura la cartuccia del filtro quando è bagnata.



Non utilizzare un filtro che sia stato lavato per aspirare la polvere di classe 'M'.



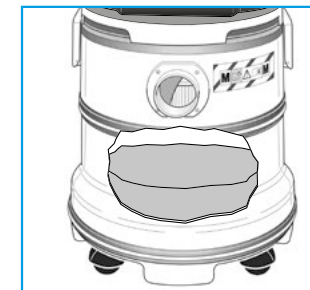
PULIZIA DEL TAMBURO

Dopo aver aspirato i liquidi, svuotare il tamburo e sciacquarlo insieme agli accessori per evitare la formazione di incrostazioni.

Lavare frequentemente la sede in cui scorre il galleggiante di sicurezza per garantire il corretto funzionamento.

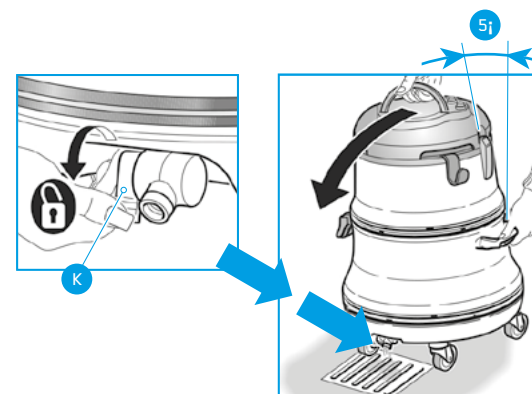
Prima di aspirare di nuovo la polvere di classe 'M' assicurarsi che l'elemento filtrante e il sacco siano montati.

Lavare il cestello dopo ogni utilizzo.



SOLO MODELLO DV50

Aprire il rubinetto di scarico del liquido (K). Per svuotare completamente il contenitore, ribaltarlo di 5° come mostrato in figura.





RISOLUZIONE DEI PROBLEMI

Problemi	Cause	Soluzioni
L'apparecchio non iniziare	Nessun potere Cavo di alimentazione, interruttori o motore difettosi.	Controllare che la presa di corrente sia funzionante Contattate il vostro centro di assistenza tecnica (vedi elenco allegato).
Ridotto Efficienza	Tamburo troppo pieno La cartuccia del filtro è sporca o cotta. Tubo o accessori intasati.	Tamburo vuoto Pulire accuratamente o sostituire il filtro, Controllare il tubo flessibile o gli accessori.
Il numero di giri del motore è notevolmente più alto.	Tamburo troppo pieno. La cartuccia del filtro è sporca o incastrata. Tubo o accessori intasati.	Controllare il tamburo. Pulire accuratamente o sostituire il filtro, Controllare il tubo flessibile o gli accessori.
L'apparecchio non si avvia in modalità "power tool".	Circuito difettoso.	Contattate il vostro centro di assistenza tecnica (vedi elenco allegato).



Non smaltire gli apparecchi elettrici con rifiuti domestici!

In conformità con la Direttiva Europea 2012/19/UE sui rifiuti di apparecchiature elettriche ed elettroniche (RAEE) e la sua attuazione in conformità con la legislazione nazionale, gli utensili elettrici che hanno raggiunto la fine del loro ciclo di vita devono essere raccolti separatamente e restituiti a un impianto di riciclaggio compatibile con l'ambiente.

DICHIARAZIONE "EC" DI CONFORMITÀ"

Il produttore dichiara che i prodotti descritti in queste istruzioni

MV DV20 MB | MV DV35 MB | MV DV50 MB

Rispettare i requisiti essenziali delle direttive europee:

2014/35 / EU 2014/30 EU 2011/65 / EU

ed è conforme alle norme

EN 60335-1: 2012 + A11: 2014

EN 60335-2-69:2012

EN 62233: 2008

EN 55014-1: 2006 + A1: 2009 + A2: 2011

EN 55014-2: 2015

EN 61000-3-2: 2014

EN 61000-3-3: 2014

Questa dichiarazione è stata redatta nell'ottobre 2016.



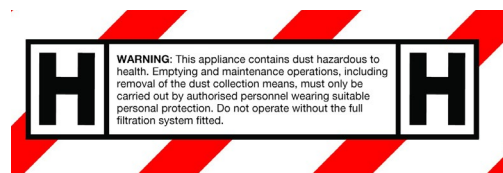
ESPAÑOL

INSTRUCCIÓN MANUAL

ADVERTENCIAS	135
DESCRIPCIÓN SÍMBOLOS INSTRUCCIONES	141
CLAVE DE LOS SÍMBOLOS	141
ESPECIFICACIONES TÉCNICAS	142
ACCESORIOS	143
OPERACIÓN	145
SISTEMAS DE FILTROS	147
HERRAMIENTAS ELÉCTRICAS	151
MANTENIMIENTO	155
SOLUCIÓN DE PROBLEMAS	158
DECLARACIÓN DE CONFORMIDAD DE LA UE	159



ADVERTENCIAS



Los aparatos descritos en este manual son adecuados para:

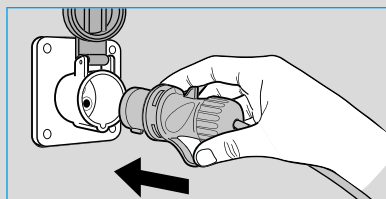
- Aspirando polvo y líquidos.
- Uso profesional (por ejemplo, hoteles, escuelas, hospitales, fábricas, tiendas, oficinas y agencias de alquiler).
- La Categoría 'M' es adecuada para la separación de polvos secos (siempre que no sean explosivos, inflamables y/o cancerígenos) con una permeabilidad máxima $<0,1\%$ y MAC (Concentración Máxima Permitida) $\geq 0.1 \text{ mg/m}^3$.

Carefully keep this instruction manual.

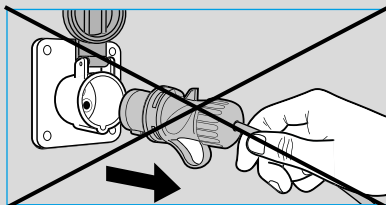
- Un aparato eléctrico no es un juguete. Úselo y guárdelo fuera del alcance de los niños. Los niños deben ser supervisados para asegurarse de que no jueguen con el aparato.
- Mantenga los componentes del embalaje (caja de cartón, protecciones PSE, etc.) fuera del alcance de los niños.
- Este aparato no ha sido diseñado para ser utilizado por personas (incluyendo niños) con facultades físicas, sensoriales y mentales reducidas, o que no hayan leído primero este manual de instrucciones.
- Este aparato ha sido diseñado para funcionar sólo con corriente alterna. Antes de poner en marcha el aparato, compruebe que la tensión de la red eléctrica se corresponde con la indicada en la placa de datos.
- Compruebe que la instalación eléctrica esté equipada con un interruptor diferencial (tipo desconexión automática)



- Utilice un cable alargador sólo si está en perfectas condiciones y asegúrese de que la sección transversal es apropiada para la potencia del aparato más la potencia de la herramienta eléctrica.
- Nunca deje el aparato funcionando sin supervisión.
- Si el aire de descarga se libera de nuevo en el entorno de trabajo, debe tener un suficiente índice de intercambio de aire de clase “M”. Con el fin de observar el límite requerido el flujo debe ser como máximo el 50% del flujo de aire fresco (volumen del medio ambiente VR por el índice de intercambio de aire LW). También cumple con el reglamentos en vigor.
- Activar la función de “filtro autolimpiante” durante un tiempo máximo de 60 segundos.
- Desenrolle completamente el cable de alimentación antes de poner en marcha el aparato.



- Conecte el aparato sólo a tomas de corriente con una capacidad mínima de 10A para activar la toma de corriente.



- No tire del cable de alimentación ni del aparato para sacar el enchufe de la toma de corriente.

Riesgo de caída:

No se suba o se sienta en la cubierta del aparato.



ADVERTENCIAS

- No apunte la manguera de aspiración a los oídos, los ojos, el pelo, las personas o los animales en general.
- Durante el transporte del aparato, el motor debe estar apagado. Asegúrese también de que el aparato no pueda dispersar el polvo en el ambiente y que esté en una posición estable
- Apague la máquina en caso de alta emisión de polvo, fuego o humo. El uso del aparato sólo está permitido después de que sea revisado y reparado por una persona autorizada.
- Desenchufe siempre el enchufe de la toma de corriente inmediatamente después de su uso y antes de realizar cualquier tipo de limpieza o mantenimiento en el aparato.

Nunca utilice el aparato:

- con las manos mojadas o húmedas;
- si se ha caído y presenta signos de rotura evidentes o anomalías en el funcionamiento;
- si la clavija o el cable de alimentación eléctrica presenta defectos.



Limpie el aparato solo con agua.
No utilice trielina, disolventes ni
detergentes abrasivos.



- Las reparaciones sólo pueden ser llevadas a cabo por especialistas que conserven las piezas de repuesto originales suministradas por el fabricante. Reparar el aparato usted mismo puede ser extremadamente peligroso.
- De acuerdo con la normativa vigente, los aparatos que deban desecharse deben inutilizarse cortando el cable de alimentación antes de su eliminación.
- El aparato debe descontaminarse mediante métodos de limpieza con aspiradora y limpiarse o tratarse con sellador antes de sacarlo de una zona peligrosa. Todas las demás piezas del aparato se considerarán contaminadas cuando se saquen de la zona peligrosa y se tomen las medidas adecuadas para evitar la dispersión del polvo.
- Durante la limpieza y el mantenimiento, se recomienda utilizar siempre dispositivos de protección personal (guantes y mascarilla) según lo dispuesto en las normas nacionales vigentes.
- Antes de proceder a las operaciones de mantenimiento, se recomienda encarecidamente descontaminar primero el aparato aspirando aire limpio durante unos minutos y limpiarlo por fuera.
- El mantenimiento y la limpieza deben realizarse en un local con una ventilación adecuada y de manera que no se ponga en peligro a los operarios o a otras personas.
- Limpie el lugar donde se realiza el mantenimiento para evitar que se dispersen sustancias peligrosas en el medio ambiente.
- Durante las operaciones de mantenimiento, reparación y eliminación, deben eliminarse todas las partes contaminadas del aparato que no puedan limpiarse por completo; colóquelas en bolsas impermeables de acuerdo con las normas nacionales vigentes para la eliminación de residuos especiales.
- Para una correcta eliminación, es aconsejable indicar en la bolsa impermeable qué sustancias han sido aspiradas.



ADVERTENCIAS

- Se recomienda realizar una inspección técnica del aparato al menos una vez al año para comprobar la estanqueidad de los sellos y el buen funcionamiento de los mecanismos de control, a fin de poder detectar posibles fallos de funcionamiento. Comprobar diariamente la integridad del sistema de filtrado.
- Este aparato ha sido diseñado para ser utilizado por personas debidamente capacitadas, específicamente en lo que respecta a la limpieza y el mantenimiento del aparato, los riesgos derivados de los materiales aspirados y su correcta eliminación, y la sustitución de las piezas de repuesto de acuerdo con las directivas vigentes en los distintos países.



Si el cable de alimentación estuviera dañado deberá ser sustituido por el fabricante o por su servicio de asistencia técnica, o bien por una persona debidamente cualificada a fin de prevenir todo riesgo.

- No aspirar sustancias inflamables, potencialmente explosivas o corrosivas y cenizas incandescentes. Estas sustancias pueden comprometer la seguridad y el funcionamiento del aparato.
- No coloque nunca el cable de alimentación sobre bordes afilados, no lo aplaste y manténgalo alejado de los cepillos eléctricos rotativos
- Utilice la toma de corriente de la máquina sólo para los fines especificados en la instrucciones.
- Para las herramientas eléctricas conectadas a la toma de la aspiradora, siga las instrucciones de uso relativas.
- En caso de fugas (espuma o líquido), apague inmediatamente el aparato.



PRECAUCIÓN

- Este aparato debe guardarse exclusivamente en lugares cerrados.
- Limpie frecuentemente el alojamiento donde se desliza el flotador de seguridad y examínelo frecuentemente para comprobar su integridad.
- No utilice el aparato con el sistema filtrante dañado.
- aspire líquidos sólo si no están presentes polvos de clase 'M'.

RECUERDE QUE

- caso de que sustancias potencialmente peligrosas entraran en contacto con los ojos y la piel, aclárelos con agua corriente y acuda a un centro especializado.
- En caso de inhalación o ingestión de sustancias peligrosas, llame a un médico. No provoque el vómito para que no se contaminen los pulmones; se aconseja aclarar la boca sin ingerir agua.
- Si, en caso de vómito espontáneo, se supone que se han aspirado sustancias potencialmente peligrosas, acuda inmediatamente a un hospital.

El fabricante declina toda responsabilidad en caso de uso inapropiado, incumplimiento de las instrucciones proporcionadas, alteración o mantenimiento inadecuado del aparato.



SÍMBOLOS

DESCRIPCIÓN SÍMBOLOS INSTRUCCIONES



Lea
las instrucciones
antes de usar el
aparato



Atención
indica una
situación de
potencial peligro



Nota
advertencia para
el uso correcto



**Manual del
operador**
Instrucciones
para el
funcionamiento

LEYENDA DE SÍMBOLOS



Toma para
herramientas
eléctricas



Conexión
para
herramientas
neumáticas



Aspirador
de polvo/
Aspirador de
líquidos



Función de
autolimpieza
del filtro



Profesional



Empalme de
soplado



Industrial

TECHNICAL SPECIFICATIONS

	DV20	DV35	DV50
El voltaje de la fuente de alimentación	230/110 V~	230/110 V~	230/110 V~
Frecuencia	50/60 Hz	50/60 Hz	50/60 Hz
Potencia nominal	1200 W	1200 W	1200 W
Flujo de aire máximo aprox.	60 L/sec	60 L/sec	60 L/sec
Potencia total instalada (vacío + herramientas eléctricas)	230v = 3200 110v = 2200	230v = 3200 110v = 2200	230v = 3200 110v = 2200
Tambor hecho de			
Capacidad nominal del tambor	20	35	50
Succión máxima aprox.	240 kPa	240 kPa	240 kPa
Clase de aislamiento del motor			
Clase de aislamiento del aparato (W)	I	I	I
Índice de protección	IPX4	IPX4	IPX4
Máxima potencia del enchufe de la herramienta eléctrica	230v = 2000 110v = 1000	230v = 2000 110v = 1000	230v = 2000 110v = 1000
Retraso después de la carrera	Yes	Yes	Yes
Mecanismo de limpieza automática del filtro	Auto	Auto	Auto
Cable de alimentación eléctrica tipo	3G HO7RN-7	3G HO7RN-7	3G HO7RN-7
Dimensiones embalaje aprox.	400 x 400 x 540 mm	430 x 430 x 660 mm	480 x 480 x 735 mm
Peso aparato embalado aprox.	11.5 Kg	12 Kg	13.5 Kg
El peso del dispositivo	8.6 Kg	9 Kg	10 Kg
Nivel de presión sonora continuo y ponderado	< 68 ± 2 dB(A)	< 68 ± 2 dB(A)	< 68 ± 2 dB(A)

*Peso de acuerdo con el procedimiento EPTA 01/2003

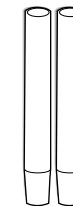
ACCESSORIES



DV-ACC-113
Tubo flexible
ø36 mm para
herramientas
eléctricas con
adaptador
pluridiámetro.



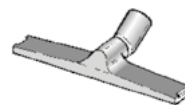
DV-ACC-112
Tubo flexible
ø45 mm con
empuñadura
ergonómica y
regulador de
flujo



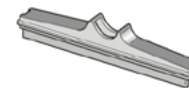
DV-ACC-115
Tubos rígidos de
plástico.



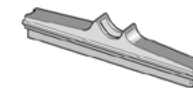
DV-ACC-104
Boquilla
rinconera.



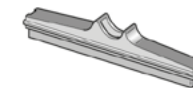
DV-ACC-114
Bastidor
para cepillo
combinado.



DV-ACC-102
Accesorio
recolector de
líquidos.



DV-ACC-101
Accesorio para
suelos duros.



DV-ACC-100
Accesorio para
las alfombras



DV-ACC-124

Adaptador multidiámetro.



DV-ACC-105

Accesorio triangular.



DV-ACC-110

Cepillo redondo.



DV-ACC-106

Filtro de espuma para sustancias líquidas.



DV-ACC-125

Abrazadera de sujeción del cable de alimentación eléctrica del dispositivo eléctrico.



DV-ACC-109

Filtro con cartucho "IFA" cat. H. para DV 20/35/50



DV-ACC-111

Pre-filtro.



DV-ACC-302

Bolsa filtrante de vellón de doble capa "IFA" Clase "M". para DV20



DV-ACC-107

Bolsa de filtro de papel de doble capa "IFA" Clase "M". para DV35



DV-ACC-107

Bolsa filtrante de vellón de doble capa "IFA" Clase "M". para DV35



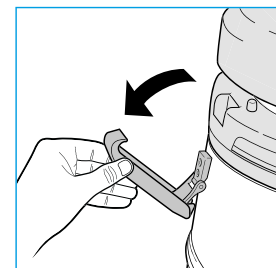
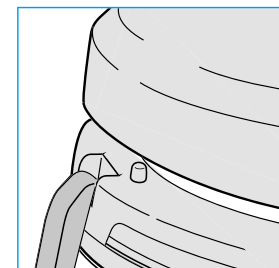
DV-ACC-107

Bolsa filtrante de vellón de doble capa "IFA" Clase "M". para DV35

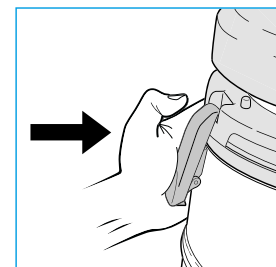
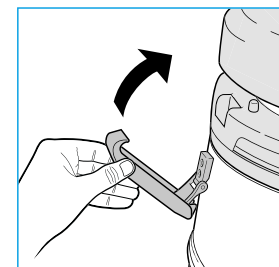


USO DEL APARATO

DESMONTAJE DEL MOTOR

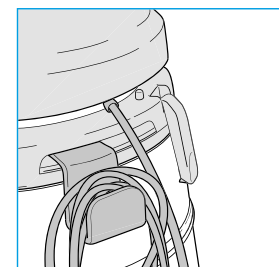


Para desmontar el motor.



Para montar el motor.

GANCHO SUJETA CABLE



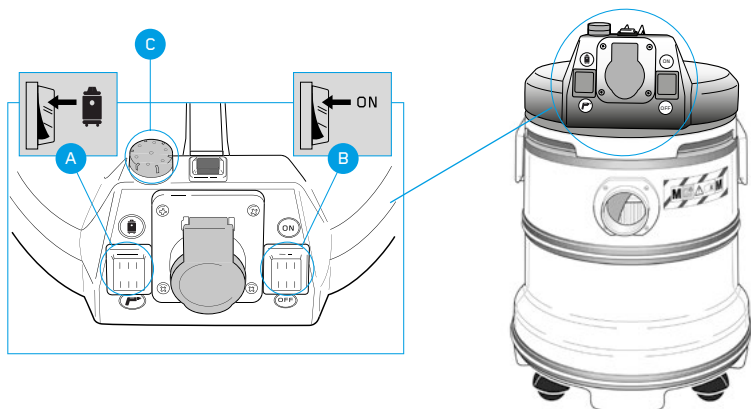


PARA SU USO COMO ASPIRADORA EN HÚMEDO O EN SECO

Interruptor selector (A): en posición "MANUAL".

Interruptor de encendido (B): posición "O" - Aparato apagado / posición "I" - Aparato encendido.

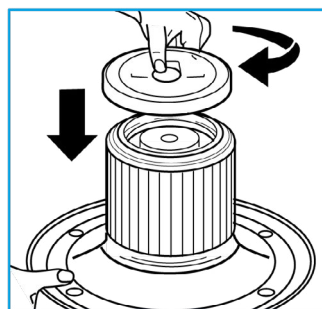
Luz de advertencia (C): si el sistema de filtro o la manguera flexible están obstruidos, la luz de advertencia se enciende.



PARA SU USO COMO UNA ASPIRADORA EN SECO

El cartucho de filtro debe usarse siempre.

Mantenga el cartucho de filtro limpio. Reemplácelo si está demasiado endurecido o desgastado.



SISTEMAS DE FILTRADO

USANDO EL FILTRO



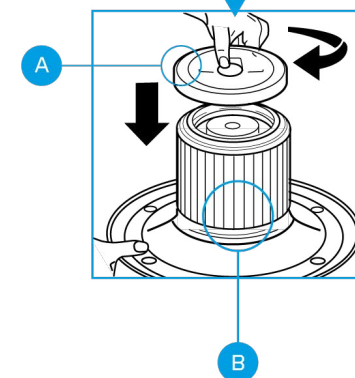
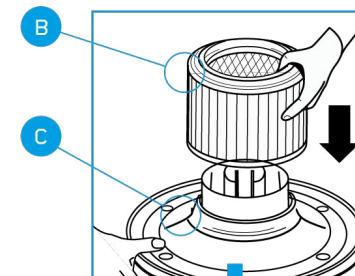
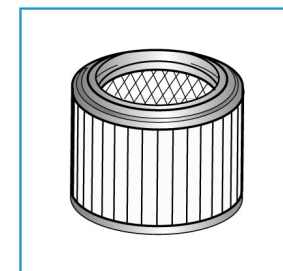
Para aspirar el polvo de clase 'M' siempre se utiliza el elemento filtrante. Evite usar el filtro para materiales filosos o húmedos.

Coloque el filtro (B) en el alojamiento del motor (C).

Coloque el disco de plástico (A) en el filtro (B)



Recomendamos encarecidamente el uso de este filtro cuando se aspira polvo y sólidos; puede utilizarse junto con la bolsa de papel filtro. Esto ayuda a evitar que la unidad de filtro se obstruya, y tiene la ventaja de hacer que la eliminación de los desechos aspirados sea rápida e higiénica. Evite usarlos para cortar o humedecer materiales.

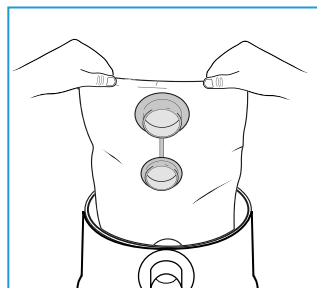




USING THE DUST BAG

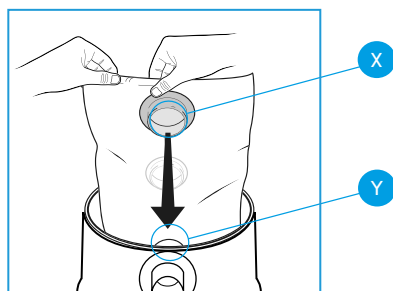


Utilice la bolsa de polvo sólo cuando el cartucho de filtro esté instalado. Para recoger el polvo de la clase 'M' la bolsa de polvo debe estar instalada en el aparato



Inserte la bolsa de filtro de papel en el tambor de desechos.

Encaje la brida de plástico (X) en el conector de entrada de aire (Y). Tenga cuidado de no dañar la bolsa.



Utilice la bolsa para eliminar la suciedad de forma más higiénica.

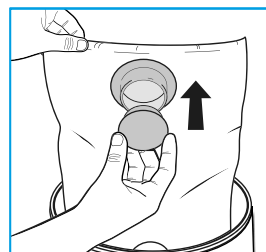
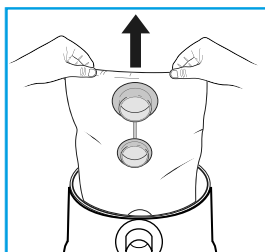
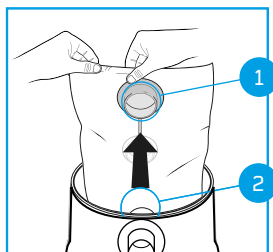
CAMBIAR LA BOLSA DE POLVO



Deshágase de la bolsa de acuerdo con las normas de eliminación de residuos especiales vigentes en su país

La bolsa de papel no debe ser nunca reutilizada, sino sólo reemplazada.

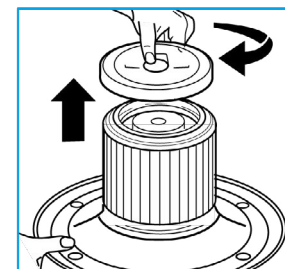
Remove the plastic flange (1) from the air inlet connector (2). Take out the full bag. Close the plastic flange with the cap provided.



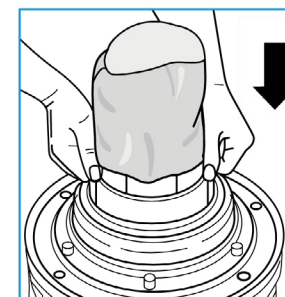
PARA USO COMO VACÍO DE LEY



Retire siempre el cartucho de filtro y la bolsa de papel del filtro, si está instalada. Utilice el filtro de espuma. El filtro de espuma no es adecuado para aspirar polvo de clase 'M'.

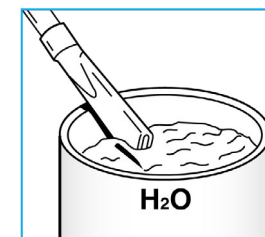


Cuando los líquidos aspirados alcanzan el nivel máximo dentro del tambor, la succión se corta automáticamente por el flotador de seguridad. El usuario es alertado por un aumento en la velocidad del motor y la falta de succión. Apague el aparato inmediatamente y vacíe el tambor.



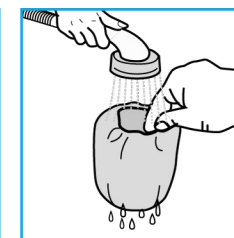
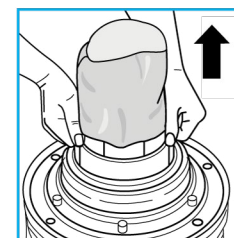
ASPIRANDO GRANDES CANTIDADES DE LÍQUIDO

Para asegurar el flujo de aire parcial, asegúrate de que la herramienta de grietas nunca esté completamente sumergida.



LIMPIANDO LA ESPUMA FILTRO

Enjuague el filtro de espuma con agua. **NO** use detergente. Reemplácelo si está desgastado o roto.

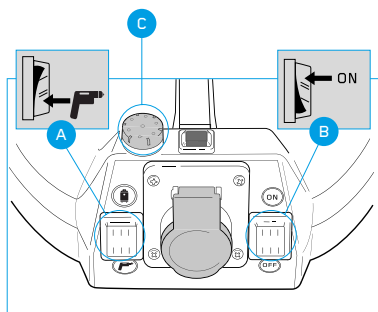




FUNCIÓN DE "FILTRO AUTOLIMPIANTE"

Con el interruptor (B) en la posición "I", cuando el interruptor (A) está en la posición "AUTOMÁTICA" se activa la función de filtro de autolimpieza.

Cuando se apaga el aparato, éste seguirá funcionando durante 8/10 segundos, y entonces comenzará la función de filtro autolimpicante.



Cuando el interruptor 'A' está ajustado a MANUAL la función de filtro de auto-limpieza no está activa.

MANUAL DEL "FILTRO AUTOLIMPIANTE"

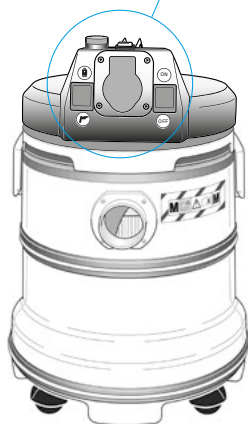
Luz de advertencia (C) encendida: iniciar manualmente la función "Filtro autolimpicante"; pulsar el interruptor naranja (E).

Para una correcta limpieza del elemento filtrante, siga las instrucciones de la página 156

El funcionamiento continuo del sistema de "Filtro autolimpicante" durante más de 60 segundos puede hacer que se dispare el interruptor de protección térmica.



Si la velocidad del aire desciende por debajo de 20 m/seg., se enciende la luz de advertencia (de acuerdo con la norma IEC/EN 60335-2-69)



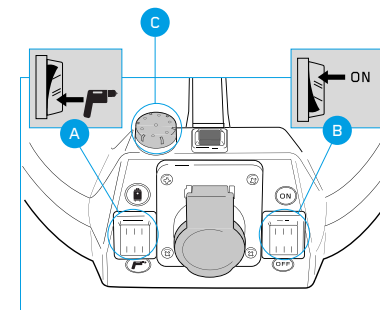
HERRAMIENTAS ELÉCTRICAS

PARA USO CON HERRAMIENTA ELÉCTRICA

Interruptor selector (A): en posición "AUTOMÁTICA".

Interruptor de encendido (B): posición "I" - Aparato encendido.

El aparato funciona en sincronía con la herramienta eléctrica.





CONECTAR UNA HERRAMIENTA ELÉCTRICA A LA ASPIRADORA

Enchufe la herramienta eléctrica en el enchufe de la unidad del motor (A)
Enchufe la aspiradora en la fuente de alimentación (B).

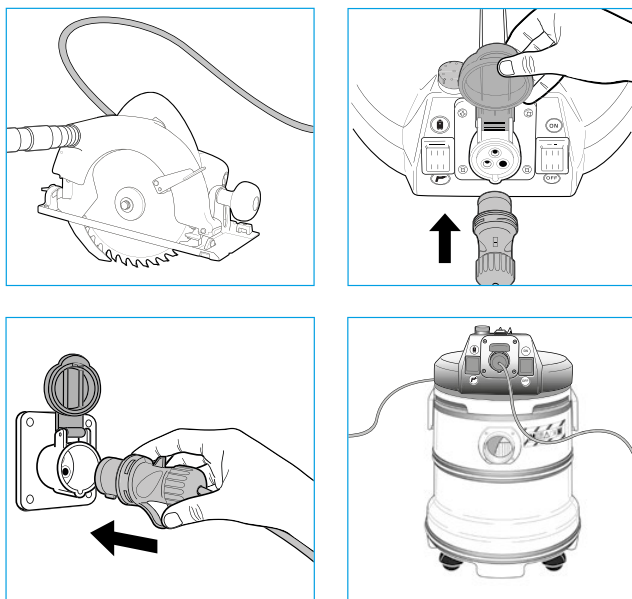
La toma de corriente es adecuada para la conexión de herramientas eléctricas con una potencia máxima permitida como se indica en la página 142 - Datos técnicos

NUNCA enchufe herramientas eléctricas con una clasificación más alta

NUNCA enchufe más de una herramienta eléctrica en el enchufe de la unidad del motor.

Enchufa la herramienta eléctrica y luego la aspiradora. Con la abrazadera del cable, fije el cable de la herramienta eléctrica a la manguera flexible.

Encienda el aparato.

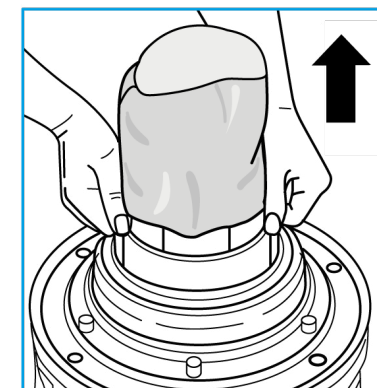
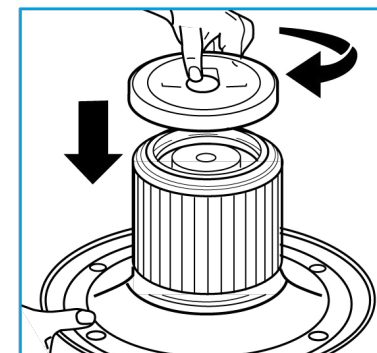


PARA USAR UNA HERRAMIENTA ELÉCTRICA CON EL VACÍO



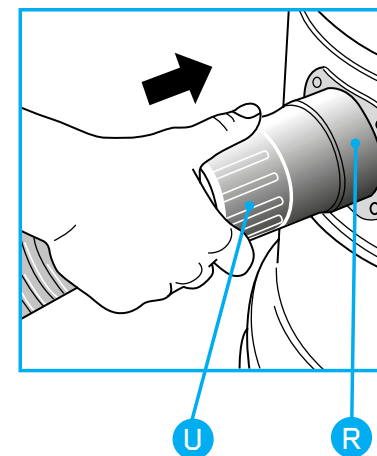
El cartucho de filtro debe estar siempre colocado. Retire el filtro de espuma si está instalado.

Mantenga siempre el sistema de filtros en buen estado de funcionamiento para asegurar una operación eficiente. Recomendamos que se limpie el cartucho de filtro con frecuencia como se ilustra en la página 156



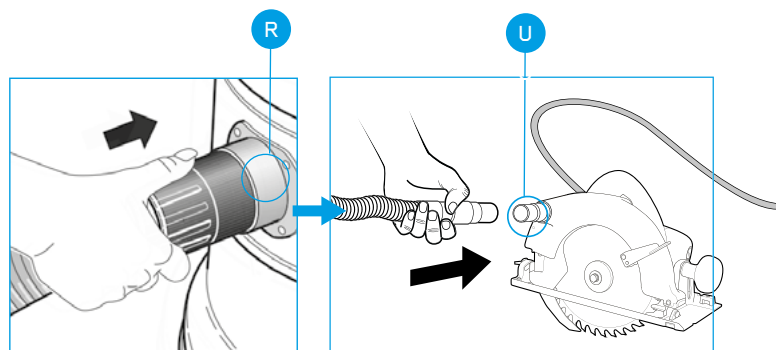
ACOPLAMIENTO DE LA MANGUERA FLEXIBLE

Conecte el conector de la manguera flexible (U) al conector de entrada de aire (R).



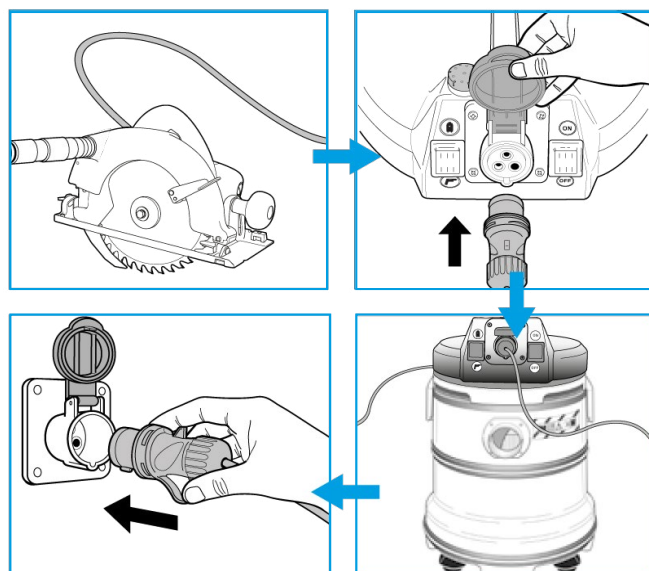


Inserte el manguito de la manguera flexible en el conector de entrada de aire (R) y el adaptador (U) en el transportador de polvo de la herramienta eléctrica.



Enchufa la herramienta eléctrica y luego la aspiradora. Con la abrazadera del cable, fije el cable de la herramienta eléctrica a la manguera flexible.

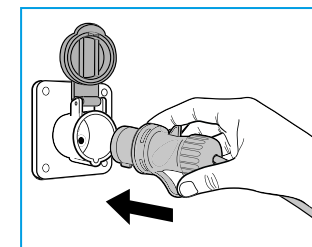
Encienda el aparato.



MANTENIMIENTO



Desconecte siempre el aparato de la fuente de alimentación antes de limpiar o realizar cualquier tipo de mantenimiento en el sistema de filtros.



CARTUCHO DE FILTRO

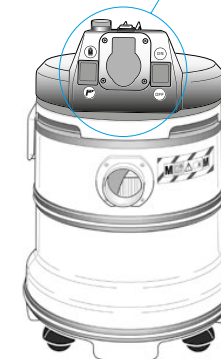
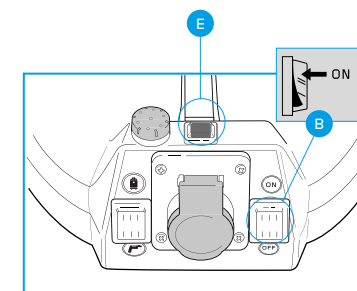
Para iniciar manualmente la función de “Filtro autolimpiante”, pulse el interruptor naranja (E) durante un máximo de 15÷20 segundos.

Luego suelte el interruptor (E) durante 15 segundos; la bobina debe enfriarse. La bobina que activa el sistema de “Filtro autolimpiante” está equipada con un interruptor de protección térmica.

El funcionamiento continuo del sistema durante más de 60 segundos puede hacer que el interruptor de protección térmica se dispare.

El sistema se reinicia después de unos 20 minutos.

Cambie “A” a “MANUAL”= La función del filtro autolimpiante no está activa (vea la página 150)



Para limpiar a fondo el cartucho de filtro, lávelo como se muestra en la figura.

Antes de volver a colocar el cartucho de filtro, asegúrese de que esté completamente seco.

Cambie el cartucho de filtro sólo si está gastado.

Deseche el elemento filtrante de acuerdo con las normas de eliminación de residuos especiales vigentes en los distintos países.

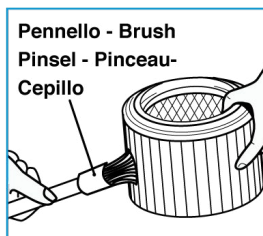
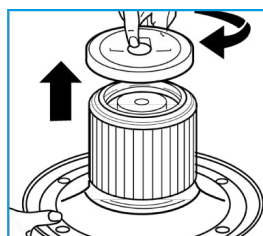
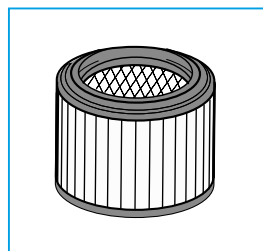
El elemento filtrante sólo puede limpiarse y lavarse cuando se haya aspirado polvo genérico y no de la clase 'M'.



Manipule el cartucho de filtro con cuidado cuando esté mojado.



No use un filtro que haya sido lavado para aspirar polvo de clase 'M'.



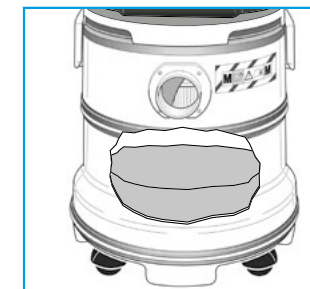
LIMPIANDO EL TAMBOR

Después de aspirar los líquidos, vacíe el tambor y enjuáguelo junto con los accesorios para evitar la formación de incrustaciones.

Lavar frecuentemente el asiento donde se desliza el flotador de seguridad para asegurar su correcto funcionamiento.

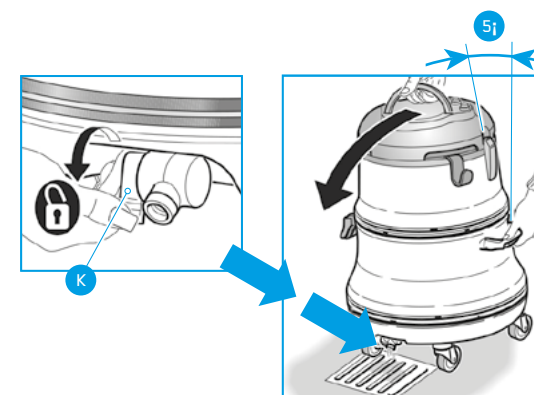
Antes de aspirar polvo de clase 'M' de nuevo, asegúrese de que el elemento filtrante y la bolsa estén colocados.

Lave el tambor después de cada uso.



SÓLO EL MODELO DV50

Abra el grifo de descarga de líquido (K). Para vaciar completamente el contenedor, inclínelo 5° como se muestra en el diagrama.





SOLUCIÓN DE PROBLEMAS

Problemas	Causas	Soluciones
El aparato no empezar	No hay energía Cable de alimentación, interruptores o motor defectuosos.	Comprueba que la toma de corriente funciona Póngase en contacto con su centro de servicio técnico (véase la lista adjunta).
Reducido Eficiencia	Tambor demasiado lleno El cartucho de filtro está sucio o apelmazado. Tubo o accesorios obstruidos.	Tambor vacío Limpia a fondo o cambia el filtro, Revise la manguera o los accesorios.
La velocidad de las RPM del motor es notablemente mayor.	El tambor está demasiado lleno. El cartucho de filtro está sucio o atascado. Tubo o accesorios obstruidos.	Revise el tambor. Limpie a fondo o cambie el filtro, Revise la manguera o los accesorios.
El aparato no arrancará en el modo "herramienta eléctrica".	Placa de circuito defectuosa.	Póngase en contacto con el centro de servicio técnico (véase la lista adjunta).



No tire los aparatos eléctricos con ¡Desechos domésticos!

En cumplimiento de la Directiva Europea 2012/19/UE sobre residuos de aparatos eléctricos y electrónicos (RAEE) y su aplicación de acuerdo con la legislación nacional, las herramientas eléctricas que han llegado al final de su ciclo de vida deben ser recogidas por separado y devueltas a una instalación de reciclaje compatible con el medio ambiente.

DECLARACIÓN "EC" DE CONFORMIDAD"

El fabricante declara que los productos descritos en estas instrucciones

MV DV20 MB | MV DV35 MB | MV DV50 MB

Cumplir con los requisitos esenciales de las directivas europeas:

2014/35 / EU 2014/30 EU 2011/65 / EU

y está de acuerdo con las normas

EN 60335-1: 2012 + A11: 2014

EN 60335-2-69:2012

EN 62233: 2008

EN 55014-1: 2006 + A1: 2009 + A2: 2011

EN 55014-2: 2015


EN 61000-3-2: 2014

EN 61000-3-3: 2014

Esta declaración fue redactada en octubre de 2016.



MAXVAC

 Mülibodenstrasse 3
CH-8172 Niederglat
Zürich, Schweiz

 +41(0) 43 411 4195

 max-vac.com